



COMMERCIAL VEHICLE AUCTIONS LTD
THE UK'S MOST ESTABLISHED COMMERCIAL VEHICLE AUCTIONEERS

Carr Hill Industrial Estate
Doncaster
DN4 8DE

01302 732600 | cva.noreply@cva-auctions.co.uk

VEHICLE INSPECTION REPORT

PE17HMU

Daf CF 440

Inspection		Vehicle	
Serious Damage?	No	VAT	Plus VAT
		V5	Present

Details					
Reg. date	01/03/2017	Colour	RED	Gearbox	AUTOMATIC
Year	2017	VIN	XLRTGM4100G148745	Axle Combi	6x2
Mileage	1,194,054 Km Warranted	Body Style	Tractor Unit	Steering Combi	Mid-Lift Steer
Fuel Type	Diesel	MOT Due	30/04/2027	Rear Suspension	Air
GVW	44000kg	Cab Type	SLEEPER CAB		

COLLECTED AS NON RUNNER - 5TH WHEEL, COMPRESSOR, AIR TANKS AND CAB REQUIRE ATTENTION

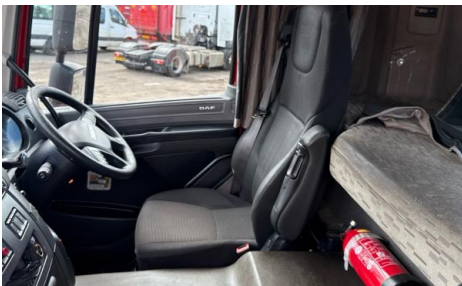
Tyres				
NSF	NSI1	NSI2	NSI3	NSI4
OSF	OSI1	OSI2	OSI3	OSI4
Spare	NSO1	NSO2	NSO3	NSO4
	OSO1	OSO2	OSO3	OSO4

Features

- Cruise control
- Central locking
- Radio/CD
- Cloth seat trim
- Air conditioning
- Front electric windows

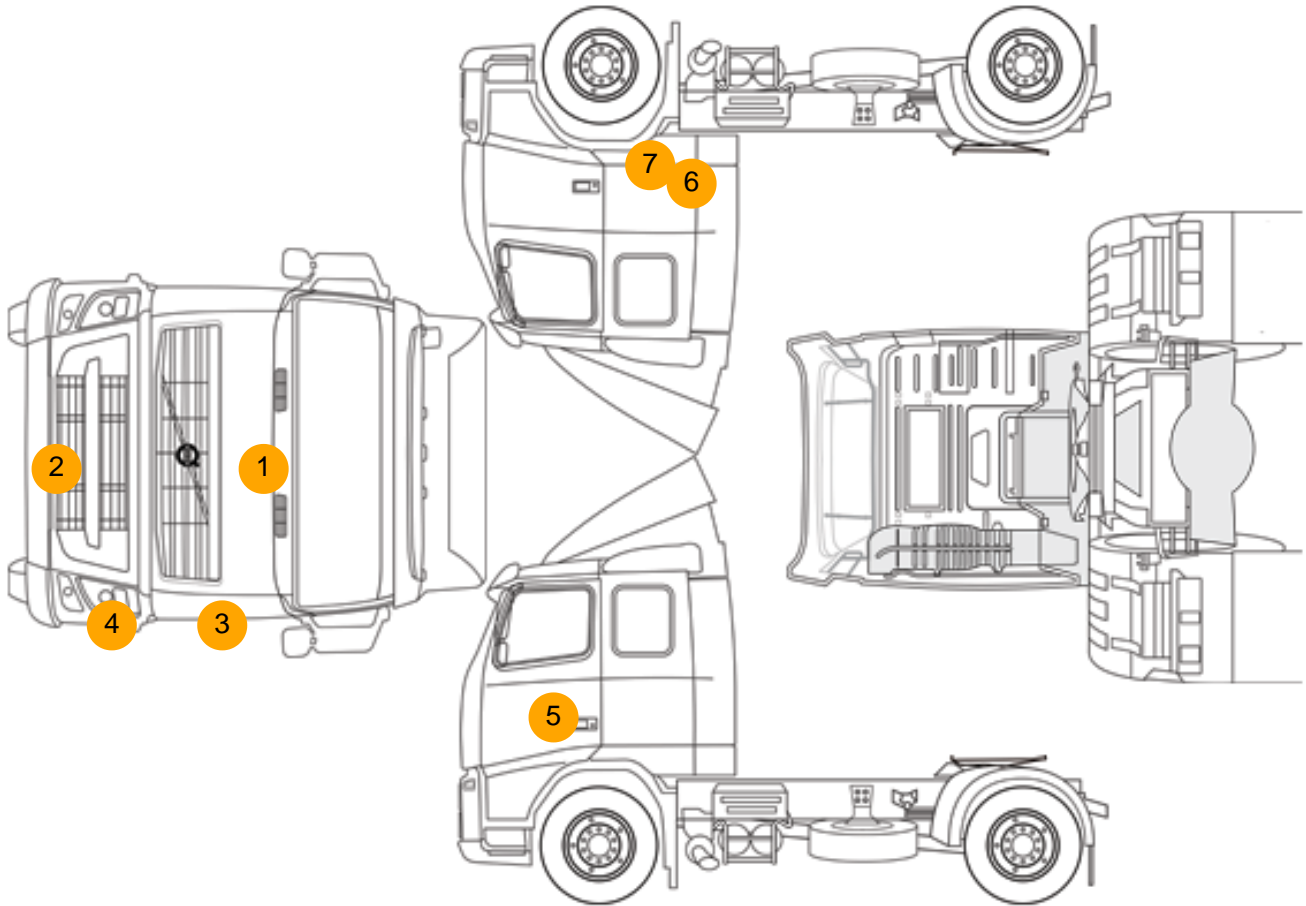
Photos







Condition Check



Damage Photos



1: Bonnet
Chipped
Multiple Chips

2: Bumper Front
Scratched
Over 100mm Thru Paint



3: Panel Front
Cracked
Replace

4: Panel Front
Scratched
Over 25mm Thru Paint



5: Door nsf
Dented
Over 30mm

6: Qtr Panel Moulding os
Broken
Replace



7: Qtr Panel Moulding os
Broken
Replace

8: Fascia Panel
Missing
Replace



9: Seat Base Cover nsf
 Holed
 Over 3mm

Interior

Carpet Condition	OK	Upholstery Condition	Poor
Seat Condition	Poor	Odour	-
Engine Runs	OK	No Excessive Smoking	OK
EML light illuminated	OK	DPF light illuminated	OK
ABS light illuminated	OK		