



COMMERCIAL VEHICLE AUCTIONS LTD
THE UK'S MOST ESTABLISHED COMMERCIAL VEHICLE AUCTIONEERS

Carr Hill Industrial Estate
Doncaster
DN4 8DE

01302 732600 | cva.noreply@cva-auctions.co.uk

VEHICLE INSPECTION REPORT

PO13EHE

Daf LF 55.220

Inspection		Vehicle	
Serious Damage?	No	VAT	Plus VAT
		V5	Present

Details			
Reg. date	12/04/2013	VIN	XLRAE55GF0L423261
Year	2013	Body Style	Box Van
Mileage	737,851 Km Warranted	Service history	Part
Fuel Type	Diesel	Service documents	Printout
GVW	18000kg	MOT Due	31/03/2027
Colour	RED	Cab Type	DAY CAB
		Gearbox	AUTOMATIC
		Axle Combi	4x2
		Rear Suspension	Steel
		Tail Lift	Cantilever

VARIOUS ISSUES REQUIRE ATTENTION

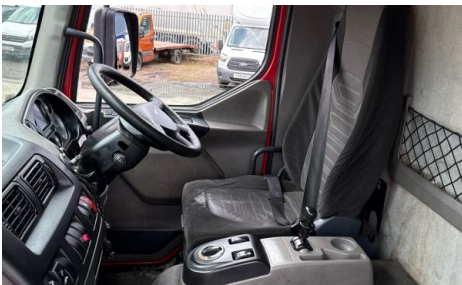
Tyres				
NSF	NSI1	NSI2	NSI3	NSI4
OSF	OSI1	OSI2	OSI3	OSI4
Spare	NSO1	NSO2	NSO3	NSO4
	OSO1	OSO2	OSO3	OSO4

Features

- Cruise control
- Radio/CD
- Air conditioning
- Front electric windows
- Central locking
- Cloth seat trim

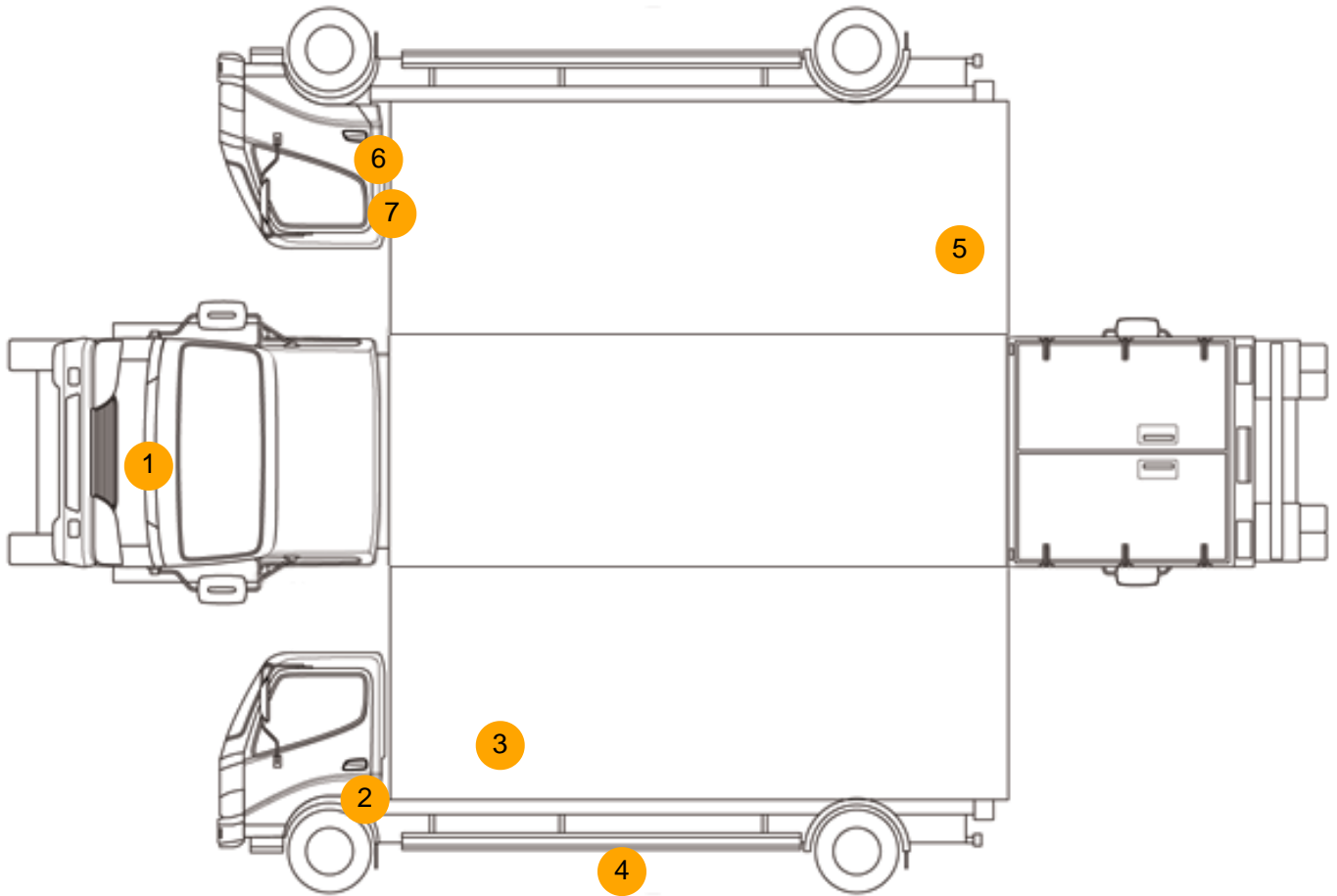
Photos







Condition Check



Damage Photos



1: Bonnet
Chipped
Multiple Chips

2: Wing nsf
Scratched
Over 25mm Thru Paint



3: Qtr Panel nsr
Scratched
Over 25mm Thru Paint

4: Qtr Panel Trim ns
Scuffed
Over 25mm



5: Qtr Panel osr
Scratched
Over 25mm Not Thru Paint

6: Door osf
Dented
With Paint Damage



7: Door osf
Scratched
Over 25mm Thru Paint

8: Door Pad osf
Soiled
Heavy

Interior

Carpet Condition	OK	Upholstery Condition	Poor
Seat Condition	OK	Odour	-
Engine Runs	OK	No Excessive Smoking	OK
EML light illuminated	OK	DPF light illuminated	OK
ABS light illuminated	OK		