



**COMMERCIAL VEHICLE AUCTIONS LTD**  
THE UK'S MOST ESTABLISHED COMMERCIAL VEHICLE AUCTIONEERS

Carr Hill Industrial Estate  
Doncaster  
DN4 8DE

01302 732600 | cva.noreply@cva-auctions.co.uk

# VEHICLE INSPECTION REPORT

**PN14TSO**

## Daf LF 180

### Inspection

Serious Damage? No

### Vehicle

VAT Plus VAT

V5 Present

### Details

Reg. date	12/08/2014	Colour	ORANGE	Gearbox	AUTOMATIC
Year	2014	VIN	XLRAEL2500L435731	Axle Combi	4x2
Mileage	499,937 Km Warranted	Body Style	Box Van	Rear Suspension	Steel
Fuel Type	Diesel	MOT Due	31/08/2026	Rear Doors	Roller
GVW	14000kg	Cab Type	DAY CAB	Tail Lift	Column

TWIN SIDE DOOR.

### Tyres

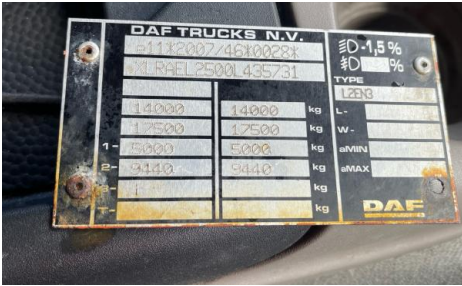
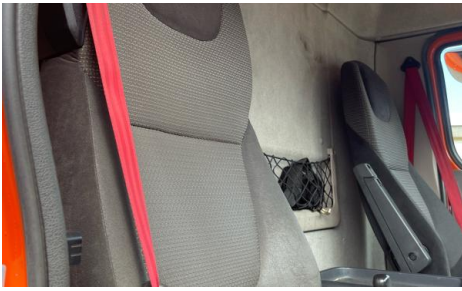
NSF	NSI1	NSI2	NSI3	NSI4
OSF	OSI1	OSI2	OSI3	OSI4
Spare	NSO1	NSO2	NSO3	NSO4
	OSO1	OSO2	OSO3	OSO4

## Features

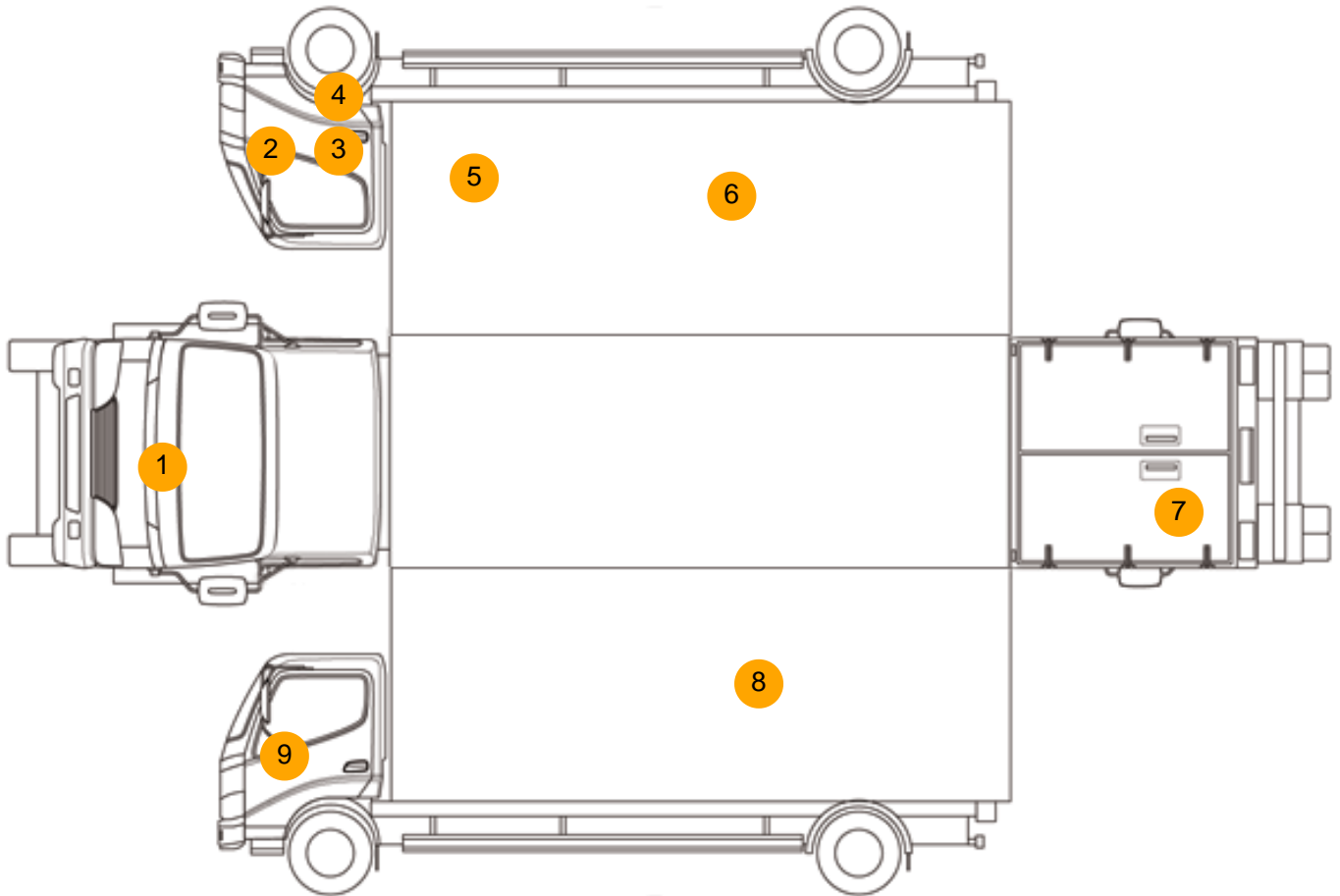
- Radio/CD

## Photos





## Condition Check



## Damage Photos



1: Bonnet  
Chipped  
Multiple Chips

2: Wing osf  
Cracked  
Replace



3: Door osf  
Dented  
With Paint Damage

4: Door Moulding osf  
Scuffed (Unpainted)  
Over 100mm



5: B Post os  
Dented  
Over 30mm

6: Qtr Panel osr  
Rusted  
Over 5mm



7: Tailgate  
Rusted  
Over 5mm

8: Qtr Panel nsr  
Rusted  
Over 5mm



9: Door nsf  
 Dented  
 With Paint Damage

**Interior**

<b>Carpet Condition</b>	Average	<b>Upholstery Condition</b>	Average
<b>Seat Condition</b>	Average	<b>Odour</b>	-
Engine Runs	OK	Gearbox 1st and Reverse Test	OK
Brakes	OK	Clutch Slip Test from Static	OK
Turbo Boosting	OK	Gearbox Static Gear Selection (engine running)	OK
Parking Brake	OK	No Excessive Smoking	OK
EML light illuminated	OK	Oil warning light illuminated	OK
Airbag light illuminated	OK	DPF light illuminated	OK
ABS light illuminated	OK	Service indicator light illuminated	OK
Windows	OK	Radio	OK
		Steering	OK