



COMMERCIAL VEHICLE AUCTIONS LTD  
THE UK'S MOST ESTABLISHED COMMERCIAL VEHICLE AUCTIONEERS

Carr Hill Industrial Estate  
Doncaster  
DN4 8DE

01302 732600 | cva.noreply@cva-auctions.co.uk

# VEHICLE INSPECTION REPORT

**SV74GXT**

## Mercedes-Benz Sprinter 315 2.0 CDI

| Inspection      |    | Vehicle |          |
|-----------------|----|---------|----------|
| Serious Damage? | No | VAT     | Plus VAT |
|                 |    | V5      | Present  |

| Details   |                           |            |                   |             |            |
|-----------|---------------------------|------------|-------------------|-------------|------------|
| Reg. date | 31/10/2024                | Colour     | WHITE             | CAP Average | £21,900.00 |
| Year      | 2024                      | VIN        | W1V3HBFZ4SP727572 | CAP Below   | £19,300.00 |
| Mileage   | 57,164 Miles<br>Warranted | Body Style | Fridge Van L2     | Gearbox     | MANUAL     |
| Fuel Type | Diesel                    | MOT Due    | 30/10/2027        | Gears       | 6          |
| GVW       | 3500kg                    | CAP Clean  | £23,250.00        |             |            |

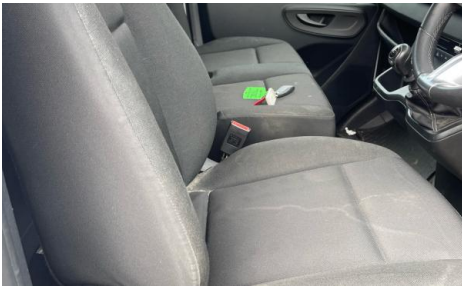
\*WARNING LIGHTS ON DASH\* THERMOKING V-200 MAX SP, SIDE LOAD DOOR, E/MIRRORS, AD-BLUE.

|       |
|-------|
| Tyres |
| NSF   |
| NSR   |
| OSF   |
| OSR   |
| Spare |

## Features

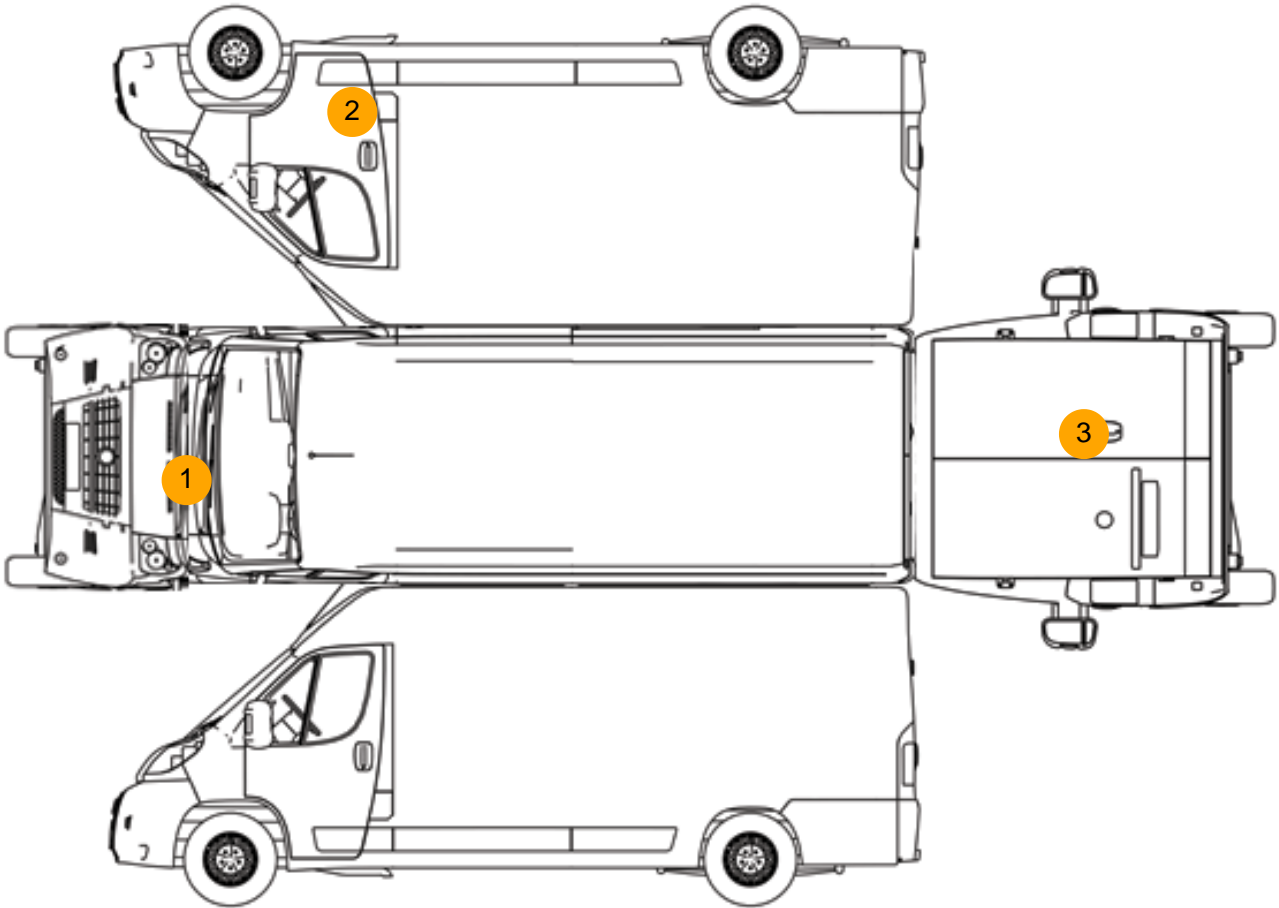
- Radio/CD
- Air conditioning
- Front electric windows
- Central locking

## Photos





## Condition Check



## Damage Photos



1: Bonnet  
Dented  
2 Or Less Up To 10mm



2: Door osf  
Dented  
2 Or Less Up To 10mm



3: Tailgate  
Dented  
Over 30mm

### Interior

| Carpet Condition         | Average | Upholstery Condition                           | Average |
|--------------------------|---------|--|---------|
| Seat Condition           | Average | Odour  | No      |
| Engine Runs              | OK      | Gearbox 1st and Reverse Test                   | OK      |
| Brakes                   | OK      | Clutch Slip Test from Static                   | OK      |
| Turbo Boosting           | OK      | Gearbox Static Gear Selection (engine running) | OK      |
| Parking Brake            | OK      | No Excessive Smoking                           | OK      |
| EML light illuminated    | OK      | Oil warning light illuminated                  | OK      |
| Airbag light illuminated | OK      | DPF light illuminated                          | OK      |
| ABS light illuminated    | OK      | Service indicator light illuminated            | OK      |
| Windows                  | OK      | Radio  | OK      |
|                          |         | Steering                                       | OK      |