



COMMERCIAL VEHICLE AUCTIONS LTD  
THE UK'S MOST ESTABLISHED COMMERCIAL VEHICLE AUCTIONEERS

Carr Hill Industrial Estate  
Doncaster  
DN4 8DE

01302 732600 | cva.noreply@cva-auctions.co.uk

# VEHICLE INSPECTION REPORT

**SJ74VGG**

## Maxus Deliver 9 2.0 TD 150PS

Inspection		Vehicle	
Serious Damage?	No	VAT	Plus VAT
		V5	Present

Details			
Reg. date	07/10/2024	Colour	WHITE
Year	2024	VIN	LSH14J7C4RA073040
Mileage	43,972 Miles Warranted	Body Style	Fridge Van LWB
Fuel Type	Diesel	MOT Due	06/10/2027
GVW	3500kg	CAP Clean	£12,150.00
		CAP Average	£11,500.00
		CAP Below	£10,100.00
		Gearbox	MANUAL
		Gears	6

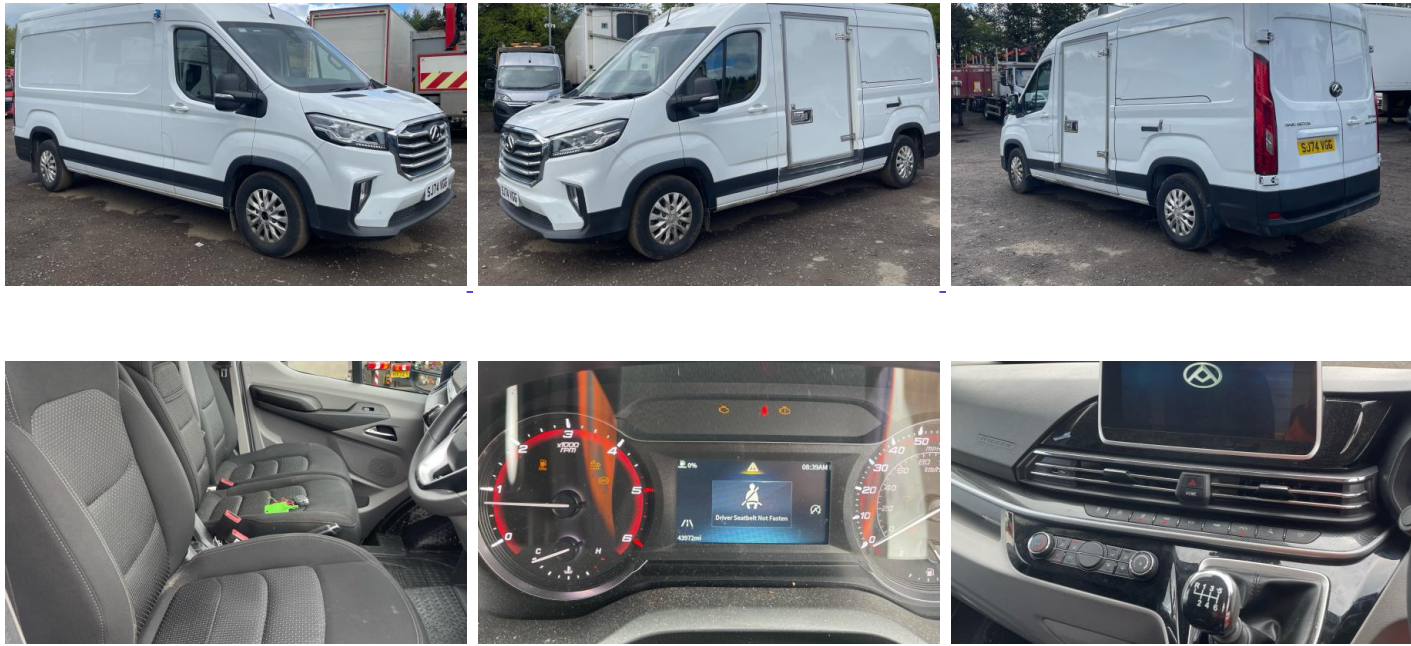
\*WARNING LIGHT ON DASH\* THERMOKING V-200 MAX SP, STANDBY PLUG SIDE LOAD DOOR, E/MIRRORS, AD-BLUE.

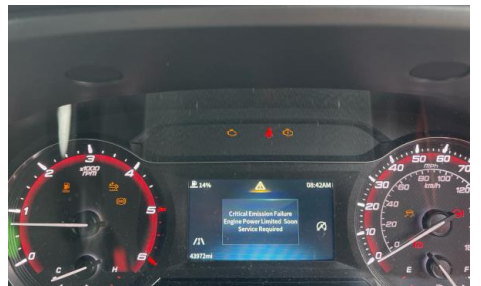
Tyres
NSF
NSR
OSF
OSR
Spare

## Features

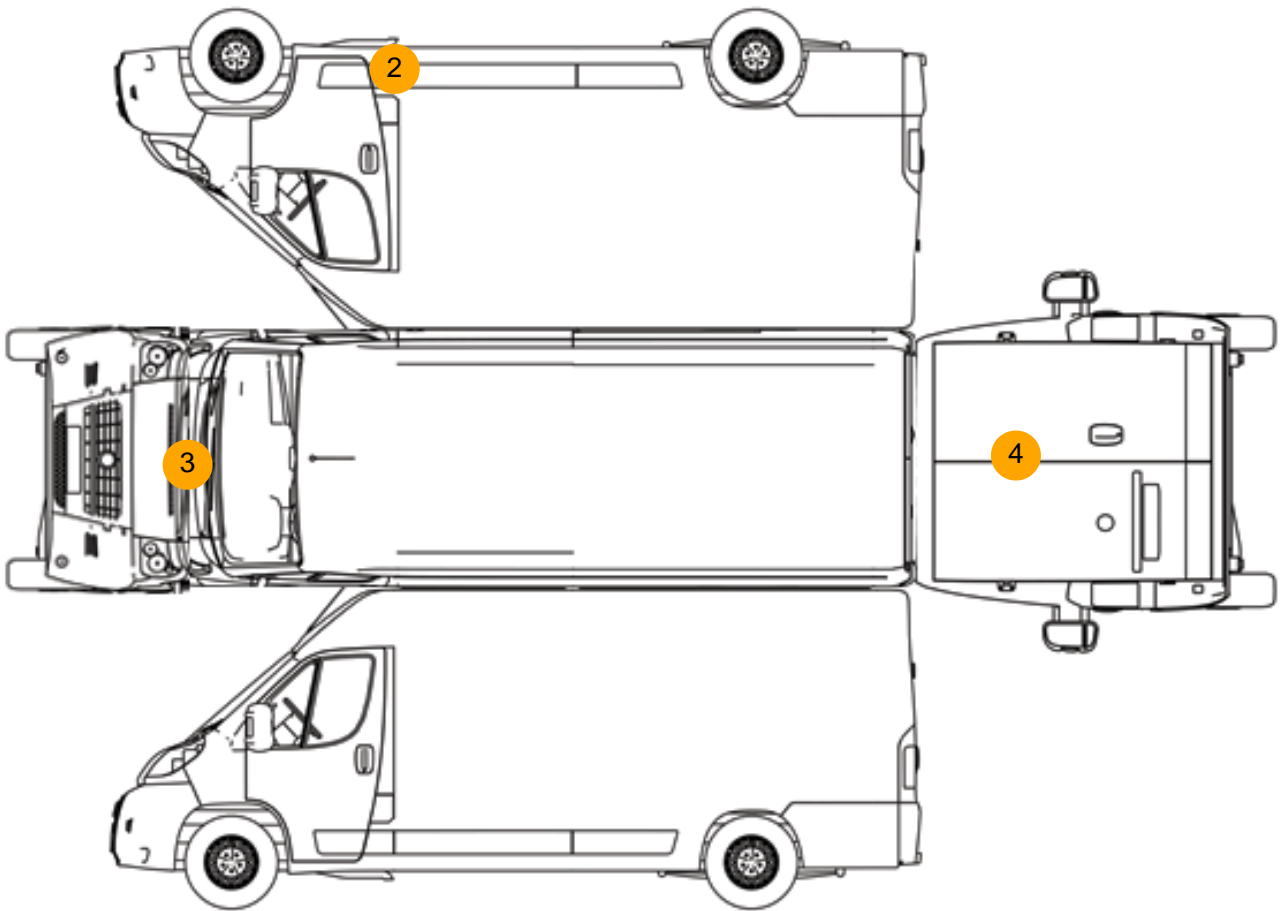
- Front parking sensor
- Front electric windows
- Rear parking sensor
- Central locking
- Radio/CD
- Air conditioning

## Photos





## Condition Check



## Damage Photos



1: Carpets Front  
Torn  
Over 10mm



2: Sill os  
Scratched  
Over 25mm Thru Paint



3: Bonnet  
Dented  
Over 2 UpTo 10mm

4: Tailgate  
Dented  
With Paint Damage

### Interior

Carpet Condition	Average	Upholstery Condition	Average
Seat Condition	Average	Odour	No
Engine Runs	OK	Gearbox 1st and Reverse Test	OK
Brakes	OK	Clutch Slip Test from Static	OK
Turbo Boosting	OK	Gearbox Static Gear Selection (engine running)	OK
Parking Brake	OK	No Excessive Smoking	OK
EML light illuminated	Fault	Oil warning light illuminated	OK
Airbag light illuminated	OK	DPF light illuminated	OK
ABS light illuminated	OK	Service indicator light illuminated	OK
Windows	OK	Radio	OK
		Steering	OK