



COMMERCIAL VEHICLE AUCTIONS LTD
THE UK'S MOST ESTABLISHED COMMERCIAL VEHICLE AUCTIONEERS

Carr Hill Industrial Estate
Doncaster
DN4 8DE

01302 732600 | cva.noreply@cva-auctions.co.uk

VEHICLE INSPECTION REPORT

FN20BCE

Daf LF 230

Inspection		Vehicle	
Serious Damage?	No	VAT	Plus VAT
		V5	Present

Details

Reg. date	24/08/2020	Colour	GREEN	MOT Due	30/09/2026
Year	2020	VIN	XLRAEL3700L495367	Gearbox	AUTOMATIC
Mileage	292,410 Miles Not Warranted	Body Style	Skiploader	Axle Combi	4x2
Fuel Type	Diesel	Service history	Yes	Rear Suspension	Steel
GVW	18000kg	Service documents	Printout		

HIAB MULTLIFT LIFTING GEAR, SHEETING SYSTEM.

Tyres

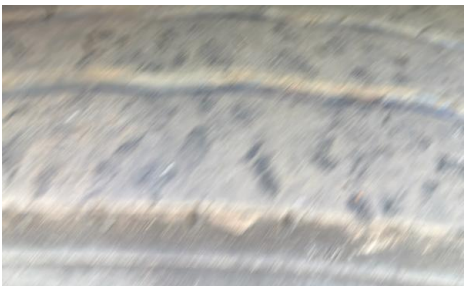
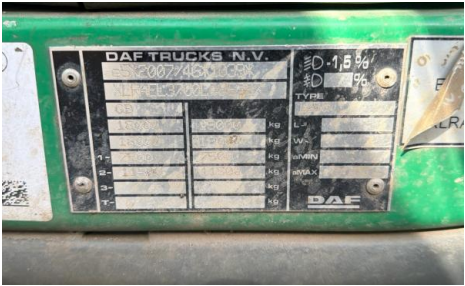
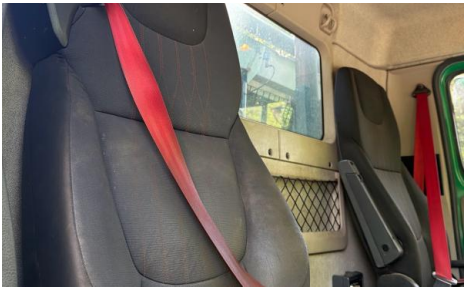
NSF	NSI1	NSI2	NSI3	NSI4
OSF	OSI1	OSI2	OSI3	OSI4
Spare	NSO1	NSO2	NSO3	NSO4
	OSO1	OSO2	OSO3	OSO4

Features

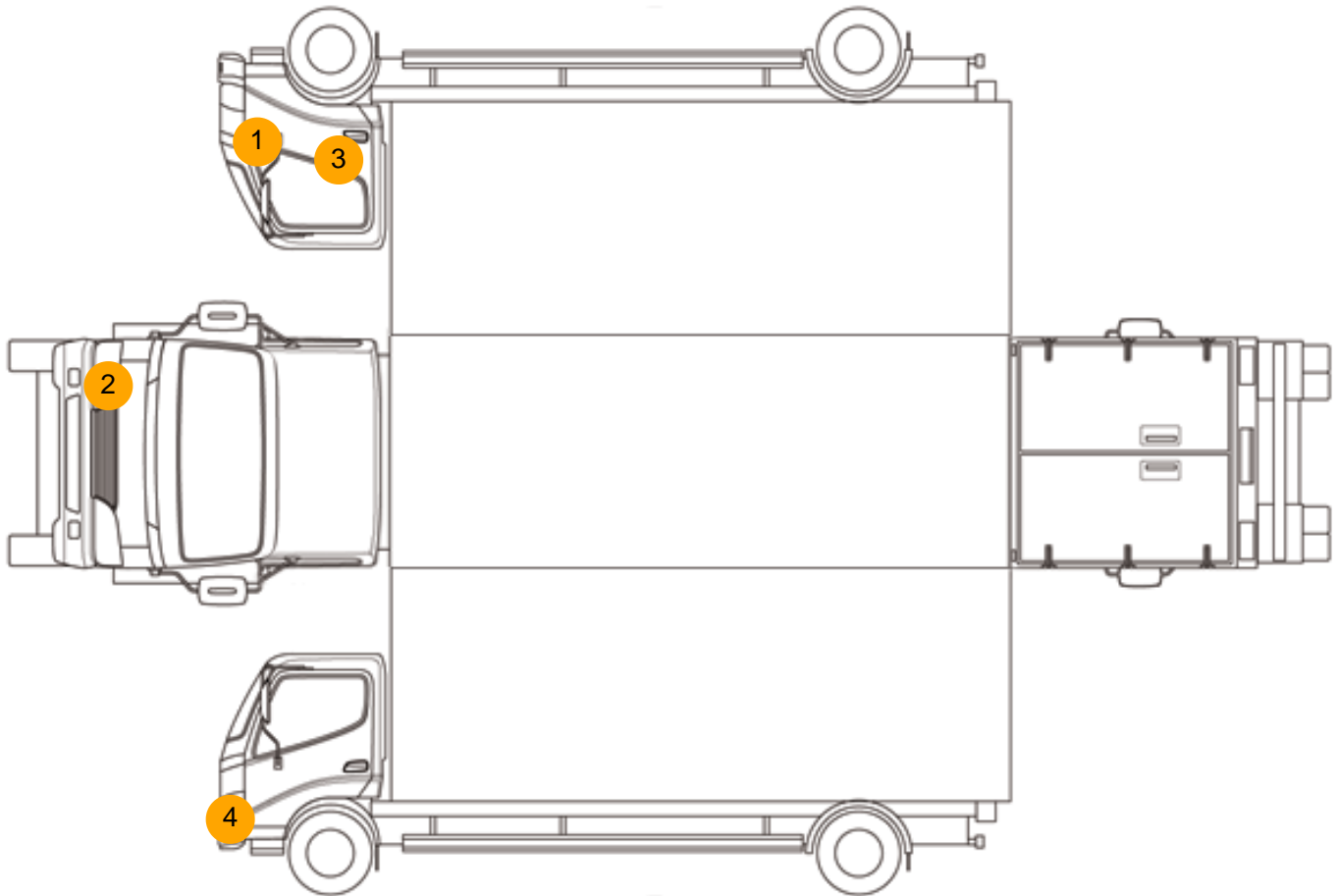
- Radio/CD
- Air conditioning

Photos





Condition Check



Damage Photos



1: Wing ofsf
Chipped
Multiple Chips

2: Bumper Front
Rusted
Over 5mm



3: Door osf
Dented
With Paint Damage

4: Wing nsf
Scratched
Over 25mm Thru Paint

Interior

Carpet Condition	Average	Upholstery Condition	Average
Seat Condition	Average	Odour	-
Engine Runs	OK	Gearbox 1st and Reverse Test	OK
Brakes	OK	Clutch Slip Test from Static	OK
Turbo Boosting	OK	Gearbox Static Gear Selection (engine running)	OK
Parking Brake	OK	No Excessive Smoking	OK
EML light illuminated	OK	Oil warning light illuminated	OK
Airbag light illuminated	OK	DPF light illuminated	OK
ABS light illuminated	OK	Service indicator light illuminated	OK
Windows	OK	Radio	OK
		Steering	OK