



COMMERCIAL VEHICLE AUCTIONS LTD
THE UK'S MOST ESTABLISHED COMMERCIAL VEHICLE AUCTIONEERS

Carr Hill Industrial Estate
Doncaster
DN4 8DE

01302 732600 | cva.noreply@cva-auctions.co.uk

VEHICLE INSPECTION REPORT

MK68NHL

Man TGL 12.250

Inspection		Vehicle	
Serious Damage?	No	VAT	Plus VAT
		V5	To Follow

Details					
Reg. date	01/11/2018	Colour	WHITE	Gearbox	AUTOMATIC
Year	2018	VIN	WMAN14ZZ6KY384272	Axle Combi	4x2
Mileage	831,696 Km Warranted	Body Style	Box Van	Rear Suspension	Air
Fuel Type	Diesel	MOT Due	28/02/2027	Rear Doors	Roller
GVW	12000kg	Cab Type	LX CAB		

SURROUND CAMERA SYSTEM

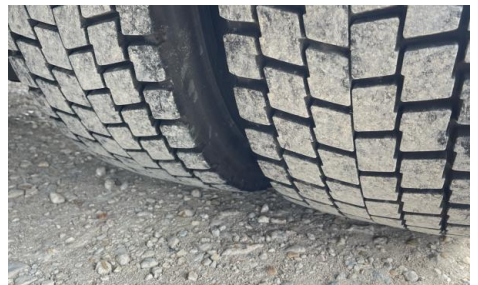
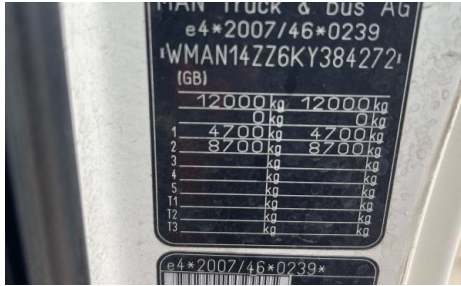
Tyres				
NSF	NSI1	NSI2	NSI3	NSI4
OSF	OSI1	OSI2	OSI3	OSI4
Spare	NSO1	NSO2	NSO3	NSO4
	OSO1	OSO2	OSO3	OSO4

Features

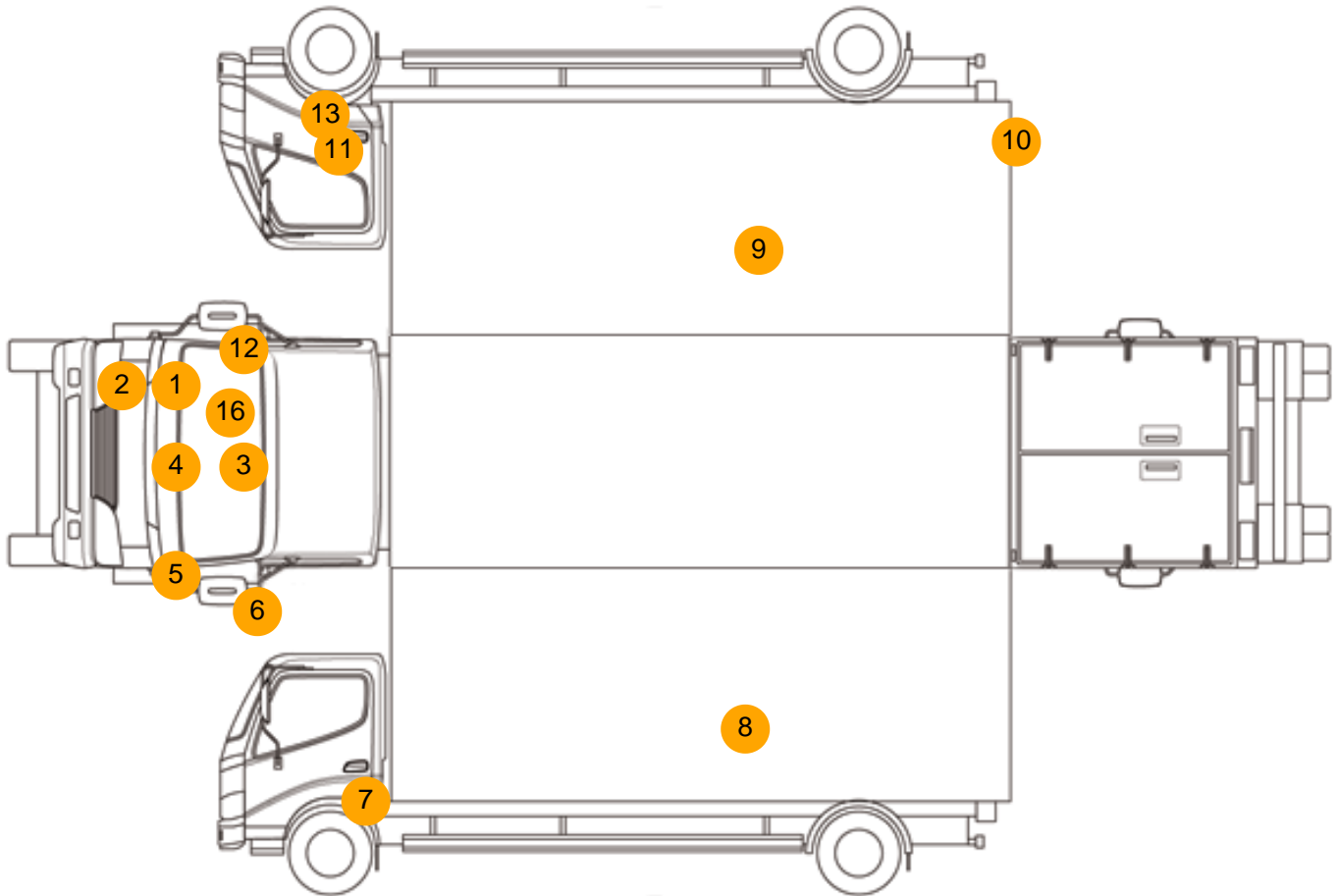
- Navigation system
- Park assist camera
- Air conditioning

Photos





Condition Check



Damage Photos



1: Wing of
Cracked
Replace

2: Bumper Front
Cracked
Up To 25mm



3: Screen Front
Chipped
Over 10mm

4: Bonnet
Chipped
Multiple Chips



5: Wing nsf
Poor Previous Repair
Paint Flake

6: Door Mirror Assy nsf
Scuffed (Unpainted)
Over 100mm



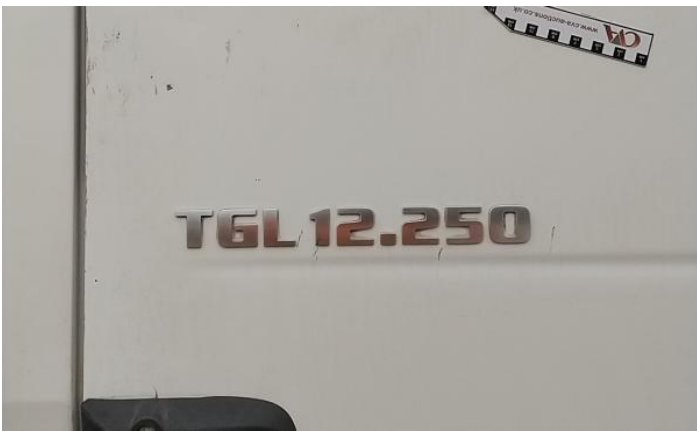
7: Wing Front Arch Extension ns
Scuffed (Unpainted)
Over 100mm

8: Qtr Panel nsr
Scratched
Over 25mm Not Thru Paint



9: Qtr Panel osr
Scratched
Over 25mm Not Thru Paint

10: Qtr Panel osr
Dented
Over 30mm



11: Door osf
Scratched
Over 25mm Not Thru Paint

12: Door Mirror Assy osf
Scuffed (Unpainted)
Over 100mm



13: Wing Front Arch Extension osf
Broken
Replace

14: Seat Base Cover osf
Holed
Over 3mm



15: Door Pad osf
Broken
Replace

16: Screen Front
Cracked
Replace

Interior

Carpet Condition	Average	Upholstery Condition	Average
Seat Condition	Average	Odour	-
Engine Runs	OK	Gearbox 1st and Reverse Test	OK
Brakes	OK	Clutch Slip Test from Static	OK
Parking Brake	OK	Gearbox Static Gear Selection (engine running)	OK
		No Excessive Smoking	OK
EML light illuminated	OK	Oil warning light illuminated	OK
Airbag light illuminated	OK	DPF light illuminated	OK
ABS light illuminated	OK	Service indicator light illuminated	OK