



COMMERCIAL VEHICLE AUCTIONS LTD
THE UK'S MOST ESTABLISHED COMMERCIAL VEHICLE AUCTIONEERS

Carr Hill Industrial Estate
Doncaster
DN4 8DE

01302 732600 | cva.noreply@cva-auctions.co.uk

VEHICLE INSPECTION REPORT

LR70EGU

Volkswagen Crafter CR35 2.0 TDI 177PS TRENDLINE

Non Runner

Inspection		Vehicle	
Serious Damage?	No	VAT	Plus VAT
		V5	To Follow

Details

Reg. date	04/09/2020	Colour	GREEN	CAP Average	£8,075.00
Year	2020	VIN	WV1ZZZSYZL9042791	CAP Below	£6,450.00
Mileage	Not Showing	Body Style	Panel Van	Gearbox	MANUAL
Fuel Type	Diesel	MOT Due	03/09/2026	Gears	6
GVW	3500kg	CAP Clean	£9,200.00		

NON-RUNNER, ENGINE ISSUES, DIESEL LEAK, AD-BLUE, MOT SHOWS 130,968 MILES 11/08/2025

Tyres

NSF
NSR
OSF
OSR
Spare

Features

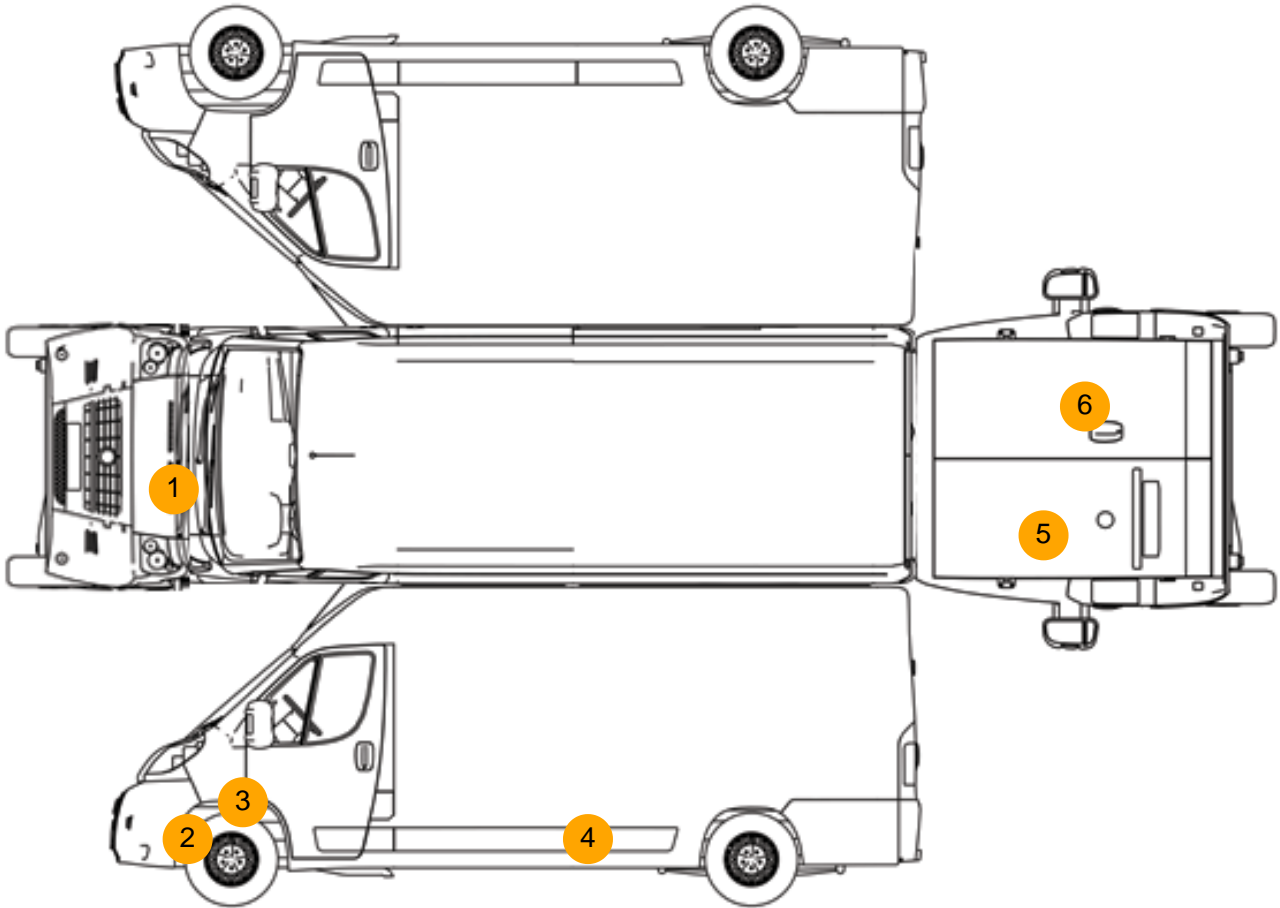
- Bluetooth connection
- Air conditioning
- Central locking
- Cruise control
- Front electric windows
- Cloth seat trim
- Park assist camera
- Drivers airbag
- Digital radio
- Passenger airbag

Photos





Condition Check



Damage Photos



1: Bonnet
Chipped
Multiple Chips

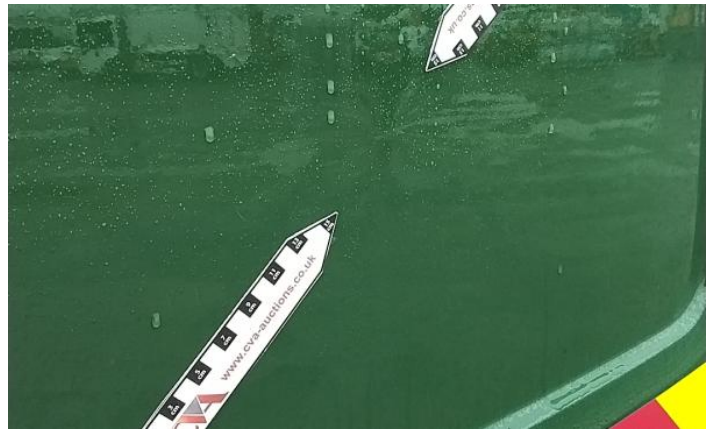


2: Bumper Front
Scratched
Over 100mm Thru Paint



3: Wing nsf
Dented
With Paint Damage

4: Unclassified
Substantial Accident Damage
Report Only



5: Door nsr
Dented
Over 30mm

6: Door osr
Dented
Over 30mm



7: Seat Base Cover osf
Soiled
Heavy

8: Seat Base Cover nsf
Soiled
Heavy

Interior

Carpet Condition
Seat Condition

OK
Poor

Upholstery Condition
Odour

OK
No

Engine Runs

Fault