



COMMERCIAL VEHICLE AUCTIONS LTD
THE UK'S MOST ESTABLISHED COMMERCIAL VEHICLE AUCTIONEERS

Carr Hill Industrial Estate
Doncaster
DN4 8DE

01302 732600 | cva.noreply@cva-auctions.co.uk

VEHICLE INSPECTION REPORT

SR19HZJ

Iveco Eurocargo 75-160

Inspection		Vehicle	
Serious Damage?	No	VAT	Plus VAT
		V5	Present

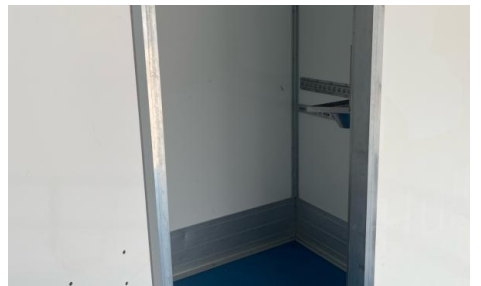
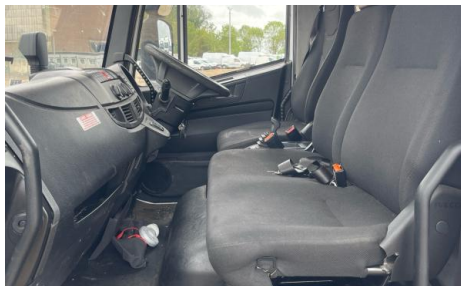
Details					
Reg. date	13/06/2019	Colour	WHITE	Gearbox	AUTOMATIC
Year	2019	VIN	ZCFA775B702680768	Axle Combi	4x2
Mileage	185,887 Km Warranted	Body Style	Fridge Box	Rear Suspension	Steel
Fuel Type	Diesel	MOT Due	31/10/2026	Rear Doors	Barn
GVW	7500kg	Cab Type	DAY CAB		

WARNING LIGHT ON DASH GAH FRIDGE UNIT, SINGLE SIDE BARN DOOR, DUAL COMPARTMENT (2ND ROOM WITH HAND WASH)

Tyres				
NSF	NSI1	NSI2	NSI3	NSI4
OSF	OSI1	OSI2	OSI3	OSI4
Spare	NSO1	NSO2	NSO3	NSO4
	OSO1	OSO2	OSO3	OSO4

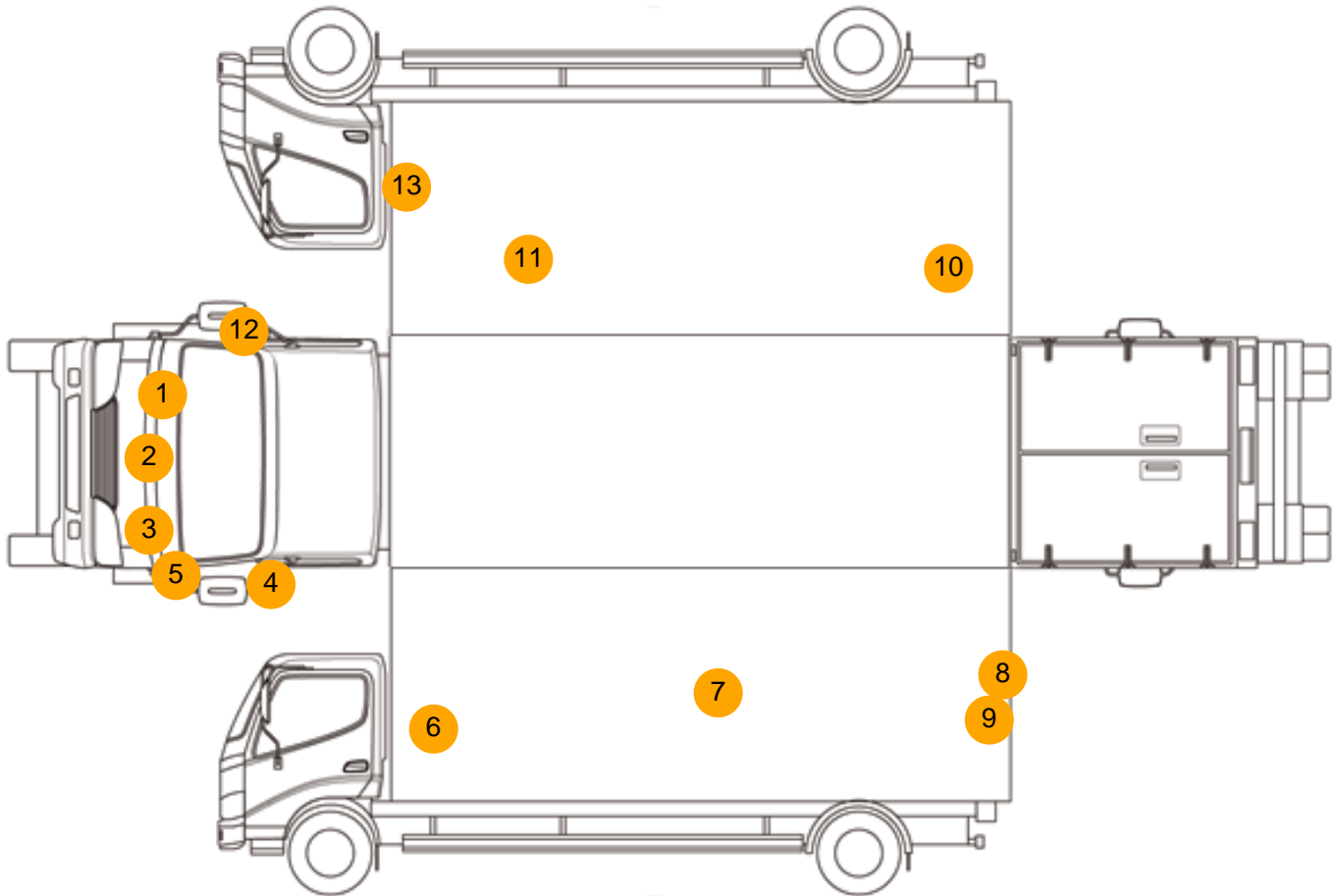
Photos







Condition Check



Damage Photos



1: Wing of
Scratched
Over 25mm Not Thru Paint



2: Front TowEye Cvr
Missing
Replace



3: Front TowEye Cvr
Missing
Replace

4: Door Mirror Assy nsf
Scuffed (Unpainted)
Over 100mm



5: Wing nsf
Scratched
Over 25mm Not Thru Paint

6: Qtr Panel nsr
Cracked
Replace



7: Qtr Panel nsr
Scratched
Over 25mm Not Thru Paint

8: Qtr Panel nsr
Scratched
Over 25mm Thru Paint



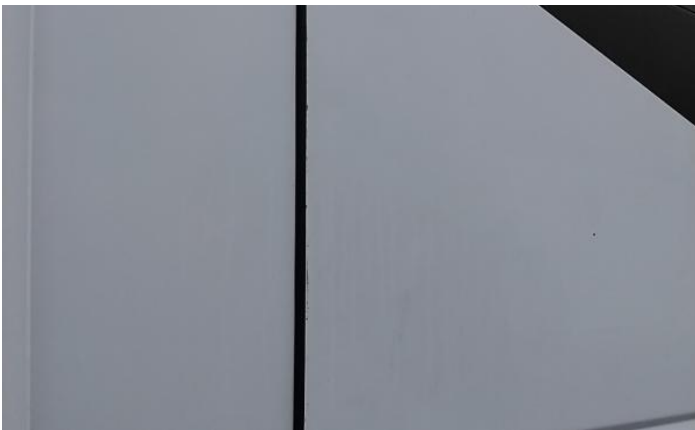
9: Qtr Panel nsr
Poor Previous Repair
Poor Colour

10: Qtr Panel osr
Scratched
Over 25mm Not Thru Paint



11: Qtr Panel osr
Scratched
Over 25mm Not Thru Paint

12: Door Mirror Assy osf
Scuffed (Unpainted)
Over 100mm



13: Door osf
Chipped
Edge Chip

14: Steering Wheel
Damaged
Replace



15: Door Pad osf
Broken
Replace

Interior

Carpet Condition	Average	Upholstery Condition	Average
Seat Condition	Average	Odour	-
Engine Runs	OK	Gearbox 1st and Reverse Test	OK
Brakes	OK	Clutch Slip Test from Static	OK
Parking Brake	OK	Gearbox Static Gear Selection (engine running)	OK
		No Excessive Smoking	OK
EML light illuminated	Fault	Oil warning light illuminated	OK
Airbag light illuminated	OK	DPF light illuminated	OK
ABS light illuminated	OK	Service indicator light illuminated	OK