



COMMERCIAL VEHICLE AUCTIONS LTD
THE UK'S MOST ESTABLISHED COMMERCIAL VEHICLE AUCTIONEERS

Carr Hill Industrial Estate
Doncaster
DN4 8DE

01302 732600 | cva.noreply@cva-auctions.co.uk

VEHICLE INSPECTION REPORT

DE64CYU

Man TGS 18.400

Inspection		Vehicle	
Serious Damage?	No	VAT	Plus VAT
		V5	Present

Details					
Reg. date	14/11/2014	Colour	WHITE	Gearbox	AUTOMATIC
Year	2014	VIN	WMA06SZZ6FW204063	Axle Combi	4x2
Mileage	479,806 Km Not Warranted	Body Style	Tractor Unit	Rear Suspension	Air
Fuel Type	Diesel	MOT Due	31/10/2026		
GVW	28000kg	Cab Type	L CAB		

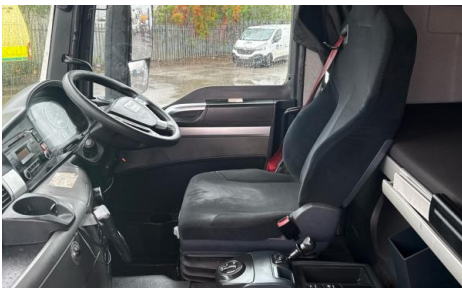
Tyres				
NSF	NSI1	NSI2	NSI3	NSI4
OSF	OSI1	OSI2	OSI3	OSI4
Spare	NSO1	NSO2	NSO3	NSO4
	OSO1	OSO2	OSO3	OSO4

Features

- Cruise control
- Park assist camera
- Radio/CD
- Air conditioning
- Front electric windows
- Central locking
- Cloth seat trim

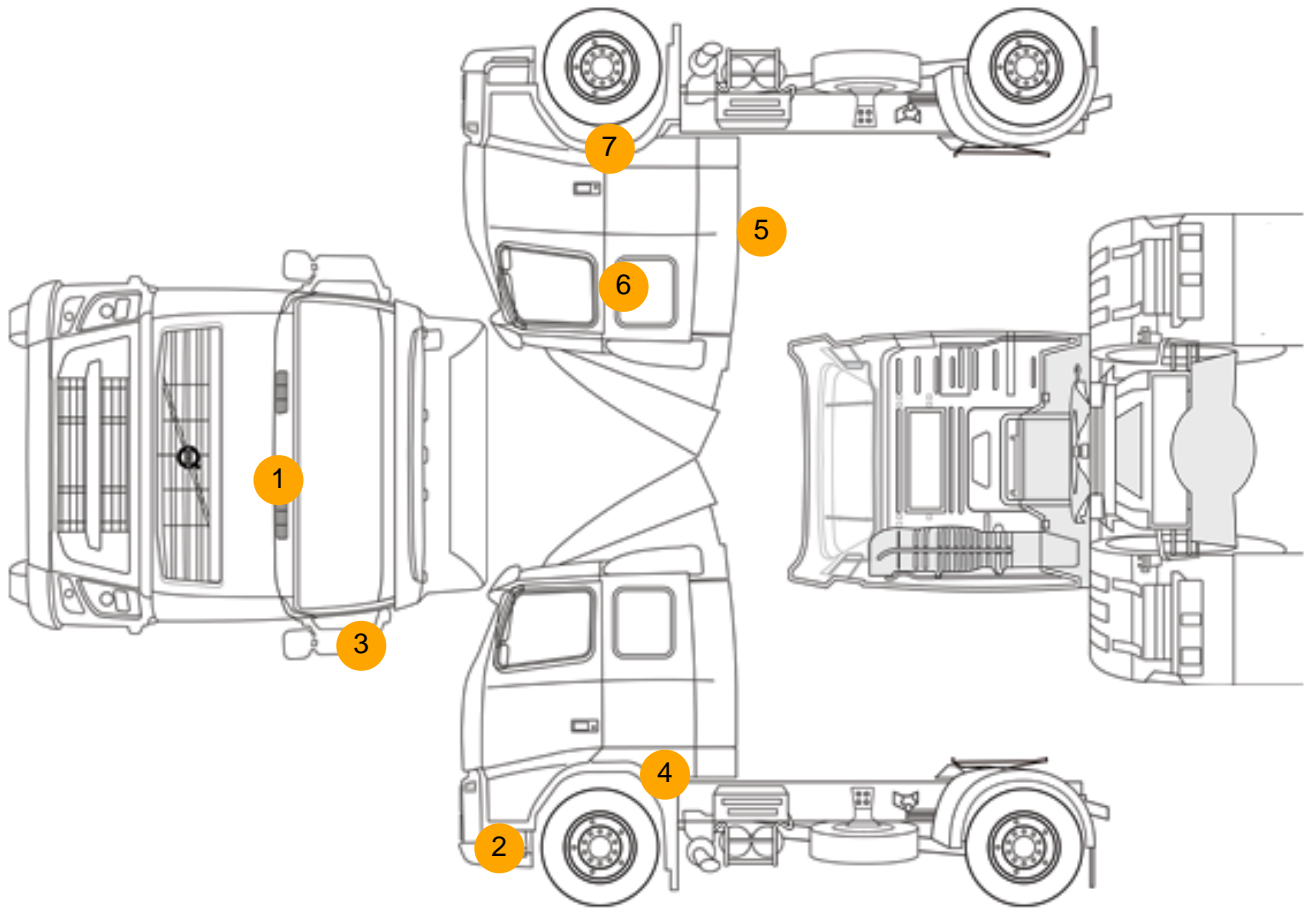
Photos







Condition Check



Damage Photos



1: Bonnet
Chipped
Multiple Chips



2: Bumper Front
Scratched
Over 100mm Thru Paint



3: Door Mirror Assy nsf
Scuffed (Unpainted)
UpTo 100mm

4: Wing nsf
Scratched
Over 25mm Thru Paint



5: Qtr Panel Trim os
Broken
Replace

6: Door osf
Scratched
Over 25mm Thru Paint



7: Wing osf
Scratched
Over 25mm Thru Paint

8: Door Pad nsf
Scuffed
Over 25mm

Interior

Carpet Condition	OK	Upholstery Condition	Poor
Seat Condition	OK	Odour	-
Engine Runs	OK	No Excessive Smoking	OK
EML light illuminated	OK	DPF light illuminated	OK
ABS light illuminated	OK		