



COMMERCIAL VEHICLE AUCTIONS LTD
THE UK'S MOST ESTABLISHED COMMERCIAL VEHICLE AUCTIONEERS

Carr Hill Industrial Estate
 Doncaster
 DN4 8DE

01302 732600 | cva.noreply@cva-auctions.co.uk

VEHICLE INSPECTION REPORT

DE64CZG

MAN TGS 18.400

Inspection		Vehicle	
Serious Damage?	No	VAT	Plus VAT
		V5	Present

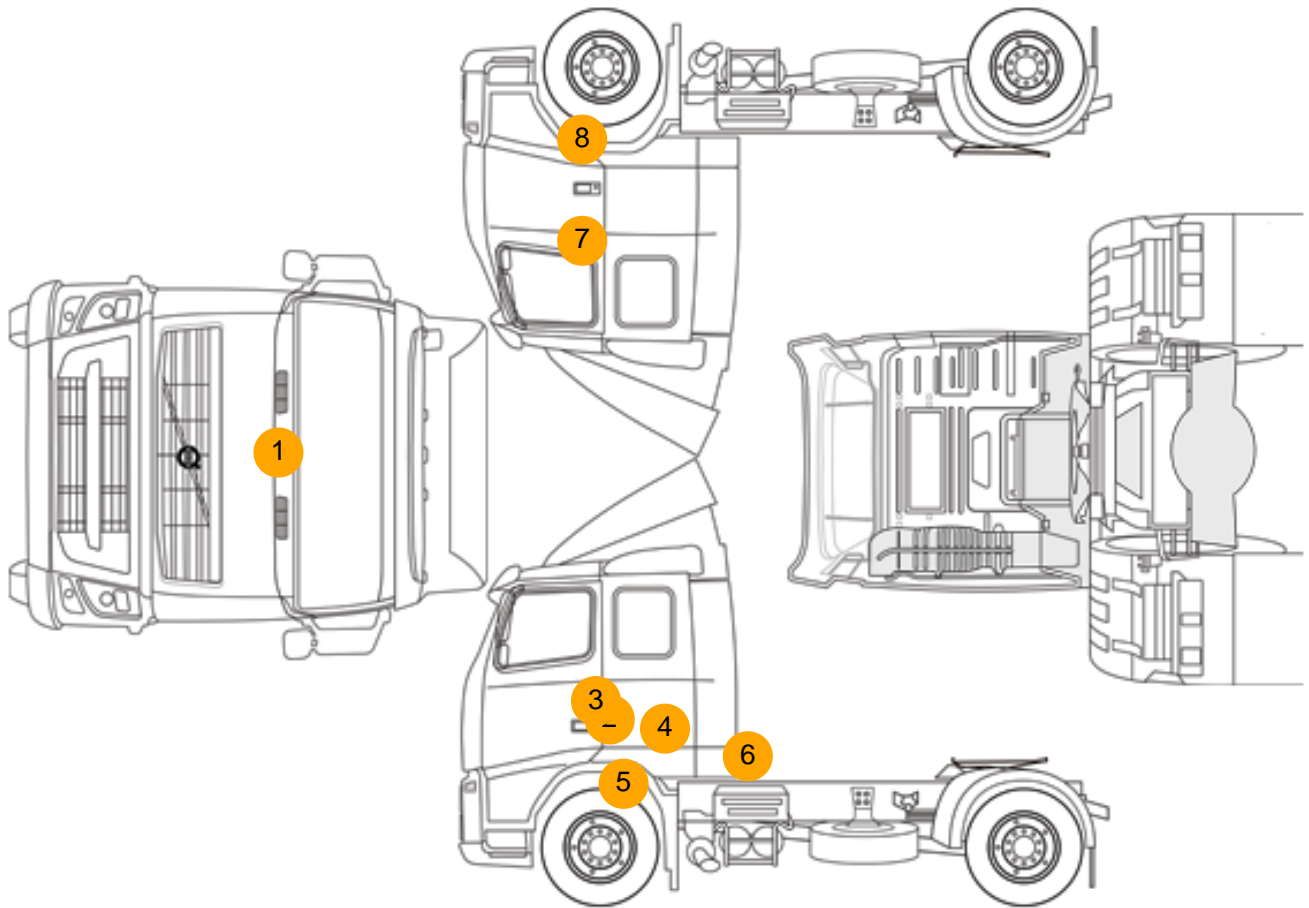
Details					
Reg. date	01/12/2014	Colour	WHITE	Gearbox	AUTOMATIC
Year	2014	VIN	WMA06SZZ5FM664827	Axle Combi	4x2
Mileage	980,214 Km Warranted	Body Style	Tractor Unit	Rear Suspension	Air
Fuel Type	Diesel	MOT Due	31/03/2027		
GVW	28000kg	Cab Type	L CAB		

Tyres				
NSF	NSI1	NSI2	NSI3	NSI4
OSF	OSI1	OSI2	OSI3	OSI4
Spare	NSO1	NSO2	NSO3	NSO4
	OSO1	OSO2	OSO3	OSO4

Features

- Bluetooth connection
- Radio/CD
- Cloth seat trim
- Cruise control
- Air conditioning
- Park assist camera
- Front electric windows
- Digital radio
- Central locking

Condition Check



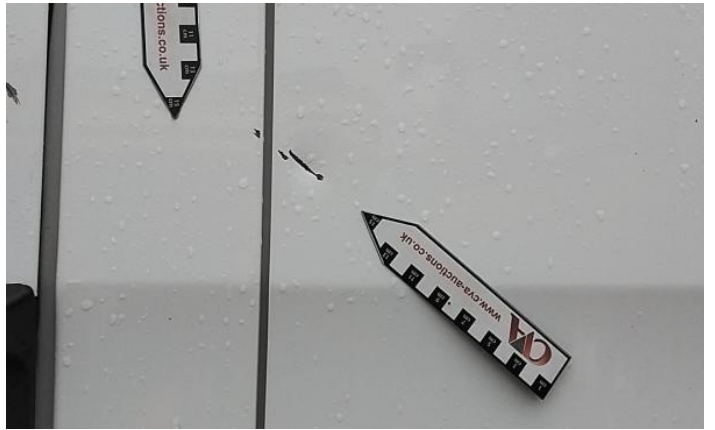
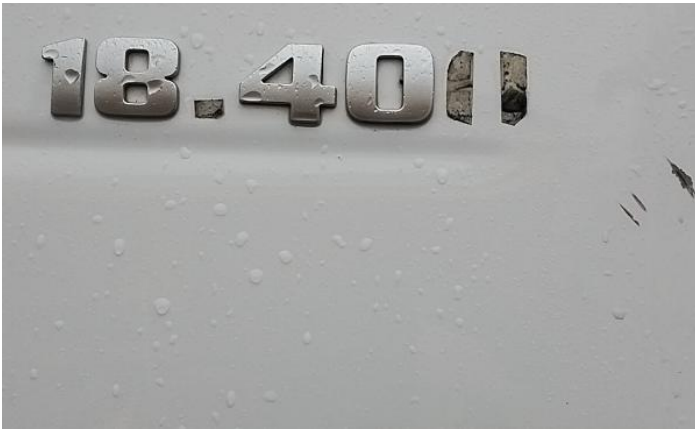
Damage Photos



1: Bonnet
Chipped
Multiple Chips



2: Door nsf
Dented
With Paint Damage



3: Badgedecal Front
Missing
Replace

4: Qtr Panel nsr
Dented
With Paint Damage



5: Wing nsf
Scratched
Over 25mm Thru Paint

6: Qtr Panel Trim ns
Broken
Replace



7: Door osf
Dented
With Paint Damage

8: Wing osf
Scratched
Over 25mm Thru Paint



9: Door Pad osf
Broken
Replace

10: Seat Base Cover osf
Holed
Over 3mm

Interior

Carpet Condition

OK

Seat Condition

Poor

Upholstery Condition

Poor

Odour

-

Engine Runs	OK	No Excessive Smoking	OK
EML light illuminated	OK	DPF light illuminated	OK
ABS light illuminated	OK		