



COMMERCIAL VEHICLE AUCTIONS LTD
THE UK'S MOST ESTABLISHED COMMERCIAL VEHICLE AUCTIONEERS

Carr Hill Industrial Estate
Doncaster
DN4 8DE

01302 732600 | cva.noreply@cva-auctions.co.uk

VEHICLE INSPECTION REPORT

PN21CXT

Fiat Ducato 35 2.3 MULTIJET 140PS

Inspection		Vehicle	
Serious Damage?	No	VAT	Plus VAT
		V5	Present

Details					
Reg. date	02/03/2021	Colour	MULTI-COLOURED	CAP Average	£5,950.00
Year	2021	VIN	ZFA25000002P64864	CAP Below	£4,875.00
Mileage	69,303 Miles Warranted	Body Style	Dropside MWB	Gearbox	MANUAL
Fuel Type	Diesel	MOT Due	05/03/2027	Gears	6
GVW	3500kg	CAP Clean	£6,650.00	Tail Lift	Column

NEEDS NEW ENGINE - KNOCKING *WARNING LIGHT ON DASH* E/MIRRORS

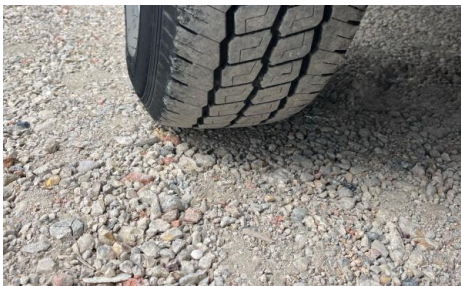
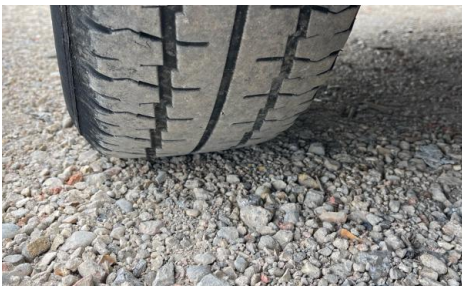
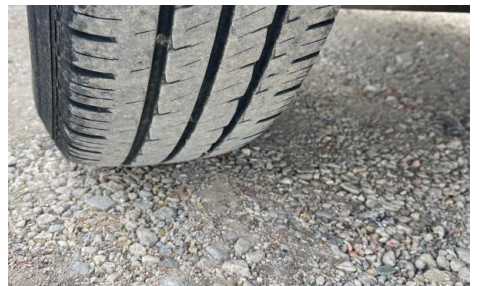
Tyres	
NSF	
NSR	
OSF	
OSR	
Spare	

Features

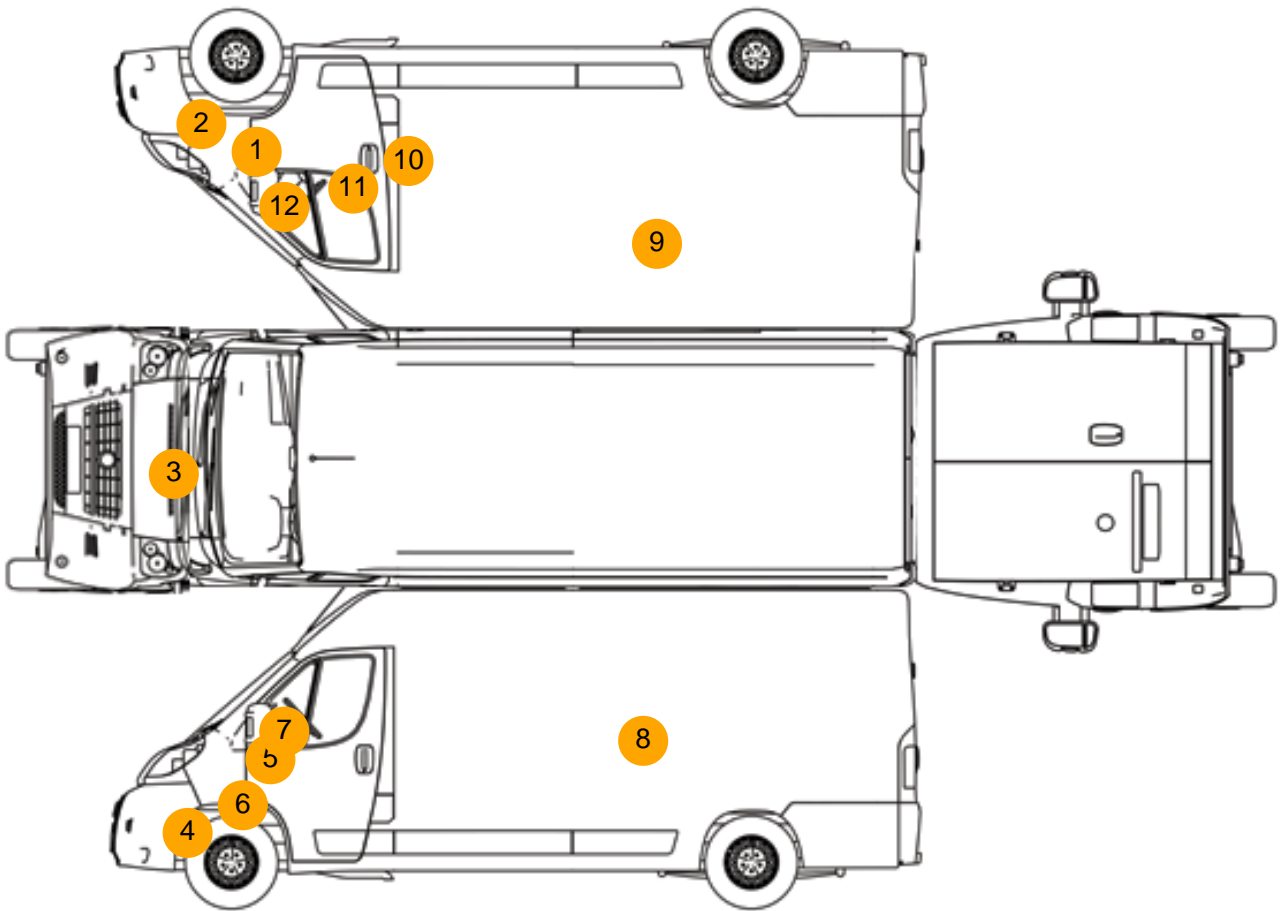
- Park assist camera
- Air conditioning
- Front electric windows

Photos





Condition Check



Damage Photos



1: Wing of
Scratched
Over 25mm Not Thru Paint

2: Bumper Front Moulding
Scuffed (Unpainted)
Over 100mm



3: Bonnet
Chipped
Multiple Chips

4: Bumper Front Moulding
Scuffed (Unpainted)
Over 100mm



5: Door Mirror Assy nsf
Broken
Replace

6: Wing nsf
Dented
With Paint Damage



7: Door Mirror Assy nsf
Broken
Replace

8: Qtr Panel nsr
Scratched
Over 25mm Thru Paint



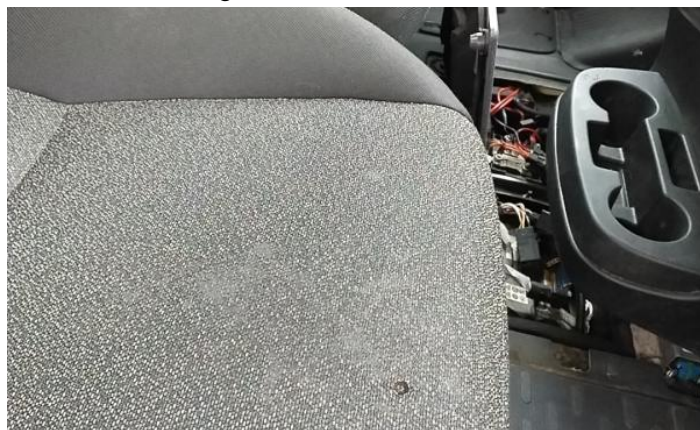
9: Qtr Panel osr
Scratched
Over 25mm Thru Paint



10: B Post os
Dented
Over 30mm



11: Door osf
Dented
With Paint Damage



12: Door Mirror Assy osf
Scuffed (Unpainted)
Up To 100mm



13: Seat Base Cover osf
Burn
Over 3mm

14: Carpets Front
Holed
Over 3mm

Interior

Carpet Condition	Average	Upholstery Condition	Average
Seat Condition	Average	Odour	No
Engine Runs	OK	Gearbox 1st and Reverse Test	OK
Brakes	OK	Clutch Slip Test from Static	OK
Parking Brake	OK	Gearbox Static Gear Selection (engine running)	OK
		No Excessive Smoking	OK
EML light illuminated	Fault	Oil warning light illuminated	OK
Airbag light illuminated	OK	DPF light illuminated	OK
ABS light illuminated	OK	Service indicator light illuminated	OK