



COMMERCIAL VEHICLE AUCTIONS LTD
THE UK'S MOST ESTABLISHED COMMERCIAL VEHICLE AUCTIONEERS

Carr Hill Industrial Estate
Doncaster
DN4 8DE

01302 732600 | cva.noreply@cva-auctions.co.uk

VEHICLE INSPECTION REPORT

YH70LYJ

Ford Transit Custom 320 2.0 EcoBlue 130ps High Roof Leader Van

Non Runner

Inspection

Serious Damage? No

Vehicle

VAT Plus VAT

V5 Present

Details

Reg. date	21/09/2020	VIN	WF0YXXTTGYLD81409	CAP Below	£6,400.00
Year	2020	Body Style	Panel Van L2	Gearbox	MANUAL
Mileage	Not Showing	Service history	Yes	Gears	6
Fuel Type	Diesel	MOT Due	26/07/2026	Axle Combi	4x2
GVW	3200kg	CAP Clean	£8,925.00		
Colour	WHITE	CAP Average	£7,825.00		

NON-RUNNER - INTERNAL ENGINE FAILURE, VENDOR STATES NEW ENGINE REQUIRED, AD BLUE, MOT SHOWS 60,213 MILES 25/06/2025, SIDE LOAD DOOR, E/MIRRORS, HEATED WINDSCREEN

Tyres

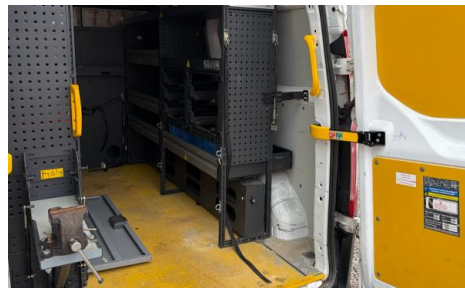
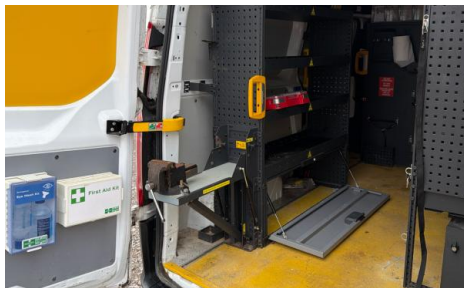
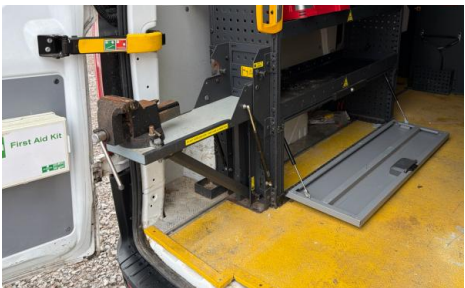
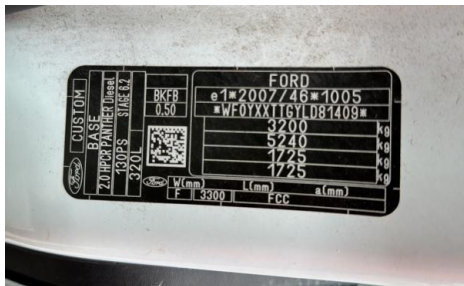
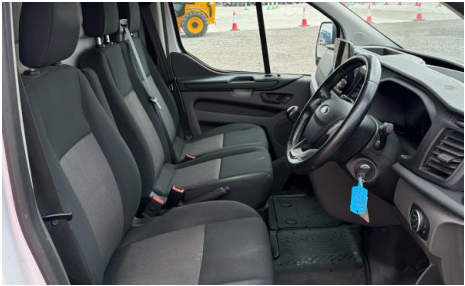
NSF
NSR
OSF
OSR
Spare

Features

- Bluetooth connection
- Radio/CD
- Passenger airbag
- Cruise control
- Air conditioning
- Central locking
- Front parking sensor
- Front electric windows
- Cloth seat trim
- Rear parking sensor
- Drivers airbag

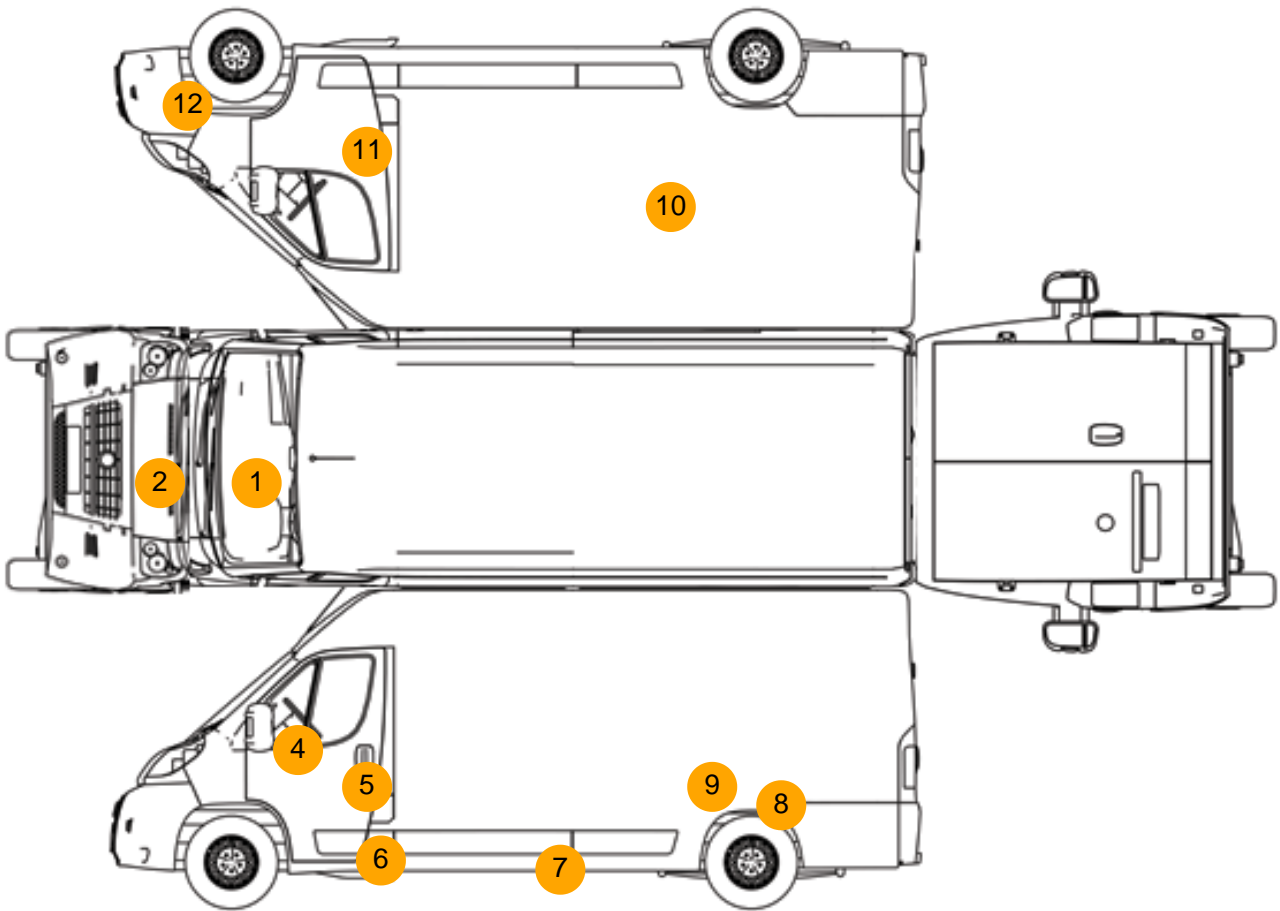
Photos







Condition Check



Damage Photos



1: Screen Front
Chipped
UpTo 10mm

2: Bonnet
Chipped
Multiple Chips



3: Bumper Front
Scratched
Over 100mm Thru Paint

4: Door Mirror Assy nsf
Broken
Replace



5: Door nsf
Dented
Over 30mm

6: Door Moulding nsf
Scratched (Painted)
Over 25mm Thru Paint



7: Door Moulding nsr
Scratched (Painted)
Over 25mm Thru Paint

8: Qtr Panel osr
Dented
Over 30mm



9: Qtr Panel nsr
Dented
Over 30mm

10: Qtr Panel osr
Dented
Over 30mm



11: Door osf
Chipped
Multiple Chips

12: Bumper Front
Chipped
Multiple Chips



13: Seat Base Cover osf
Holed
Over 3mm

14: Seat Base Cover osr
Missing
Replace



15: Centre Console Front
Broken
Replace

Interior

Carpet Condition	OK	Upholstery Condition	OK
Seat Condition	Average	Odour	-
Engine Runs		Fault	