



COMMERCIAL VEHICLE AUCTIONS LTD
THE UK'S MOST ESTABLISHED COMMERCIAL VEHICLE AUCTIONEERS

Carr Hill Industrial Estate
Doncaster
DN4 8DE

01302 732600 | cva.noreply@cva-auctions.co.uk

VEHICLE INSPECTION REPORT

ST13NLZ

Ford Transit Connect T200 1.8 TDCi 75PS

Inspection		Vehicle	
Serious Damage?	No	VAT	Plus VAT
		V5	To Follow

Details					
Reg. date	30/08/2013	Colour	YELLOW	CAP Average	£490.00
Year	2013	VIN	WF0TXXTTPTDB65030	CAP Below	£320.00
Mileage	151,926 Miles Warranted	Body Style	Panel Van SWB	Gearbox	MANUAL
Fuel Type	Diesel	MOT Due	07/09/2026	Gears	5
GVW	2040kg	CAP Clean	£630.00		

SIDE LOAD DOOR.

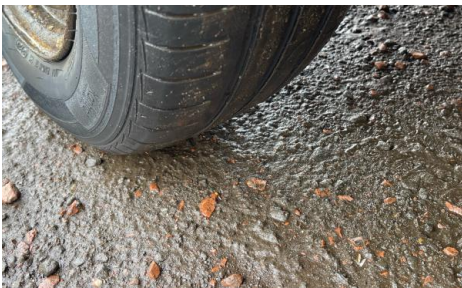
Tyres	
NSF	
NSR	
OSF	
OSR	
Spare	

Features

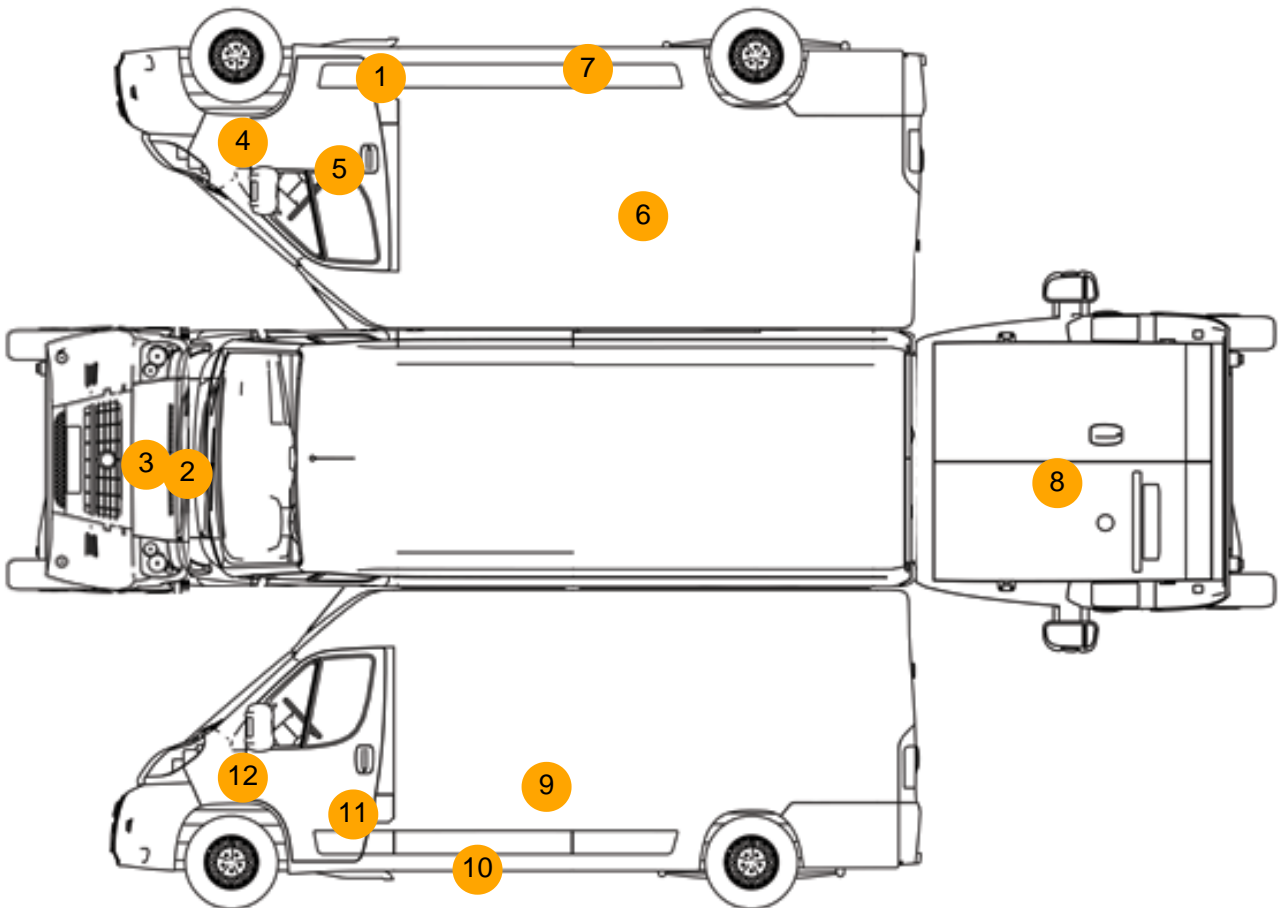
- Radio/CD
- Front electric windows
- Central locking

Photos





Condition Check



Damage Photos



1: Sill os
Rusted
Over 5mm



2: Bonnet
Dented
With Paint Damage



3: Bumper Front Grill
Broken
Replace

4: Wing osf
Rusted
Over 5mm



5: Door osf
Dented
With Paint Damage



6: Qtr Panel osr
Rusted
Over 5mm



7: Sill os
Poor Previous Repair
Poor Colour

8: Tailgate
Rusted
Over 5mm



9: Door nsr
Rusted
Over 5mm

10: Sill ns
Poor Previous Repair
Poor Colour



11: Door nsf
Dented
With Paint Damage

12: Wing nsf
Dented
With Paint Damage

Interior

Carpet Condition	Average	Upholstery Condition	Average
Seat Condition	Average	Odour	No
Engine Runs	OK	Gearbox 1st and Reverse Test	OK
Brakes	OK	Clutch Slip Test from Static	OK
Turbo Boosting	OK	Gearbox Static Gear Selection (engine running)	OK
Parking Brake	OK	No Excessive Smoking	OK
EML light illuminated	OK	Oil warning light illuminated	OK
Airbag light illuminated	OK	DPF light illuminated	OK
ABS light illuminated	OK	Service indicator light illuminated	OK

Windows

OK

Radio

OK

Steering

OK