



**COMMERCIAL VEHICLE AUCTIONS LTD**  
THE UK'S MOST ESTABLISHED COMMERCIAL VEHICLE AUCTIONEERS

Carr Hill Industrial Estate  
Doncaster  
DN4 8DE

01302 732600 | cva.noreply@cva-auctions.co.uk

# VEHICLE INSPECTION REPORT

**PE17HMX**

## DAF CF 440

Inspection		Vehicle	
Serious Damage?	No	VAT	Plus VAT
		V5	To Follow

### Details

Reg. date	01/03/2017	VIN	XLRTGM4100G148750	Gearbox	AUTOMATIC
Year	2017	Body Style	Tractor Unit	Axle Combi	6x2
Mileage	1,577,725 Km TBC	Service history	Yes	Steering Combi	Mid-Lift Steer
Fuel Type	Diesel	Service documents	Printout	Rear Suspension	Air
GVW	44000kg	MOT Due	30/06/2026		
Colour	RED	Cab Type	SLEEPER CAB		

\*COLLECTED AS NON-RUNNER - WELDING, 5TH WHEEL, AXLES & PROPSHAFT REQUIRE ATTENTION\*

### Tyres

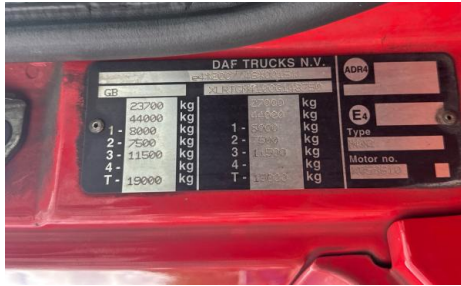
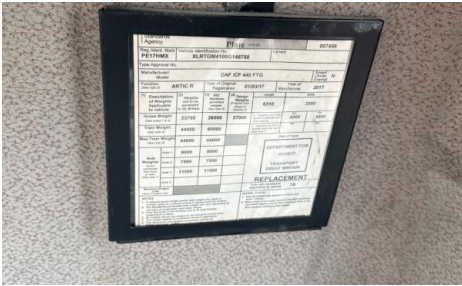
NSF	NSI1	NSI2	NSI3	NSI4
OSF	OSI1	OSI2	OSI3	OSI4
Spare	NSO1	NSO2	NSO3	NSO4
	OSO1	OSO2	OSO3	OSO4

## Features

- Bluetooth connection
- Air conditioning
- Cruise control
- Front electric windows
- Auxiliary input socket
- Central locking
- Digital radio
- Cloth seat trim

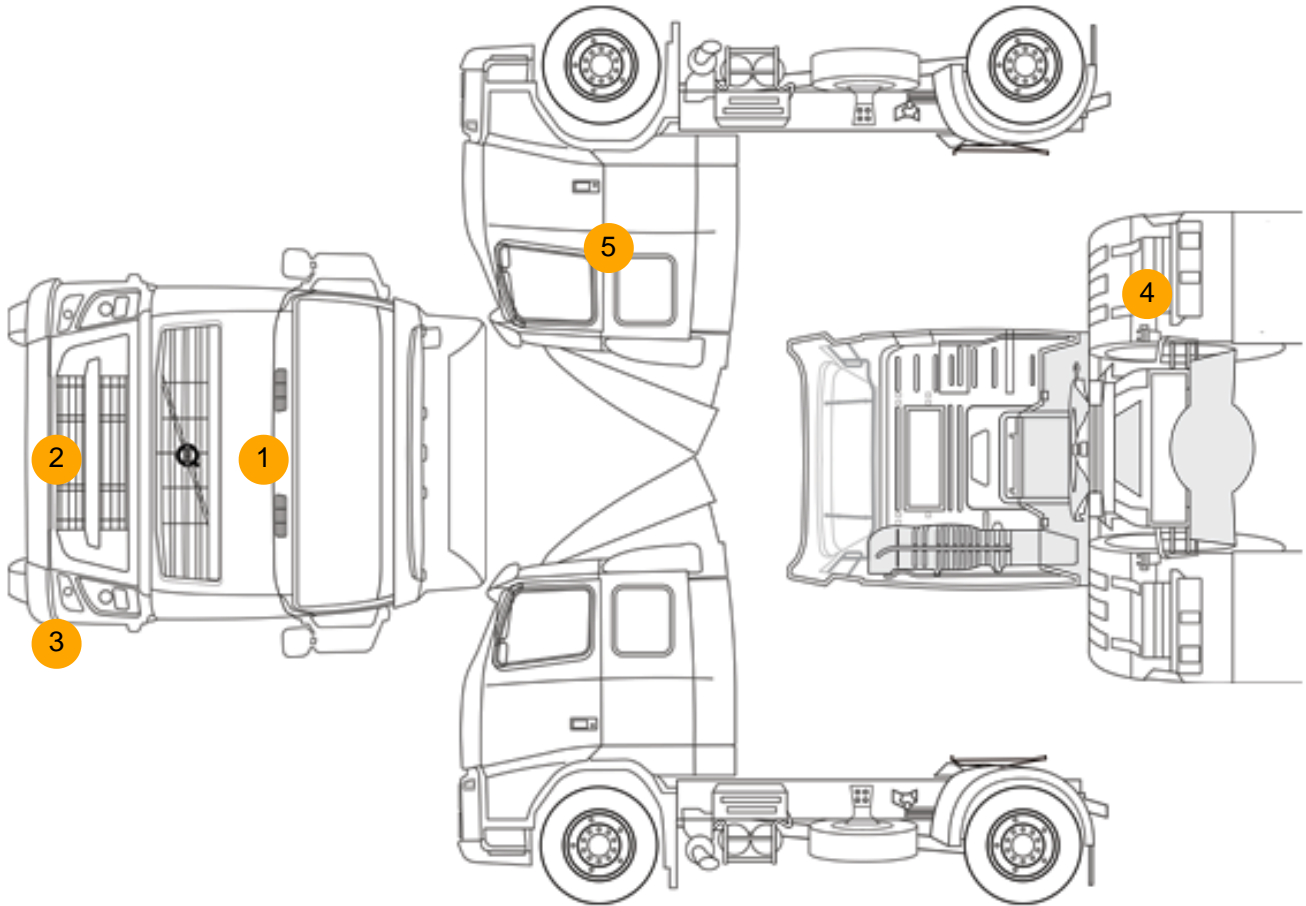
## Photos







## Condition Check



## Damage Photos



1: Bonnet  
Chipped  
Multiple Chips

2: Bumper Front  
Chipped  
Multiple Chips



3: Bumper Front  
Dented  
With Paint Damage

4: Qtr Panel Moulding os  
Missing  
Replace



5: Door osf  
Scratched  
Over 25mm Thru Paint

6: Carpets Front  
Holed  
Over 3mm



7: Door Pad osf  
Broken  
Replace

## Interior

<b>Carpet Condition</b>	Poor	<b>Upholstery Condition</b>	Poor
<b>Seat Condition</b>	OK	<b>Odour</b>	-
Engine Runs	OK	No Excessive Smoking	OK
EML light illuminated	OK	DPF light illuminated	OK
ABS light illuminated	OK		