



COMMERCIAL VEHICLE AUCTIONS LTD
THE UK'S MOST ESTABLISHED COMMERCIAL VEHICLE AUCTIONEERS

Carr Hill Industrial Estate
Doncaster
DN4 8DE

01302 732600 | cva.noreply@cva-auctions.co.uk

VEHICLE INSPECTION REPORT

LS70PFE

Volkswagen Crafter 2.0 TDI 140PS Trendline

Inspection		Vehicle	
Serious Damage?	No	VAT	Plus VAT
		V5	To Follow

Details					
Reg. date	09/12/2020	Colour	GREEN	CAP Average	£11,550.00
Year	2020	VIN	WV1ZZSYZM9004078	CAP Below	£9,225.00
Mileage	87,875 Miles Warranted	Body Style	Panel Van	Gearbox	MANUAL
Fuel Type	Diesel	MOT Due	17/10/2026	Gears	6
GVW	3500kg	CAP Clean	£13,150.00		

COLLECTED AS NON RUNNER, ADVISED ENGINE ISSUE, EXCESSIVE SMOKING, POWER STEERING REQUIRES ATTENTION, WARNING LIGHTS ON DASH, E/MIRRORS, AD-BLUE

Tyres
NSF
NSR
OSF
OSR
Spare

Features

- Digital radio
- Passenger airbag
- Air conditioning
- Cloth seat trim
- Front electric windows
- Drivers airbag

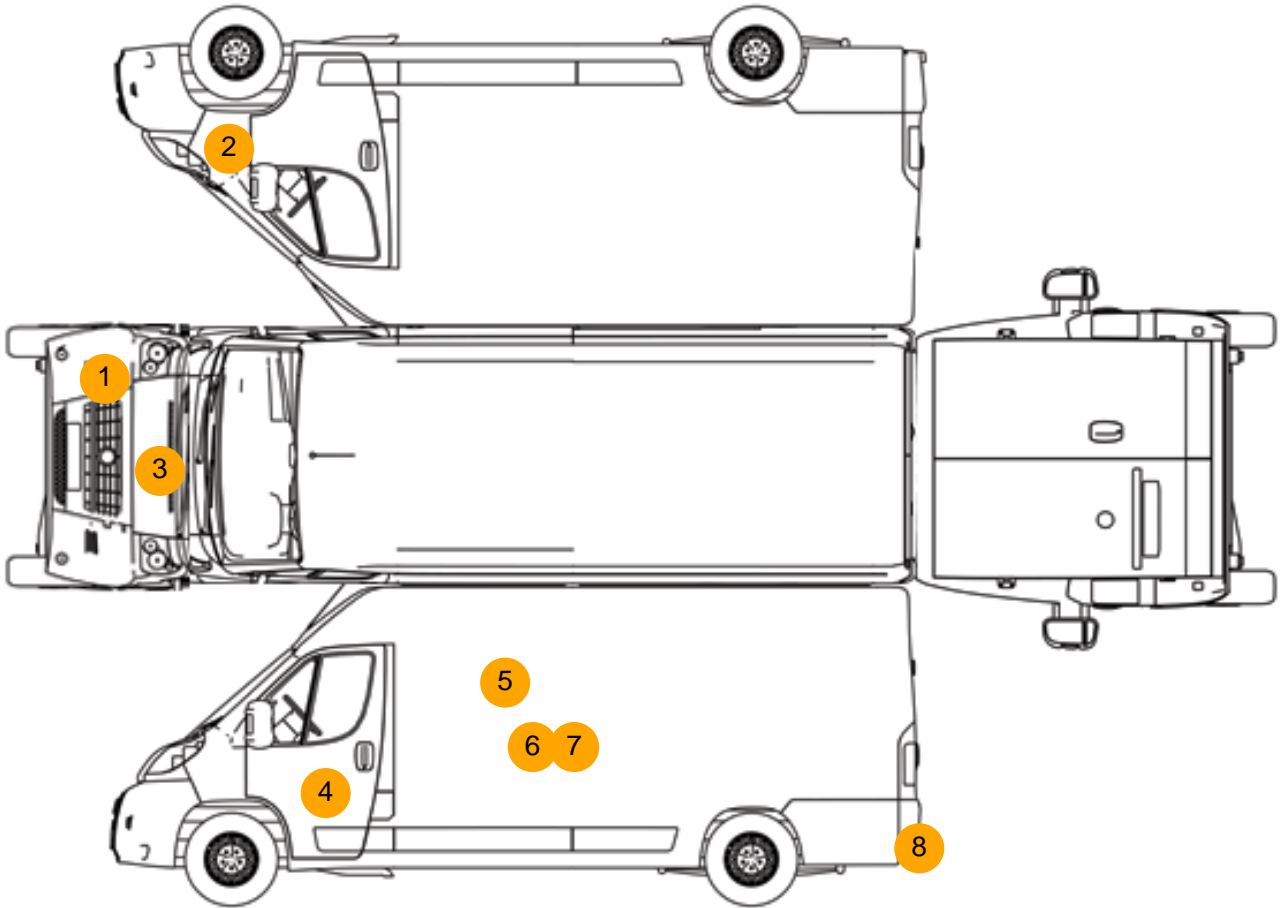
Photos







Condition Check



Damage Photos



1: Bumper Front Moulding
Broken
Replace

2: Wing osf
Dented
With Paint Damage



3: Bonnet
Chipped
Multiple Chips

4: Door nsf
Scratched
Over 25mm Thru Paint



5: Qtr Panel nsr
Dented
Over 30mm

6: Qtr Panel nsr
Dented
Over 30mm



7: Qtr Panel nsr
Dented
Over 30mm

8: Bumper Rear Moulding
Scuffed (Unpainted)
Over 100mm



9: Dash Warning Lights
Displayed
No Action

10: Seat Base Cover nsf
Soiled
Heavy

Interior

Carpet Condition

OK

Seat Condition

Poor

Upholstery Condition

OK

Odour

No

Engine Runs	OK	No Excessive Smoking	Fault
EML light illuminated	Fault	DPF light illuminated	OK
Airbag light illuminated	Fault		
ABS light illuminated	Fault		