



COMMERCIAL VEHICLE AUCTIONS LTD
THE UK'S MOST ESTABLISHED COMMERCIAL VEHICLE AUCTIONEERS

Carr Hill Industrial Estate
Doncaster
DN4 8DE

01302 732600 | cva.noreply@cva-auctions.co.uk

VEHICLE INSPECTION REPORT

PJ70KPT

Mercedes-Benz Sprinter 314 CDI

Inspection		Vehicle	
Serious Damage?	No	VAT	Plus VAT
		V5	To Follow

Details			
Reg. date	26/01/2021	Colour	WHITE
Year	2021	VIN	W1V9076332P283392
Mileage	211,132 Miles Warranted	Body Style	Panel Van L2
Fuel Type	Diesel	MOT Due	30/01/2027
GVW	3500kg	CAP Clean	£8,300.00
		CAP Average	£7,450.00
		CAP Below	£6,100.00
		Gearbox	MANUAL
		Gears	6

WARNING LIGHT ON DASH AD-BLUE, SIDE LOADING DOOR, TOW BAR, LOADING PLATFORM RAMP

Tyres
NSF
NSR
OSF
OSR
Spare

Features

- Park assist camera
- Air conditioning
- Front electric windows

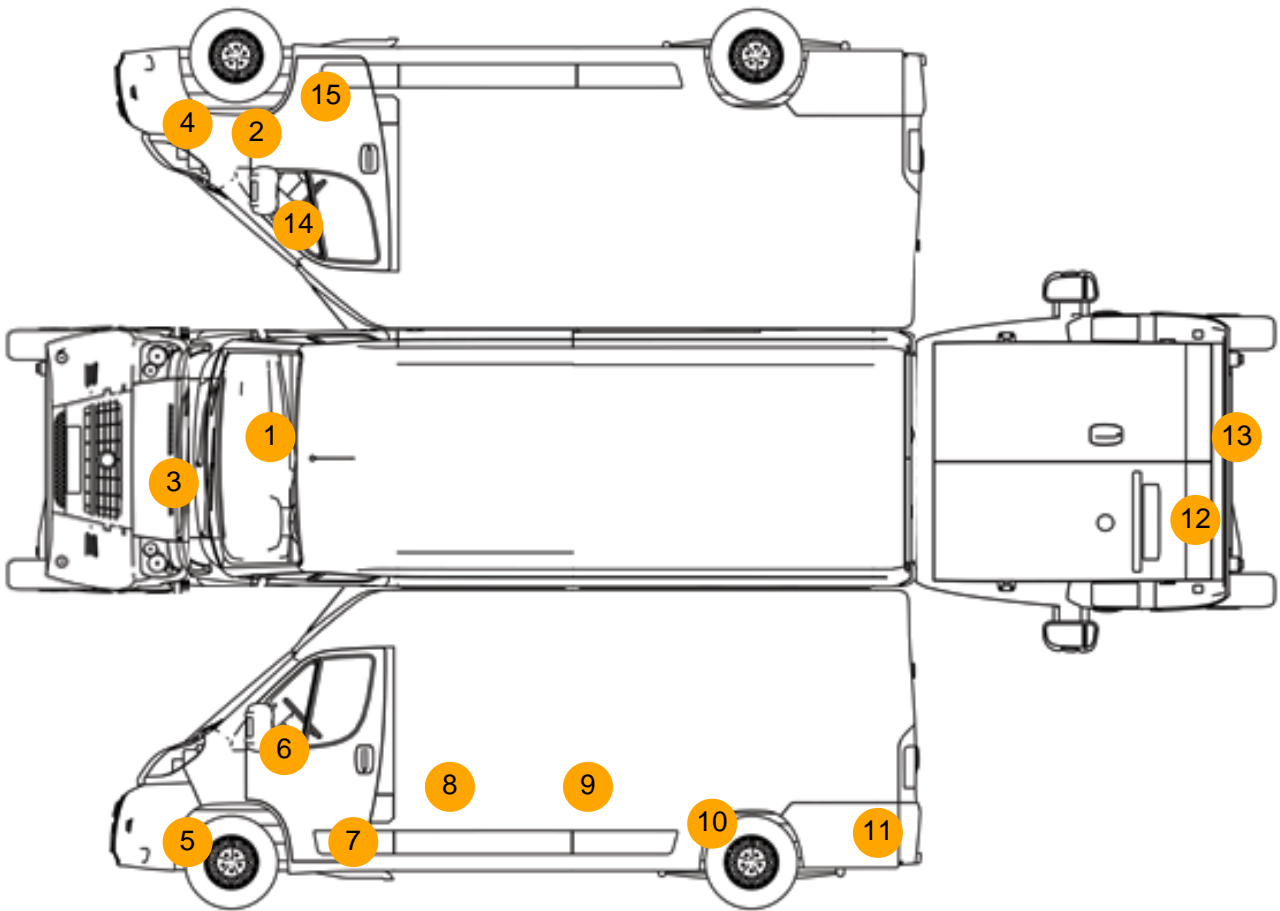
Photos







Condition Check



Damage Photos



1: Screen Front
Cracked
Replace



2: Wing of
Scratched
Over 25mm Thru Paint



3: Bonnet
Dented
With Paint Damage

4: Bumper Front Moulding
Scuffed (Unpainted)
Over 100mm



5: Bumper Front Moulding
Scuffed (Unpainted)
Over 100mm

6: Door Mirror Assy nsf
Scuffed (Unpainted)
Over 100mm



7: Door nsf
Dented
With Paint Damage

8: Door nsr
Dented
With Paint Damage



9: Door nsr
Dented
Over 30mm

10: Qtr Panel nsr
Dented
With Paint Damage



11: Qtr Panel nsr
Dented
With Paint Damage

12: Door nsr
Dented
Between 10mm + 30mm



13: Bumper Rear Moulding
Scuffed (Unpainted)
Over 100mm

14: Door Mirror Assy of
Scuffed (Unpainted)
UpTo 100mm



15: Wing of
Dented
Between 10mm + 30mm

16: Carpets Front
Holed
Over 3mm

Interior

Carpet Condition	Average	Upholstery Condition	Average
Seat Condition	Average	Odour	No
Engine Runs	OK	Gearbox 1st and Reverse Test	OK
Brakes	OK	Clutch Slip Test from Static	OK
Parking Brake	OK	Gearbox Static Gear Selection (engine running)	OK
		No Excessive Smoking	OK
EML light illuminated	Fault	Oil warning light illuminated	OK
Airbag light illuminated	OK	DPF light illuminated	OK
ABS light illuminated	OK	Service indicator light illuminated	OK