



COMMERCIAL VEHICLE AUCTIONS LTD
THE UK'S MOST ESTABLISHED COMMERCIAL VEHICLE AUCTIONEERS

Carr Hill Industrial Estate
Doncaster
DN4 8DE

01302 732600 | cva.noreply@cva-auctions.co.uk

VEHICLE INSPECTION REPORT

SD22DHN

Renault Master 2.3 LM35dCi 135PS

Inspection		Vehicle	
Serious Damage?	No	VAT	Plus VAT
		V5	Buyer To Apply

Details					
Reg. date	30/03/2022	Colour	WHITE	CAP Average	£10,200.00
Year	2022	VIN	VF1MA000968689947	CAP Below	£8,575.00
Mileage	58,103 Miles Not Warranted	Body Style	Panel Van LWB	Gearbox	MANUAL
Fuel Type	Diesel	MOT Due	Expired	Gears	6
GVW	3500kg	CAP Clean	£11,200.00		

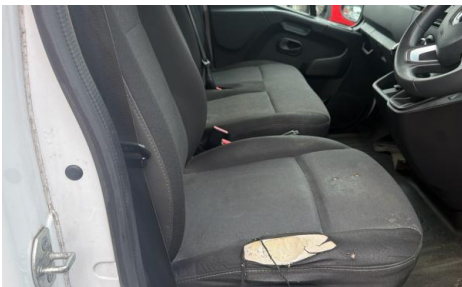
WARNING LIGHTS ON DASH SIDE LOAD DOOR, E/MIRRORS

Tyres
NSF
NSR
OSF
OSR
Spare

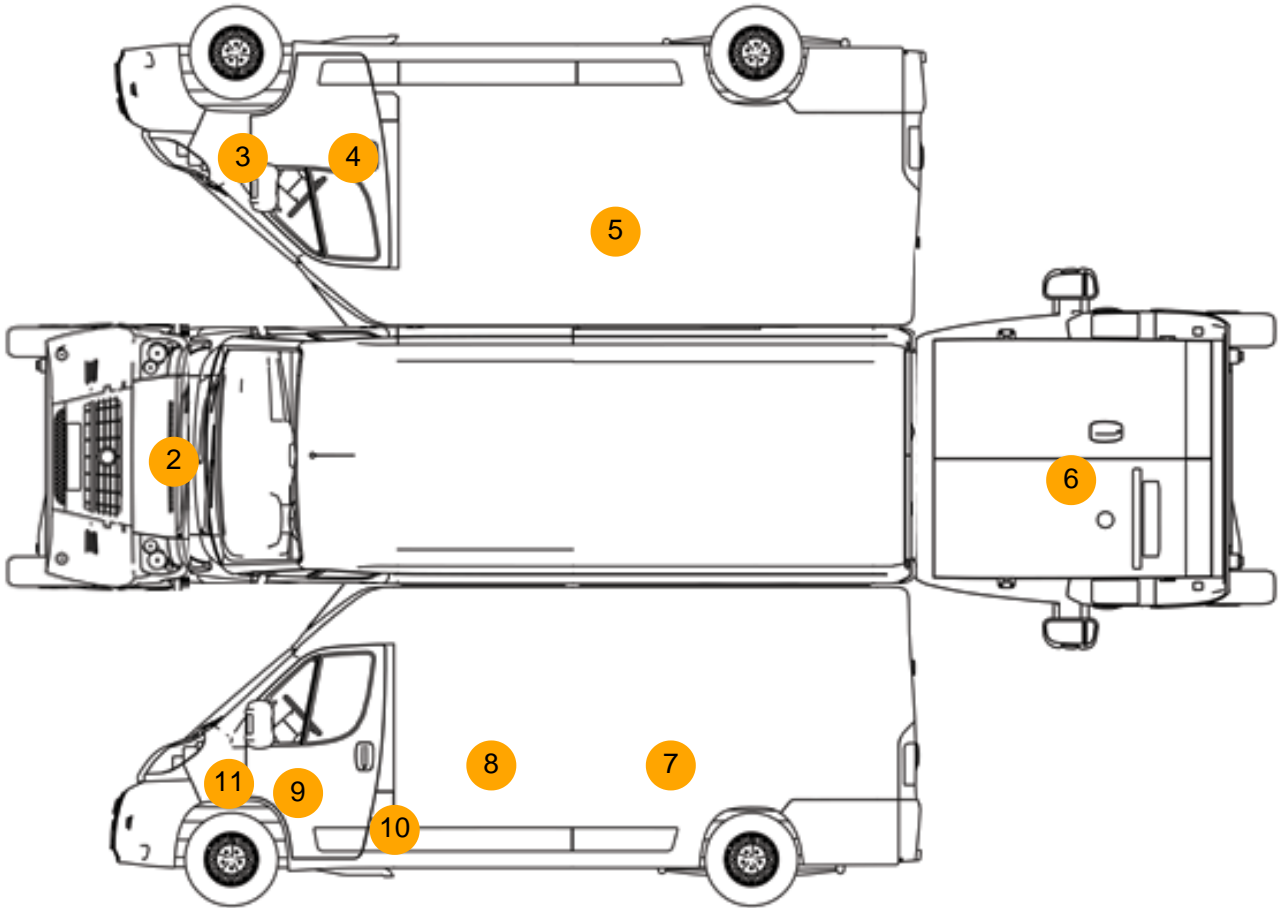
Features

- Radio/CD
- Front electric windows
- Central locking

Photos



Condition Check



Damage Photos



1: Seat Base Cover of
Torn
Over 3mm

2: Bonnet
Dented
With Paint Damage



3: Wing osf
Dented
With Paint Damage

4: Door osf
Dented
With Paint Damage



5: Qtr Panel osr
Dented
With Paint Damage

6: Tailgate
Dented
With Paint Damage



7: Qtr Panel nsr
Dented
With Paint Damage

8: Door nsr
Dented
With Paint Damage



9: Door nsf
Dented
With Paint Damage

10: Qtr Panel Moulding ns
Broken
Replace



11: Wing nsf
Dented
With Paint Damage

Interior

Carpet Condition	Average	Upholstery Condition	Average
Seat Condition	Average	Odour	No
Engine Runs	OK	Gearbox 1st and Reverse Test	OK
Brakes	OK	Clutch Slip Test from Static	OK
Turbo Boosting	OK	Gearbox Static Gear Selection (engine running)	OK
Parking Brake	OK	No Excessive Smoking	OK
EML light illuminated	Fault	Oil warning light illuminated	OK
Airbag light illuminated	OK	DPF light illuminated	OK
ABS light illuminated	OK	Service indicator light illuminated	OK

Windows

OK

Radio

OK

Steering

OK