



**COMMERCIAL VEHICLE AUCTIONS LTD**  
THE UK'S MOST ESTABLISHED COMMERCIAL VEHICLE AUCTIONEERS

Carr Hill Industrial Estate  
Doncaster  
DN4 8DE

01302 732600 | cva.noreply@cva-auctions.co.uk

# VEHICLE INSPECTION REPORT

**YR68RXA**

## Ford Transit Custom 2.0 TDCi 105PS

**Non Runner**  
Inspection

Inspection		Vehicle	
Serious Damage?	No	VAT	Plus VAT
		V5	To Follow

### Details

Reg. date	19/11/2018	Colour	WHITE	CAP Average	£4,550.00
Year	2018	VIN	WF0YXTTGYJY25190	CAP Below	£3,450.00
Mileage	109,411 Miles Warranted	Body Style	Panel Van L1	Gearbox	MANUAL
Fuel Type	Diesel	MOT Due	09/09/2026	Gears	6
GVW	2800kg	CAP Clean	£5,350.00		

\*NON-RUNNER, TURNS OVER DOES NOT START, SLAM LOCKS NO KEYS\* SIDE LOAD DOOR, AD-BLUE.

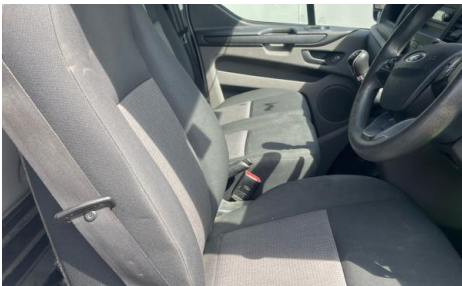
### Tyres

NSF	
NSR	
OSF	
OSR	
Spare	

## Features

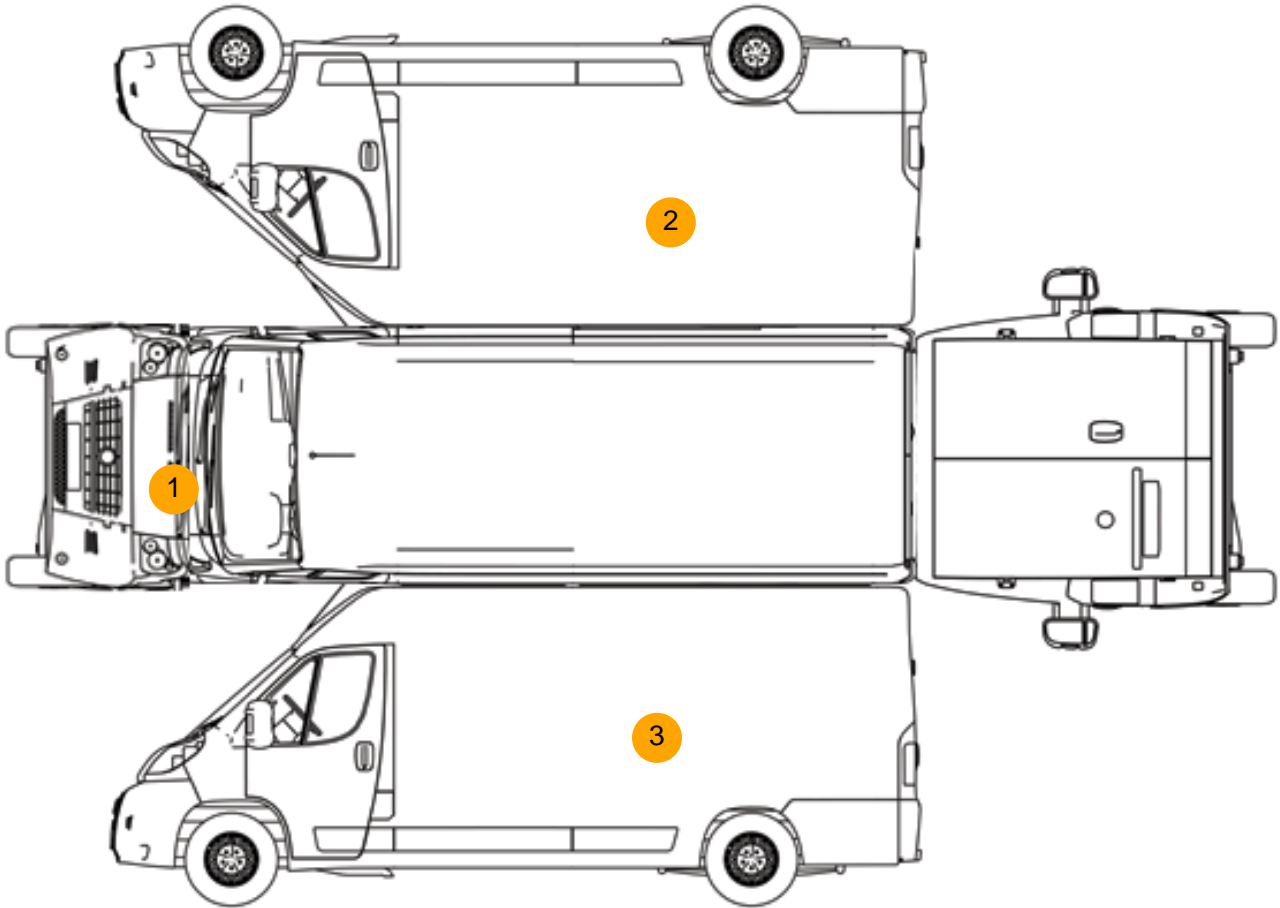
- Radio/CD
- Front electric windows
- Central locking

## Photos





## Condition Check



## Damage Photos



1: Bonnet  
Chipped  
Over 5mm



2: Qtr Panel osr  
Scratched  
Over 25mm Not Thru Paint



3: Door nsr  
Dented  
Over 30mm

**Interior**

Carpet Condition	Average	Upholstery Condition	Average
Seat Condition	Average	Odour	No
Engine Runs	Fault	Gearbox 1st and Reverse Test	Fault
Brakes	Fault	Clutch Slip Test from Static	Fault
Turbo Boosting	Fault	Gearbox Static Gear Selection (engine running)	Fault
Parking Brake	Fault	No Excessive Smoking	Fault
EML light illuminated	Fault	Oil warning light illuminated	Fault
Airbag light illuminated	Fault	DPF light illuminated	Fault
ABS light illuminated	Fault	Service indicator light illuminated	Fault
Windows	OK	Radio	OK
		Steering	Fault