



**COMMERCIAL VEHICLE AUCTIONS LTD**  
THE UK'S MOST ESTABLISHED COMMERCIAL VEHICLE AUCTIONEERS

Carr Hill Industrial Estate  
 Doncaster  
 DN4 8DE

01302 732600 | [cva.noreply@cva-auctions.co.uk](mailto:cva.noreply@cva-auctions.co.uk)

# VEHICLE INSPECTION REPORT

**BJ20AFA**

## Ford Transit 350 2.0 ECOBLUE 130PS

**Non Runner**

Inspection		Vehicle	
Serious Damage?	No	VAT	Plus VAT
		V5	To Follow

Details					
Reg. date	22/03/2020	Colour	WHITE	CAP Average	£6,900.00
Year	2020	VIN	WF0AXXTTRAKM32302	CAP Below	£5,525.00
Mileage	TBC	Body Style	Dropside L4	Gearbox	MANUAL
Fuel Type	Diesel	MOT Due	12/02/2027	Gears	6
GVW	3500kg	CAP Clean	£7,850.00		

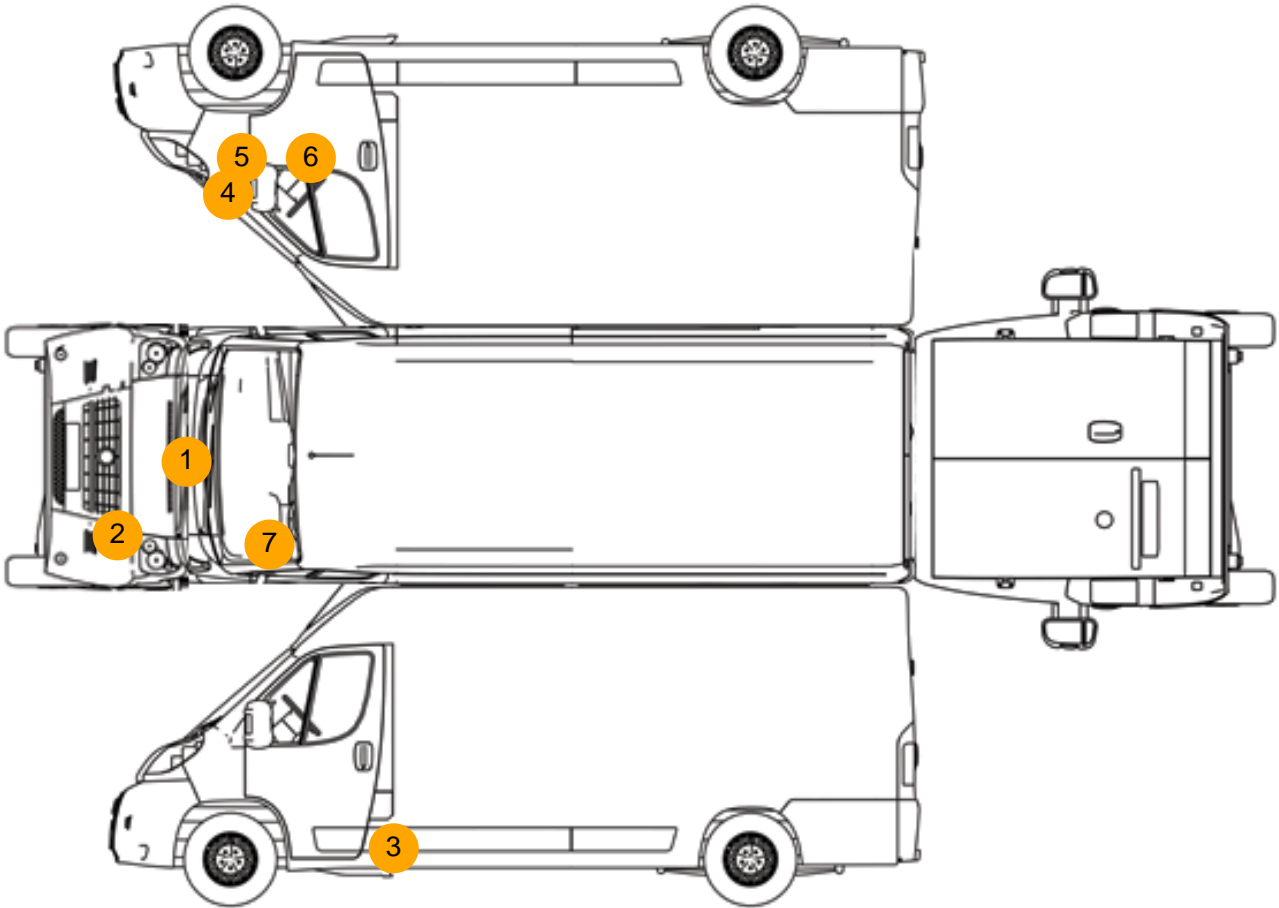
\*NON-RUNNER - ENGINE STRIPPED, OVERHEATING\* AD-BLUE, TOW BAR, MOT SHOWS 122,213 MILES  
 04/02/2026

<b>Tyres</b>
NSF
NSR
OSF
OSR
Spare

## Features

- Bluetooth connection
- Front electric windows
- Cloth seat trim
- Park assist camera
- Drivers airbag
- Auxiliary input socket
- Passenger airbag
- Digital radio
- Central locking

## Condition Check



## Damage Photos



1: Bonnet  
Chipped  
Multiple Chips

2: Bumper Front Moulding  
Missing  
Replace



3: Door Moulding nsf  
Missing  
Replace

4: Wing osf  
Scratched  
Over 25mm Not Thru Paint



5: Wing osf  
Scratched  
Over 25mm Not Thru Paint

6: Door osf  
Dented  
Over 30mm



7: Screen Front  
Cracked  
Replace

8: Door Pad osf  
Soiled  
Heavy



9: Seat Base Cover nsf  
Soiled  
Heavy

### Interior

<b>Carpet Condition</b>	OK	<b>Upholstery Condition</b>	Poor
<b>Seat Condition</b>	Poor	<b>Odour</b>	-
<b>Engine Runs</b>		<b>Fault</b>	