



COMMERCIAL VEHICLE AUCTIONS LTD
THE UK'S MOST ESTABLISHED COMMERCIAL VEHICLE AUCTIONEERS

Carr Hill Industrial Estate
Doncaster
DN4 8DE

01302 732600 | cva.noreply@cva-auctions.co.uk

VEHICLE INSPECTION REPORT

PJ19RFN

Mercedes-Benz Sprinter 316 CDI

Non Runner

Inspection		Vehicle	
Serious Damage?	No	VAT	Plus VAT
		V5	To Follow

Details

Reg. date	27/08/2019	Colour	WHITE	CAP Average	£7,700.00
Year	2019	VIN	WDB9076332P096947	CAP Below	£5,975.00
Mileage	131,723 Miles Warranted	Body Style	Panel Van L2	Gearbox	MANUAL
Fuel Type	Diesel	MOT Due	24/09/2026	Gears	4
GVW	3500kg	CAP Clean	£8,925.00		

NON-RUNNER, POWERS UP DOES NOT CRANK *SIDE DOOR DOESNT CLOSE* SIDE LOADING DOOR, ON BOARD COMPRESSOR & 110V OUTLETS

Tyres

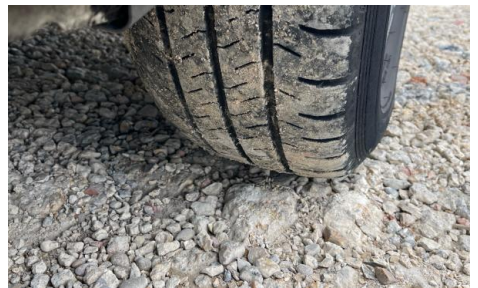
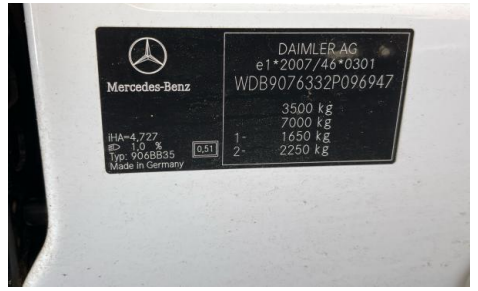
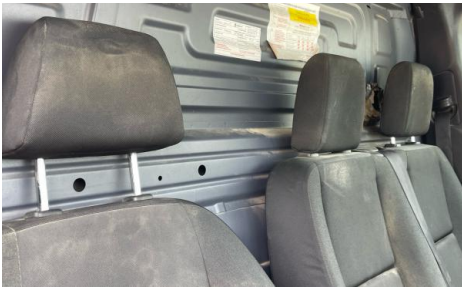
NSF	
NSR	
OSF	
OSR	
Spare	

Features

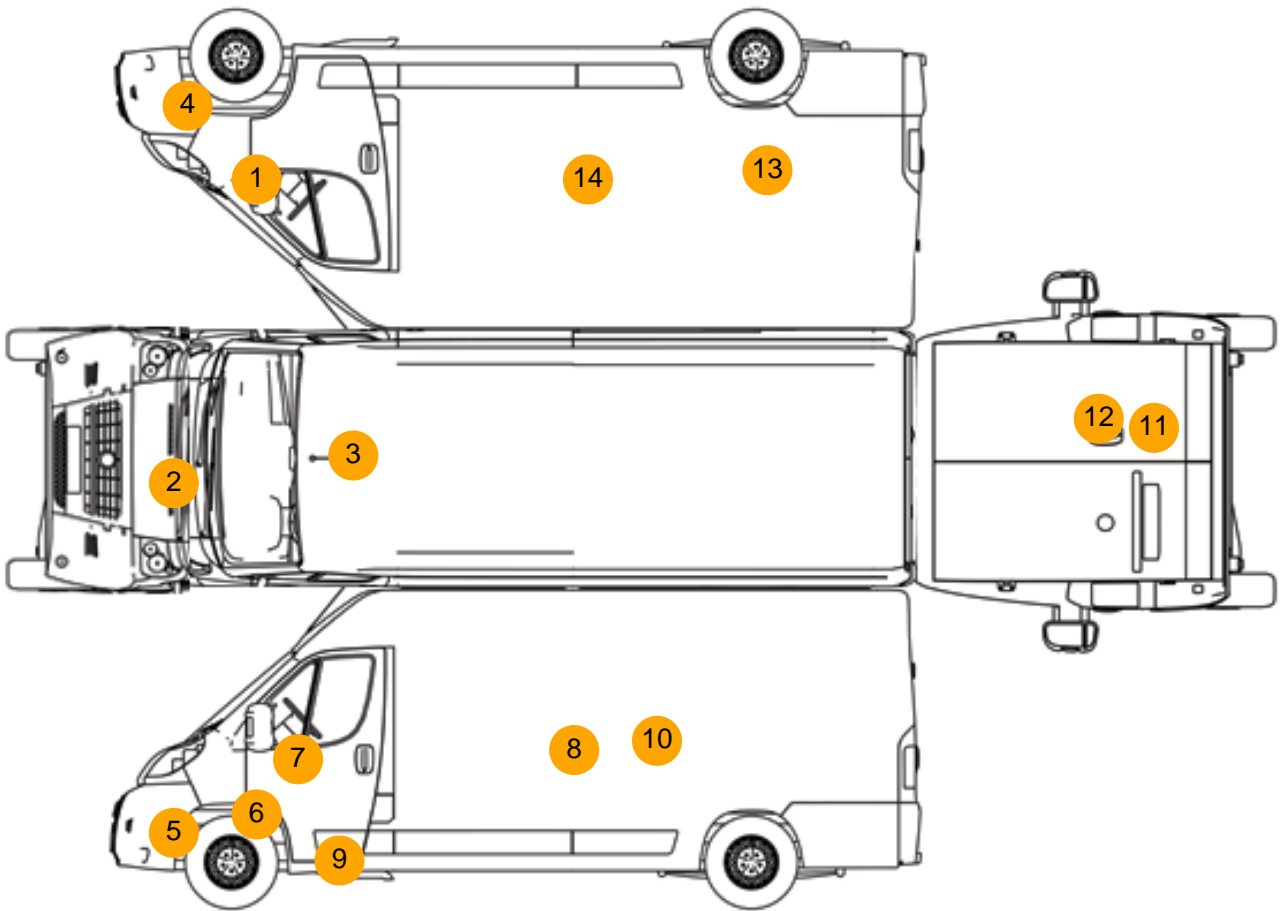
- Air conditioning
- Front electric windows

Photos





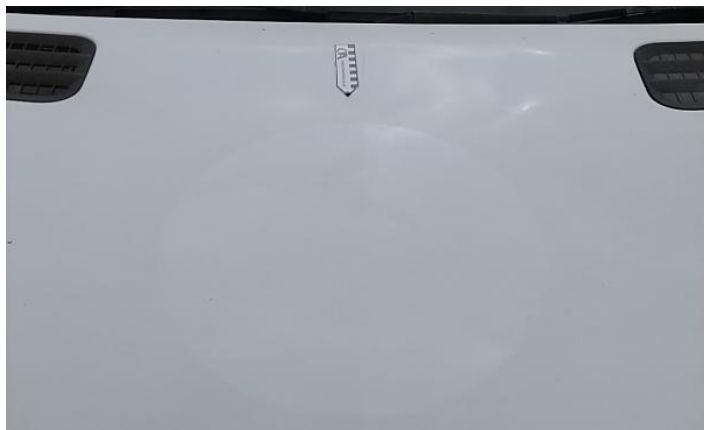
Condition Check



Damage Photos



1: Wing of
Scratched
Over 25mm Thru Paint



2: Bonnet
Chipped
Multiple Chips



3: Roof
Rusted
Over 5mm

4: Bumper Front Moulding
Scuffed (Unpainted)
Over 100mm



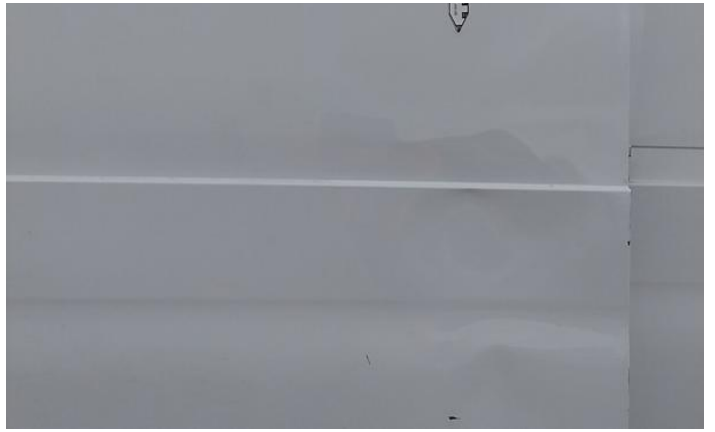
5: Bumper Front Moulding
Scuffed (Unpainted)
Over 100mm

6: Wing nsf
Dented
With Paint Damage



7: Door Mirror Assy nsf
Scuffed (Unpainted)
Over 100mm

8: Handle Outer osr
Broken
Replace



9: Door nsf
Dented
With Paint Damage

10: Door nsr
Dented
Over 30mm



11: Door osr
Dented
With Paint Damage

12: Door osr
Dented
With Paint Damage



13: Qtr Panel osr
Dented
With Paint Damage

14: Qtr Panel osr
Dented
Between 10mm + 30mm



15: Seat Base Cover of
Holed
Over 3mm

Interior

Carpet Condition
Seat Condition

Average
Average

Upholstery Condition
Odour

Average
No

Engine Runs Fault