



COMMERCIAL VEHICLE AUCTIONS LTD
THE UK'S MOST ESTABLISHED COMMERCIAL VEHICLE AUCTIONEERS

Carr Hill Industrial Estate
Doncaster
DN4 8DE

01302 732600 | cva.noreply@cva-auctions.co.uk

VEHICLE INSPECTION REPORT

PF19TKO

Daf CF 410

Inspection		Vehicle	
Serious Damage?	No	VAT	Plus VAT
		V5	To Follow

Details					
Reg. date	05/06/2019	Colour	WHITE	Gearbox	AUTOMATIC
Year	2019	VIN	XLRACM4100G240908	Axle Combi	8x2
Mileage	242,844 Km Warranted	Body Style	Beavertail	Rear Suspension	Air
Fuel Type	Diesel	MOT Due	31/07/2026		
GVW	32000kg	Cab Type	DAY CAB		

CHEESE WEGDE, SURROUND CAMERA SYSTEM, WINCH, REAR LIFT

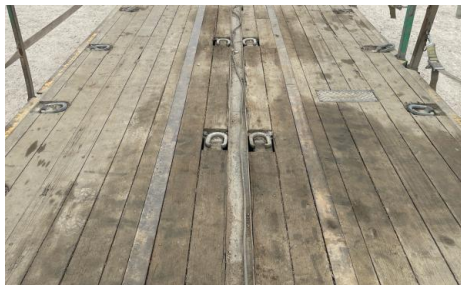
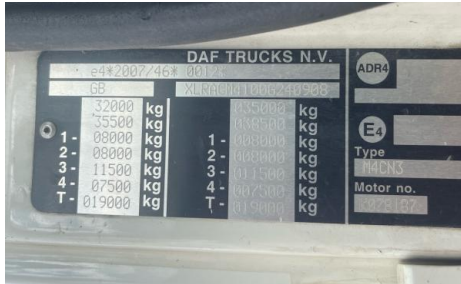
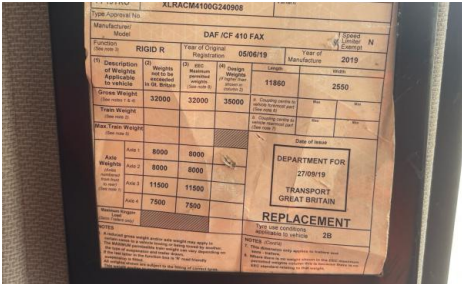
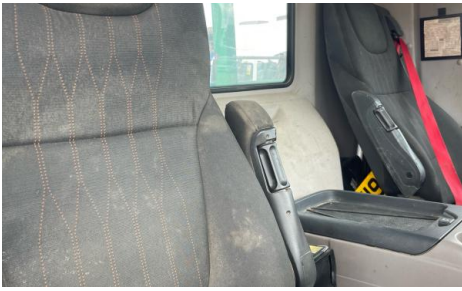
Tyres				
NSF	NSI1	NSI2	NSI3	NSI4
OSF	OSI1	OSI2	OSI3	OSI4
Spare	NSO1	NSO2	NSO3	NSO4
	OSO1	OSO2	OSO3	OSO4

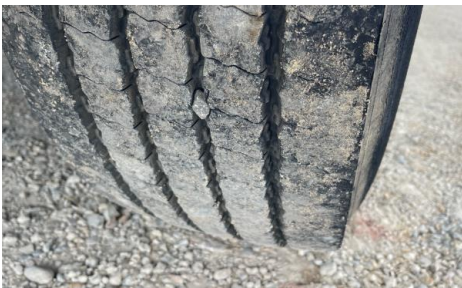
Features

- Park assist camera
- Air conditioning

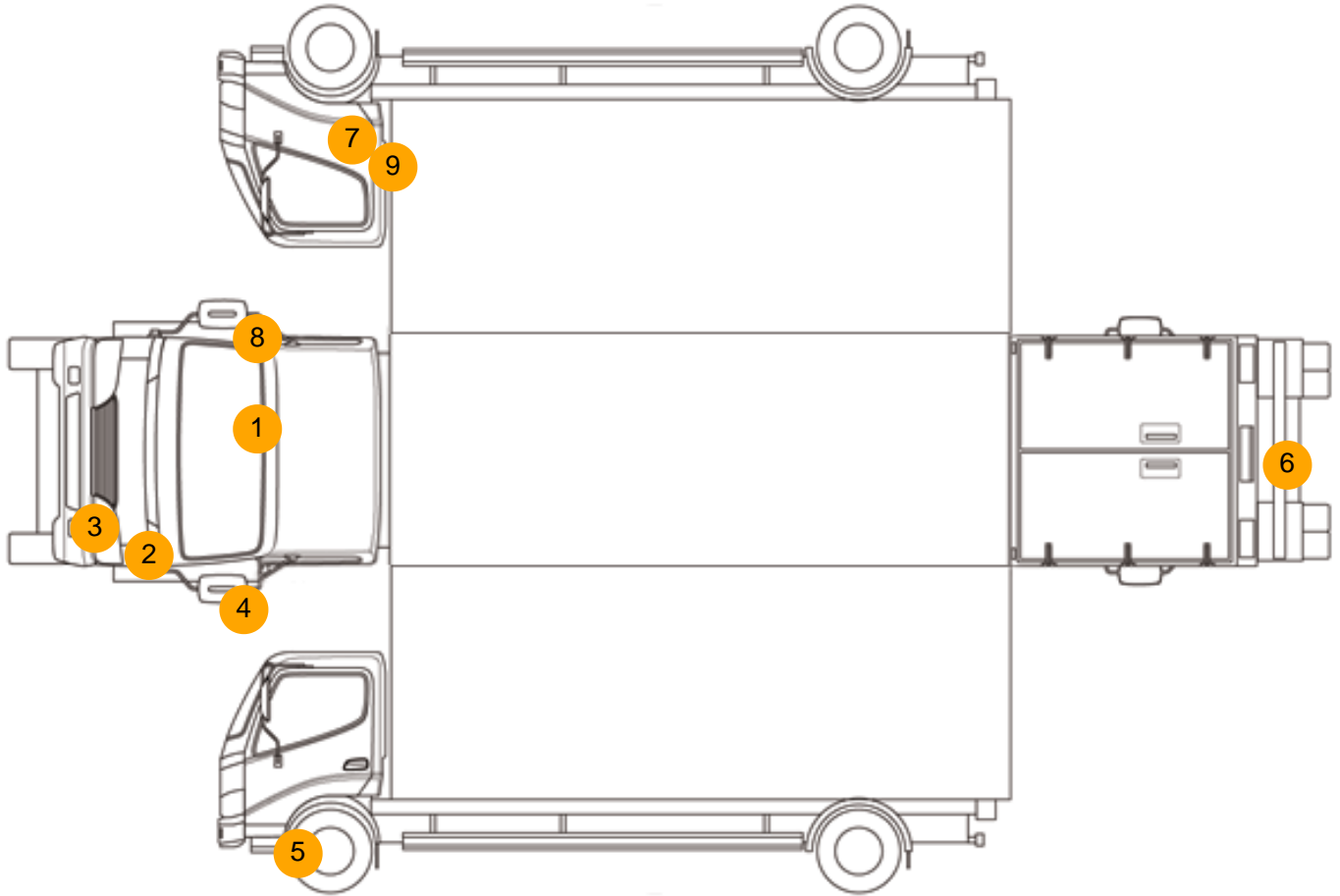
Photos







Condition Check



Damage Photos



1: Screen Front
Chipped
UpTo 10mm



2: Fog Lamp Surrounds
Broken
Replace



3: Bumper Front
Dented
Over 30mm

4: Door Mirror Assy nsf
Broken
Replace



5: Wing Front Arch Extension ns
Scuffed (Unpainted)
Over 100mm

6: Bumper Rear
Rusted
Over 5mm



7: Wing Front Arch Extension os
Scuffed (Unpainted)
Over 100mm

8: Door Mirror Assy osf
Scuffed (Unpainted)
Over 100mm



9: Door osf
Dented
With Paint Damage

10: Seat Base Cover osf
Holed
Over 3mm

Interior

Carpet Condition	Average	Upholstery Condition	Average
Seat Condition	Average	Odour	-
Engine Runs	OK	Gearbox 1st and Reverse Test	OK
Brakes	OK	Clutch Slip Test from Static	OK
Parking Brake	OK	Gearbox Static Gear Selection (engine running)	OK
		No Excessive Smoking	OK
EML light illuminated	OK	Oil warning light illuminated	OK
Airbag light illuminated	OK	DPF light illuminated	OK
ABS light illuminated	OK	Service indicator light illuminated	OK