



COMMERCIAL VEHICLE AUCTIONS LTD
THE UK'S MOST ESTABLISHED COMMERCIAL VEHICLE AUCTIONEERS

Carr Hill Industrial Estate
Doncaster
DN4 8DE

01302 732600 | cva.noreply@cva-auctions.co.uk

VEHICLE INSPECTION REPORT

KR72NNO

Renault T 480

| Inspection | | Vehicle | |
|-----------------|----|---------|----------|
| Serious Damage? | No | VAT | Plus VAT |
| | | V5 | Present |

| Details | | | |
|-----------|----------------------|-----------------|-------------------|
| Reg. date | 25/01/2023 | Colour | WHITE |
| Year | 2023 | VIN | VF611C363PD004204 |
| Mileage | 515,751 Km Warranted | Body Style | Tractor Unit |
| Fuel Type | Diesel | MOT Due | 30/11/2026 |
| GVW | 44000kg | Cab Type | SLEEPER CAB |
| | | Gearbox | AUTOMATIC |
| | | Axle Combi | 6x2 |
| | | Steering Combi | Mid-Lift |
| | | Rear Suspension | Air |

SURROUND CAMERA SYSTEM, SLIDING 5TH WHEEL, FRIDGE

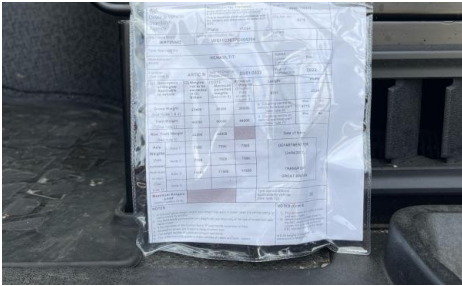
| Tyres | | | | |
|-------|------|------|------|------|
| NSF | NSI1 | NSI2 | NSI3 | NSI4 |
| OSF | OSI1 | OSI2 | OSI3 | OSI4 |
| Spare | NSO1 | NSO2 | NSO3 | NSO4 |
| | OSO1 | OSO2 | OSO3 | OSO4 |

Features

- Air conditioning

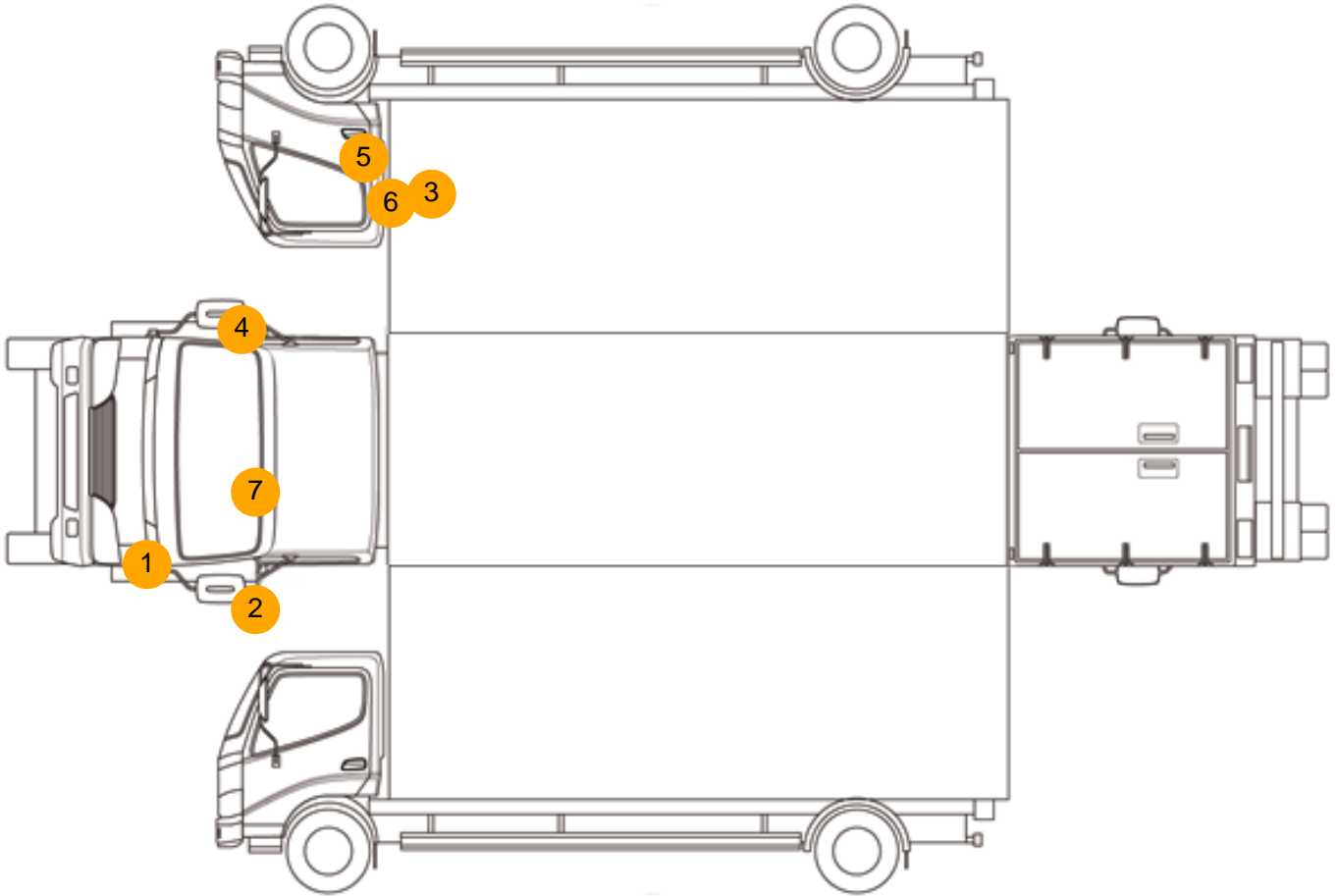
Photos







Condition Check



Damage Photos



1: Bumper Front Moulding
Scuffed (Unpainted)
Over 100mm



2: Door Mirror Assy nsf
Scuffed (Unpainted)
Over 100mm



3: Qtr Panel osr
Scratched
UpTo 25mm Not Thru Paint

4: Door Mirror Assy osf
Scuffed (Unpainted)
UpTo 100mm



5: Door osf
Chipped
1 To 5

6: Door osf
Chipped
Edge Chip



7: Screen Front
Chipped
Over 10mm

Interior

| | | | |
|--------------------------|----|--|----|
| Carpet Condition | OK | Upholstery Condition | OK |
| Seat Condition | OK | Odour | - |
| Engine Runs | OK | Gearbox 1st and Reverse Test | OK |
| Brakes | OK | Clutch Slip Test from Static | OK |
| Parking Brake | OK | Gearbox Static Gear Selection (engine running) | OK |
| | | No Excessive Smoking | OK |
| EML light illuminated | OK | Oil warning light illuminated | OK |
| Airbag light illuminated | OK | DPF light illuminated | OK |
| ABS light illuminated | OK | Service indicator light illuminated | OK |