



COMMERCIAL VEHICLE AUCTIONS LTD
THE UK'S MOST ESTABLISHED COMMERCIAL VEHICLE AUCTIONEERS

Carr Hill Industrial Estate
Doncaster
DN4 8DE

01302 732600 | cva.noreply@cva-auctions.co.uk

VEHICLE INSPECTION REPORT

SY22UHR

Ford Ranger 2.0 TDCI EcoBlue 170PS

Inspection		Vehicle	
Serious Damage?	No	VAT	Plus VAT
		V5	Present

Details					
Reg. date	31/05/2022	VIN	6FPPXXMJ2PNY77490	CAP Average	£11,250.00
Year	2022	Body Style	Pickup Double Cab	CAP Below	£9,450.00
Mileage	68,223 Miles Warranted	Service history	Yes	Gearbox	MANUAL
Fuel Type	Diesel	Service documents	Service Book	Gears	6
GVW	3270kg	MOT Due	30/05/2026		
Colour	WHITE	CAP Clean	£12,350.00		

TOW BAR, E/MIRRORS, LEATHER, HEAD WINDSCREEN, AD-BLUE.

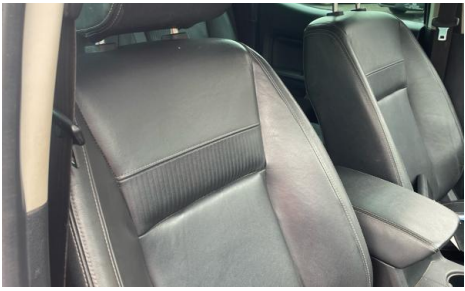
Tyres
NSF
NSR
OSF
OSR
Spare

Features

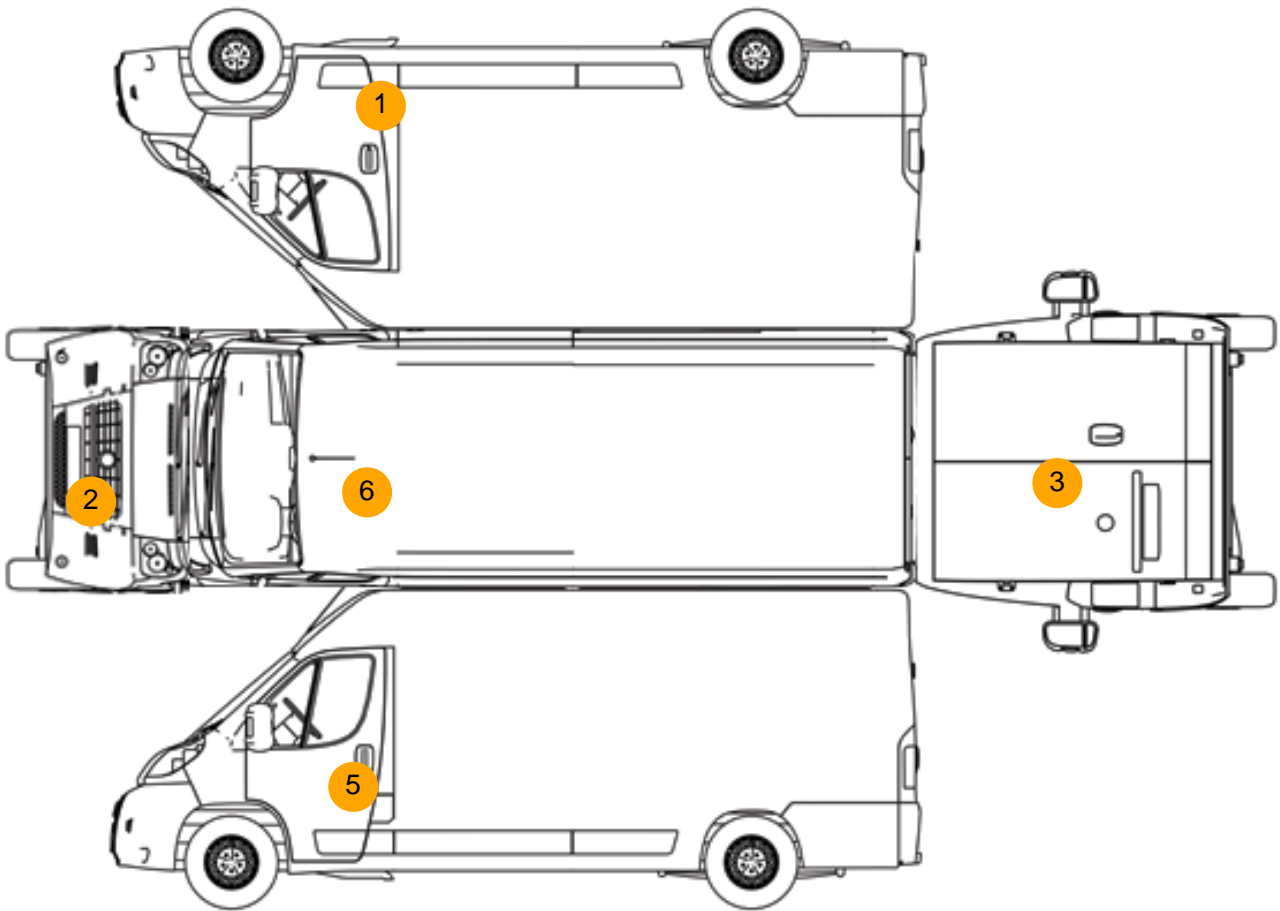
- Heated front seat
- Air conditioning
- Navigation system
- Front electric windows
- Rear parking sensor
- Central locking
- Radio/CD

Photos





Condition Check



Damage Photos



1: Sill os
Rusted
Over 5mm

2: Bumper Front
Chipped
Over 5mm



3: Tailgate
Dented
Over 30mm

4: Handle Outer nsr
Broken
Replace



5: Door nsf
Dented
Over 30mm

6: Roof
Rusted
UpTo 5mm

Interior

Carpet Condition	Average	Upholstery Condition	Average
Seat Condition	Average	Odour	No
Engine Runs	OK	Gearbox 1st and Reverse Test	OK
Brakes	OK	Clutch Slip Test from Static	OK
Turbo Boosting	OK	Gearbox Static Gear Selection (engine running)	OK
Parking Brake	OK	No Excessive Smoking	OK
EML light illuminated	OK	Oil warning light illuminated	OK
Airbag light illuminated	OK	DPF light illuminated	OK
ABS light illuminated	OK	Service indicator light illuminated	OK

Windows	OK	Radio	OK
Sat nav	OK	Steering	OK