



COMMERCIAL VEHICLE AUCTIONS LTD
THE UK'S MOST ESTABLISHED COMMERCIAL VEHICLE AUCTIONEERS

Carr Hill Industrial Estate
Doncaster
DN4 8DE

01302 732600 | cva.noreply@cva-auctions.co.uk

VEHICLE INSPECTION REPORT

GH17FVU

Volvo FH 500

Inspection		Vehicle	
Serious Damage?	No	VAT	Plus VAT
		V5	Present

Details			
Reg. date	07/08/2017	Colour	WHITE
Year	2017	VIN	YV2RT40C1HB812834
Mileage	887,699 Km Not Warranted	Body Style	Tractor Unit
Fuel Type	Diesel	MOT Due	31/08/2026
GVW	44000kg	Cab Type	GLOBETROTTER CAB
		Gearbox	AUTOMATIC
		Axle Combi	6x2
		Steering Combi	Mid-Lift
		Rear Suspension	Air

SINGLE LINE PTO HYDRAULICS, SLIDING 5TH WHEEL

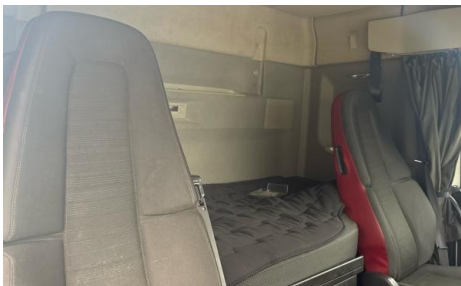
Tyres				
NSF	NSI1	NSI2	NSI3	NSI4
OSF	OSI1	OSI2	OSI3	OSI4
Spare	NSO1	NSO2	NSO3	NSO4
	OSO1	OSO2	OSO3	OSO4

Features

- Bluetooth connection
- Front electric windows
- Cruise control
- Drivers airbag
- Digital radio
- Central locking
- Air conditioning
- Cloth seat trim

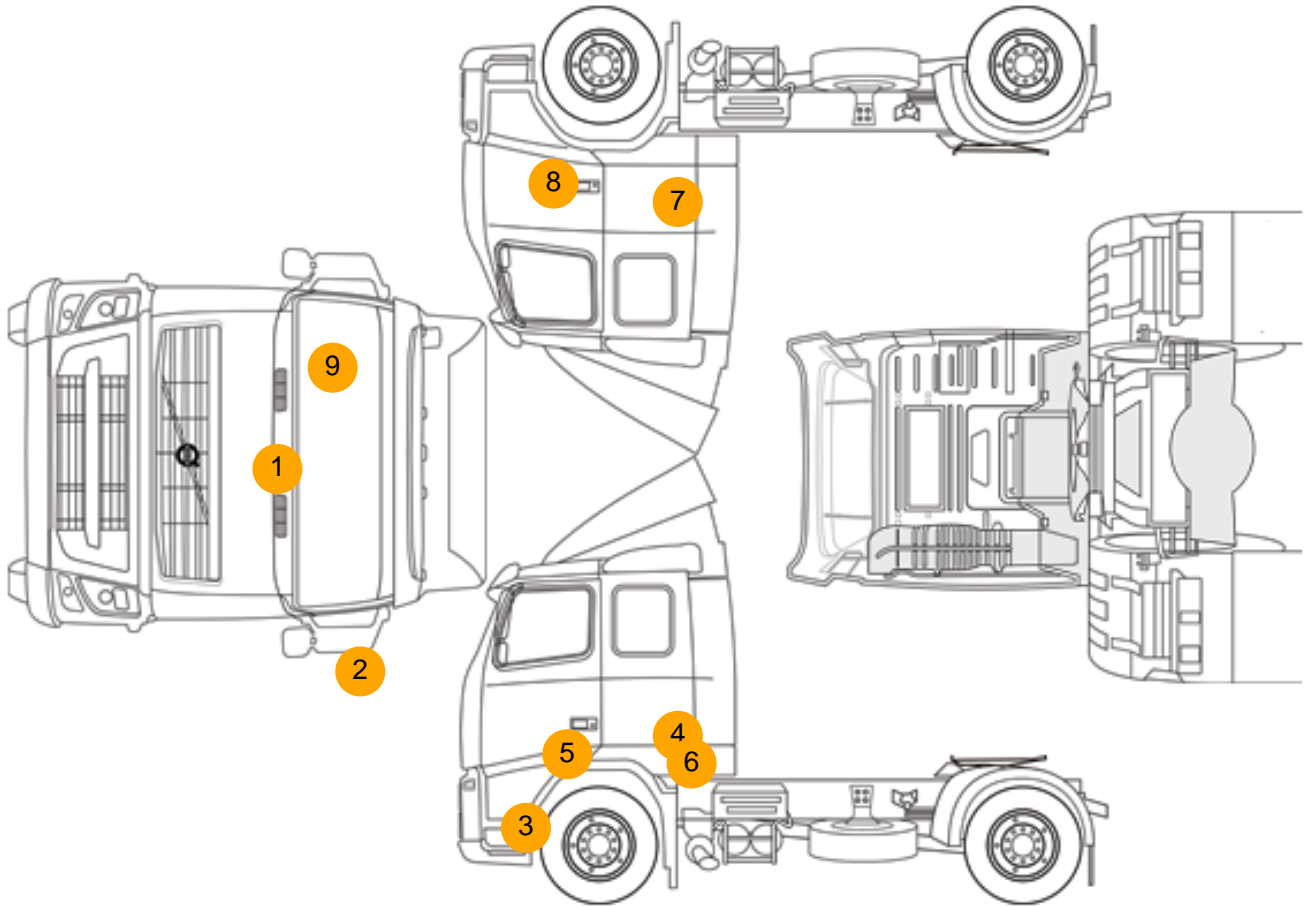
Photos







Condition Check



Damage Photos



1: Bonnet
Chipped
Multiple Chips

2: Door Moulding nsf
Broken
Replace



3: Door nsf
Dented
With Paint Damage



4: Qtr Panel nsr
Scratched
Over 25mm Not Thru Paint



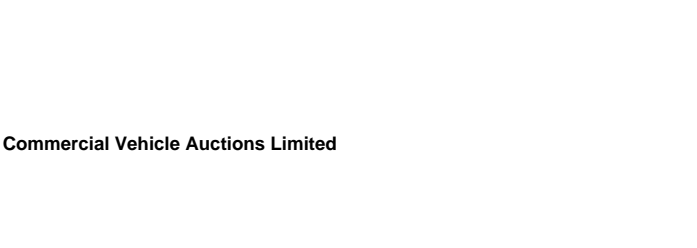
5: Door nsf
Chipped
Multiple Chips



6: Qtr Panel nsr
Chipped
Multiple Chips



7: Qtr Panel osr
Chipped
Multiple Chips



8: Door osf
Chipped
Multiple Chips





9: Screen Front
Chipped
Over 10mm

10: Door Pad of
Soiled
Heavy



11: Dash Warning Lights
Displayed
No Action

Interior

Carpet Condition	OK	Upholstery Condition	Poor
Seat Condition	OK	Odour	-
Engine Runs	OK	No Excessive Smoking	OK
EML light illuminated	OK	DPF light illuminated	OK
ABS light illuminated	OK		