



COMMERCIAL VEHICLE AUCTIONS LTD
THE UK'S MOST ESTABLISHED COMMERCIAL VEHICLE AUCTIONEERS

Carr Hill Industrial Estate
Doncaster
DN4 8DE

01302 732600 | cva.noreply@cva-auctions.co.uk

VEHICLE INSPECTION REPORT

YD67FAU

DAF LF 150

Inspection

Serious Damage? No

Vehicle

VAT Plus VAT

V5 Present

Details

Reg. date	27/10/2017	Colour	BLUE	Gearbox	MANUAL
Year	2017	VIN	XLRAEL1500L468206	Axle Combi	4x2
Mileage	229,284 Km Warranted	Body Style	Curtainside	Rear Suspension	Steel
Fuel Type	Diesel	MOT Due	30/11/2026	Rear Doors	Roller
GVW	7500kg	Cab Type	DAY CAB	Tail Lift	Column

WARNING LIGHTS ON DASH LAST TAIL LIFT 30/06/2026, SERVICE SCHEDULE LIST AVAILABLE

Tyres

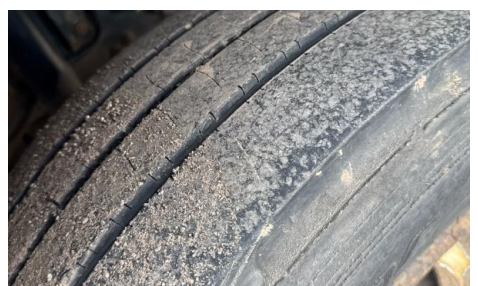
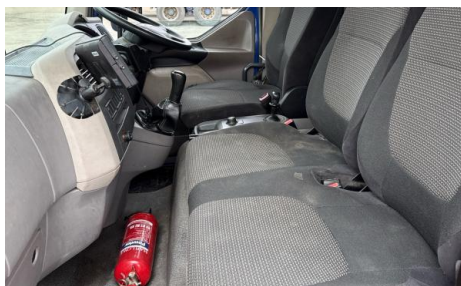
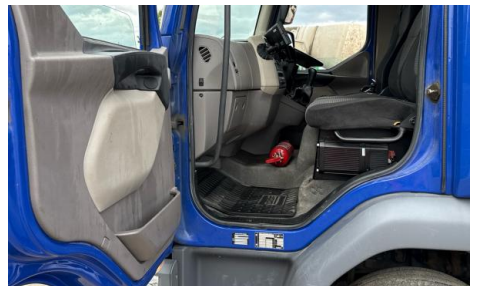
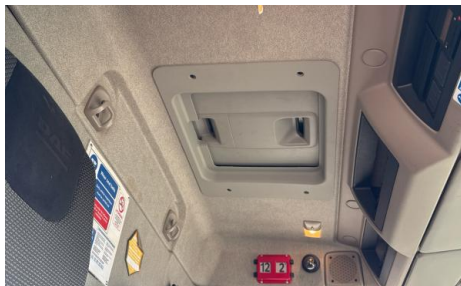
NSF	NSI1	NSI2	NSI3	NSI4
OSF	OSI1	OSI2	OSI3	OSI4
Spare	NSO1	NSO2	NSO3	NSO4
	OSO1	OSO2	OSO3	OSO4

Features

- Bluetooth connection
- Front electric windows
- Cruise control
- Central locking
- Park assist camera
- Cloth seat trim
- Digital radio

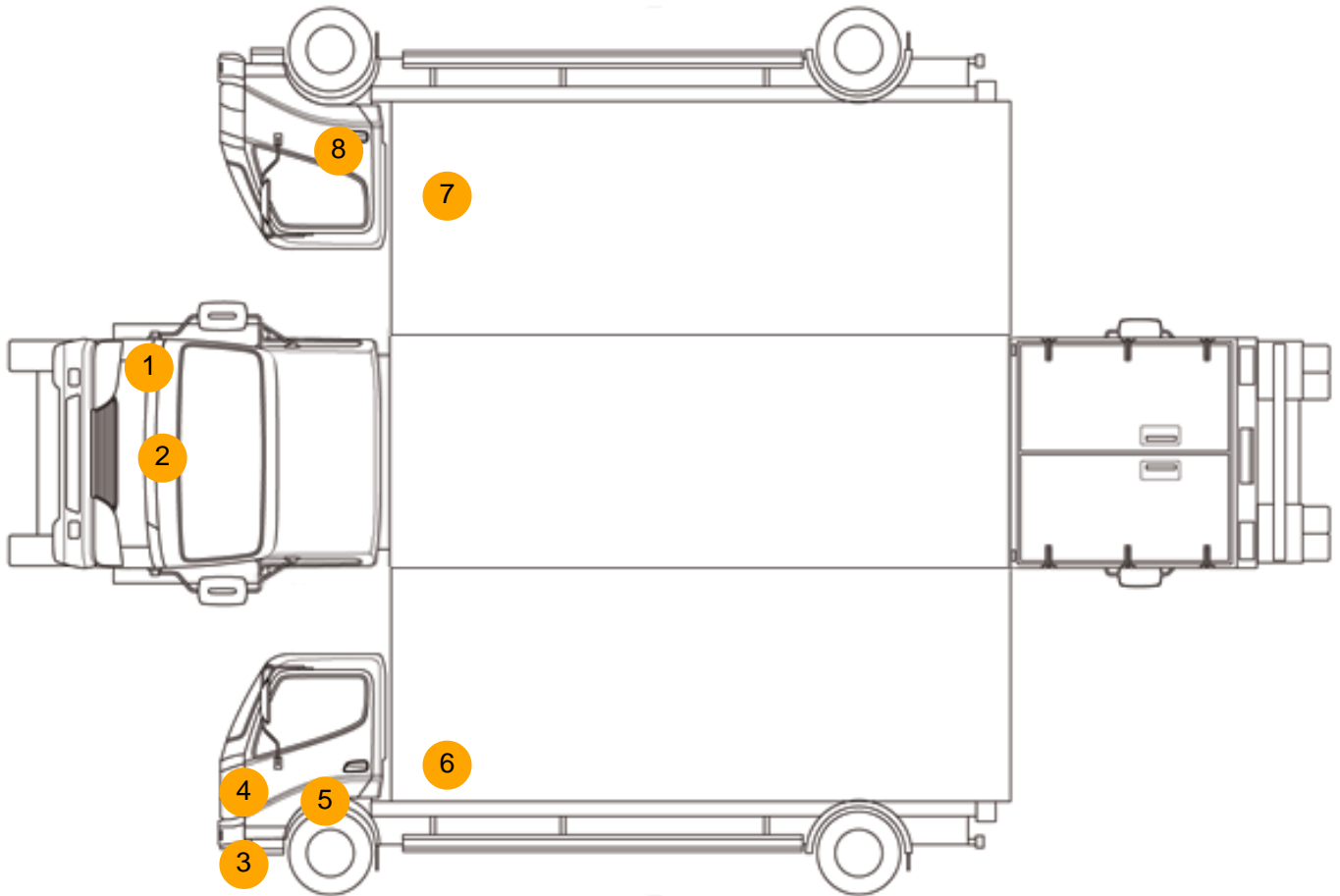
Photos







Condition Check



Damage Photos



1: Panel Front
Scratched
Over 25mm Thru Paint



2: Bonnet
Chipped
Multiple Chips



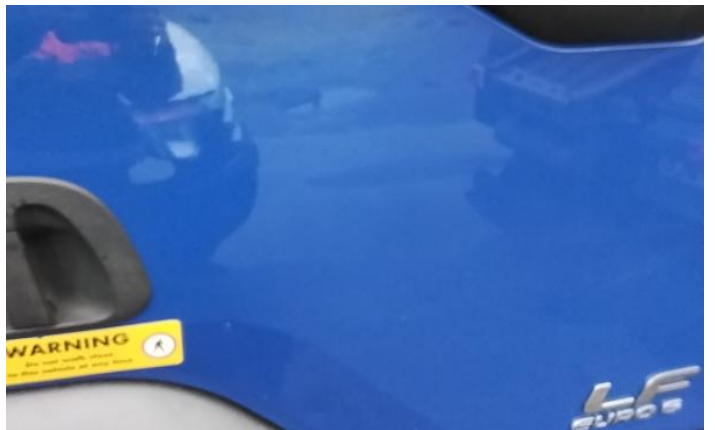
3: Bumper Front
Dented
With Paint Damage

4: Panel Front
Scratched
Over 25mm Thru Paint



5: Door nsf
Scratched
Over 25mm Thru Paint

6: Qtr Panel Trim ns
Scuffed
Over 25mm



7: Qtr Panel Trim os
Scuffed
Over 25mm

8: Door osf
Chipped
Multiple Chips



9: Door Pad osf
Soiled
Heavy

10: Seat Base Cover osf
Holed
Over 3mm



11: Seat Base Cover nsf
Soiled
Heavy

12: Dash Warning Lights
Displayed
No Action

Interior

Carpet Condition
Seat Condition

OK
Poor

Upholstery Condition
Odour

Poor
-

Engine Runs	OK	No Excessive Smoking	OK
EML light illuminated	OK	DPF light illuminated	OK
ABS light illuminated	OK		