



**COMMERCIAL VEHICLE AUCTIONS LTD**  
THE UK'S MOST ESTABLISHED COMMERCIAL VEHICLE AUCTIONEERS

Carr Hill Industrial Estate  
Doncaster  
DN4 8DE

01302 732600 | cva.noreply@cva-auctions.co.uk

# VEHICLE INSPECTION REPORT

**PF70U00**

## Fiat Ducato 35 2.3 MULTI JET 140PS

Inspection		Vehicle	
Serious Damage?	No	VAT	Plus VAT
		V5	Present

Details					
Reg. date	10/02/2021	Colour	MULTI-COLOURED	CAP Average	£4,550.00
Year	2021	VIN	ZFA25000002P45201	CAP Below	£3,725.00
Mileage	109,581 Miles Warranted	Body Style	Dropside MWB	Gearbox	MANUAL
Fuel Type	Diesel	MOT Due	10/01/2027	Gears	6
GVW	3500kg	CAP Clean	£5,100.00	Tail Lift	Column

\*NEEDS NEW ENGINE\* \*WARNING LIGHT ON DASH\* E/MIRRORS

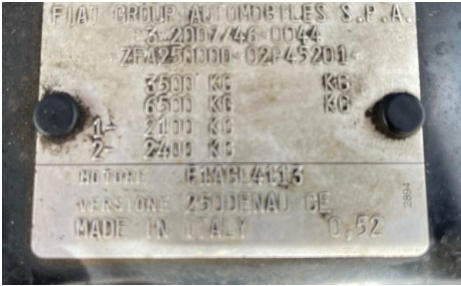
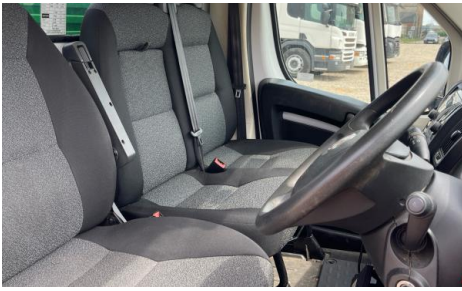
Tyres
NSF
NSR
OSF
OSR
Spare

## Features

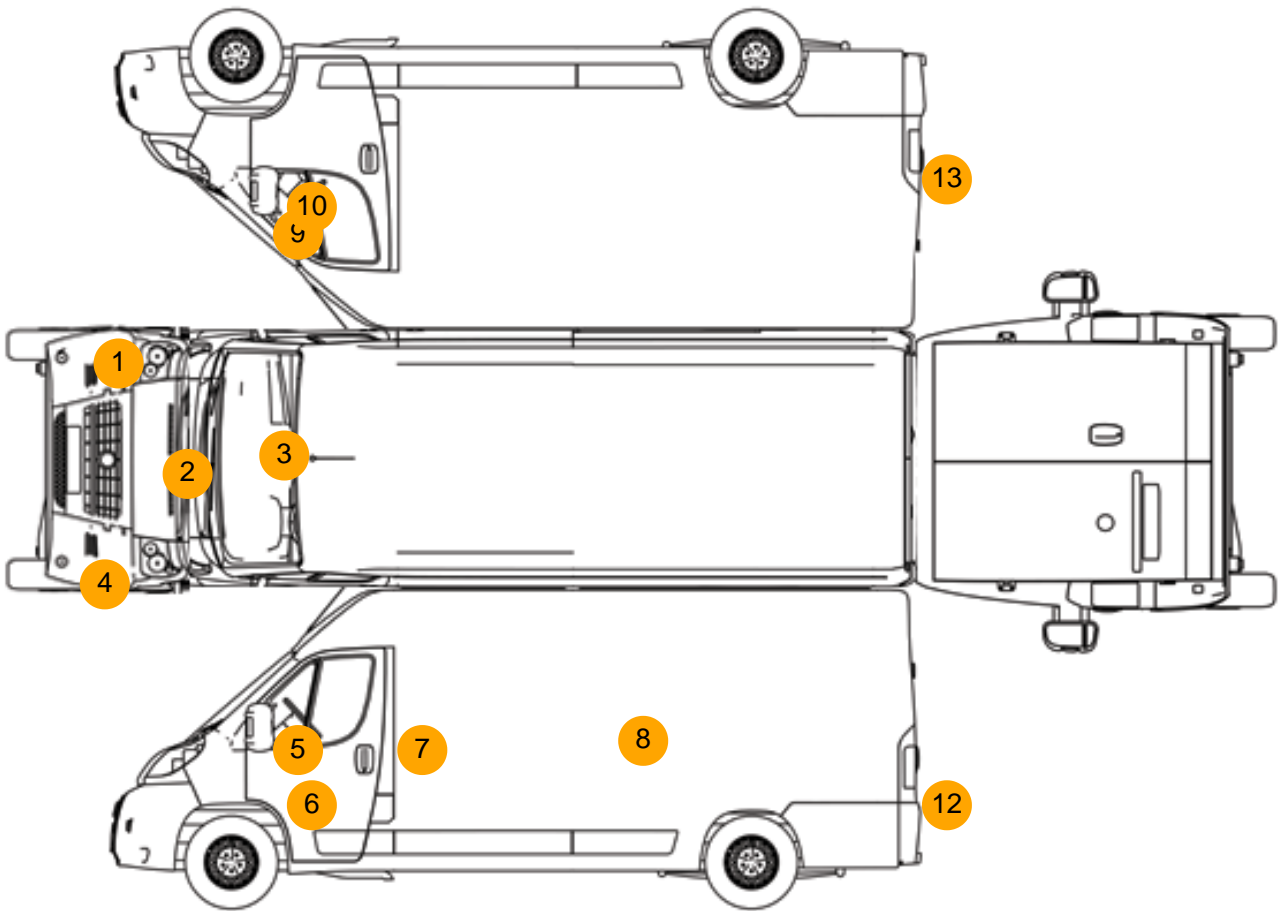
- Air conditioning
- Front electric windows

## Photos





## Condition Check



## Damage Photos



1: Bumper Front Moulding  
Scuffed (Unpainted)  
Over 100mm



2: Bonnet  
Chipped  
Multiple Chips



3: Screen Front  
Chipped  
Up To 10mm

4: Bumper Front Moulding  
Scuffed (Unpainted)  
Over 100mm



5: Door Mirror Assy nsf  
Scuffed (Unpainted)  
Over 100mm

6: Door nsf  
Scatched  
Over 25mm Thru Paint



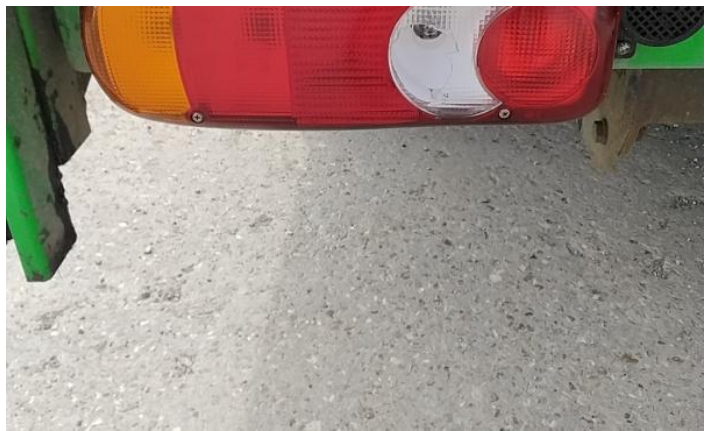
7: B Post ns  
Dented  
With Paint Damage

8: Qtr Panel nsr  
Scatched  
Over 25mm Thru Paint



9: Door Mirror Assy osf  
Scuffed (Unpainted)  
Over 100mm

10: Door Mirror Glass os  
Broken  
Replace



11: Centre Console Front  
Missing  
Replace

12: Lamp nsr  
Broken  
Replace



13: Fog Lamp osr  
Broken  
Replace

**Interior**

<b>Carpet Condition</b>	OK	<b>Upholstery Condition</b>	OK
<b>Seat Condition</b>	OK	<b>Odour</b>	No
Engine Runs	OK	Gearbox 1st and Reverse Test	OK
Brakes	OK	Clutch Slip Test from Static	OK
Parking Brake	OK	Gearbox Static Gear Selection (engine running)	OK
		No Excessive Smoking	OK
EML light illuminated	OK	Oil warning light illuminated	OK
Airbag light illuminated	OK	DPF light illuminated	Fault
ABS light illuminated	OK	Service indicator light illuminated	OK