



COMMERCIAL VEHICLE AUCTIONS LTD
THE UK'S MOST ESTABLISHED COMMERCIAL VEHICLE AUCTIONEERS

Carr Hill Industrial Estate
Doncaster
DN4 8DE

01302 732600 | cva.noreply@cva-auctions.co.uk

VEHICLE INSPECTION REPORT

YC20EOR

Ford Transit Connect 240 1.5 EcoBlue 100ps

Inspection		Vehicle	
Serious Damage?	No	VAT	Plus VAT
		V5	Present

Details					
Reg. date	25/03/2020	Colour	WHITE	CAP Average	£6,700.00
Year	2020	VIN	WF0SXXWPGSLB76352	CAP Below	£5,375.00
Mileage	22,046 Miles Warranted	Body Style	Panel Van L2	Gearbox	MANUAL
Fuel Type	Diesel	MOT Due	03/02/2027	Gears	6
GVW	2405kg	CAP Clean	£7,650.00		

TWIN SIDE LOAD DOOR, E/MIRRORS, AD-BLUE

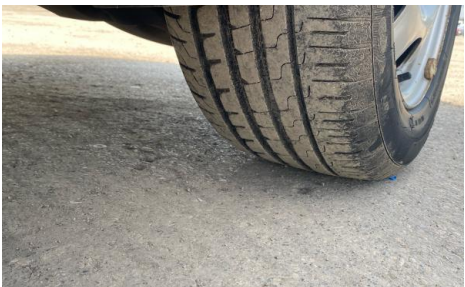
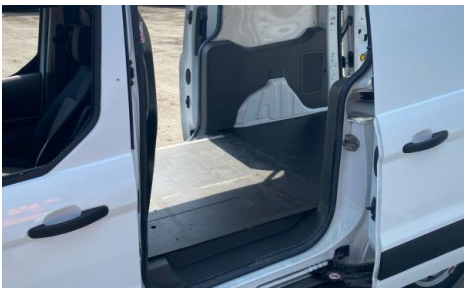
Tyres	
NSF	
NSR	
OSF	
OSR	
Spare	

Features

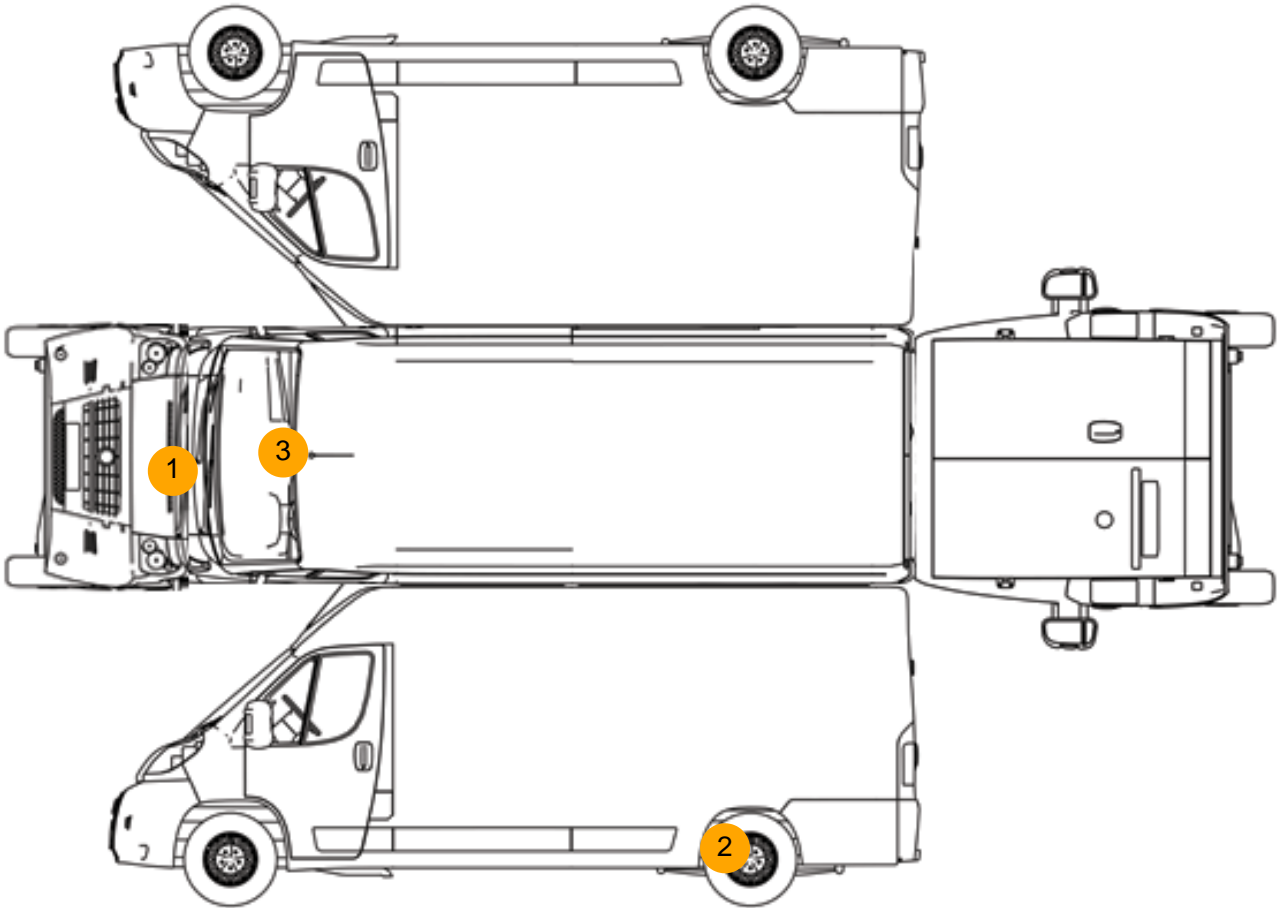
- Bluetooth connection
- Air conditioning
- Central locking
- Front parking sensor
- Front electric windows
- Cloth seat trim
- Rear parking sensor
- Drivers airbag
- Digital radio
- Passenger airbag

Photos





Condition Check



Damage Photos



1: Bonnet
Chipped
Multiple Chips



2: Qtr Panel nsr
Dented
With Paint Damage



3: Screen Front
Chipped
Over 10mm

4: Carpets Front
Holed
Over 3mm

Interior

Carpet Condition	Poor	Upholstery Condition	OK
Seat Condition	OK	Odour	No
Engine Runs	OK	No Excessive Smoking	OK
EML light illuminated	OK	DPF light illuminated	OK
ABS light illuminated	OK		