



COMMERCIAL VEHICLE AUCTIONS LTD
THE UK'S MOST ESTABLISHED COMMERCIAL VEHICLE AUCTIONEERS

Carr Hill Industrial Estate
Doncaster
DN4 8DE

01302 732600 | cva.noreply@cva-auctions.co.uk

VEHICLE INSPECTION REPORT

DK68VFB

Mercedes-Benz Sprinter 516

Non Runner

Inspection		Vehicle	
Serious Damage?	No	VAT	Plus VAT
		V5	To Follow

Details					
Reg. date	12/09/2018	GVW	5000kg	MOT Due	31/07/2026
Year	2018	Colour	WHITE	Cab Type	CREW CAB
Mileage	TBC	VIN	WDB9062552N748180	Gearbox	MANUAL
Fuel Type	Diesel	Body Style	Dropside L3	Axle Combi	4x2

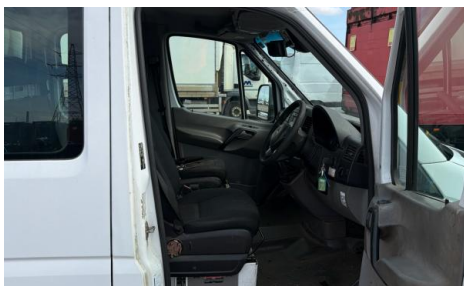
*NON-RUNNER - CAMSHAFT GONE THROUGH ENGINE, WILL NEED TO BE WINCHED, NO GEARBOX & FUEL TANK *, MOT SHOWS 354,711 MILES 17/07/2025, TOW BAR

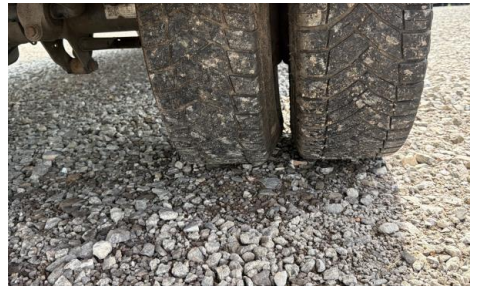
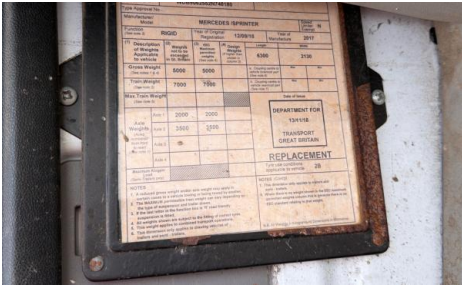
Tyres	
NSF	
NSR	
OSF	
OSR	
Spare	

Features

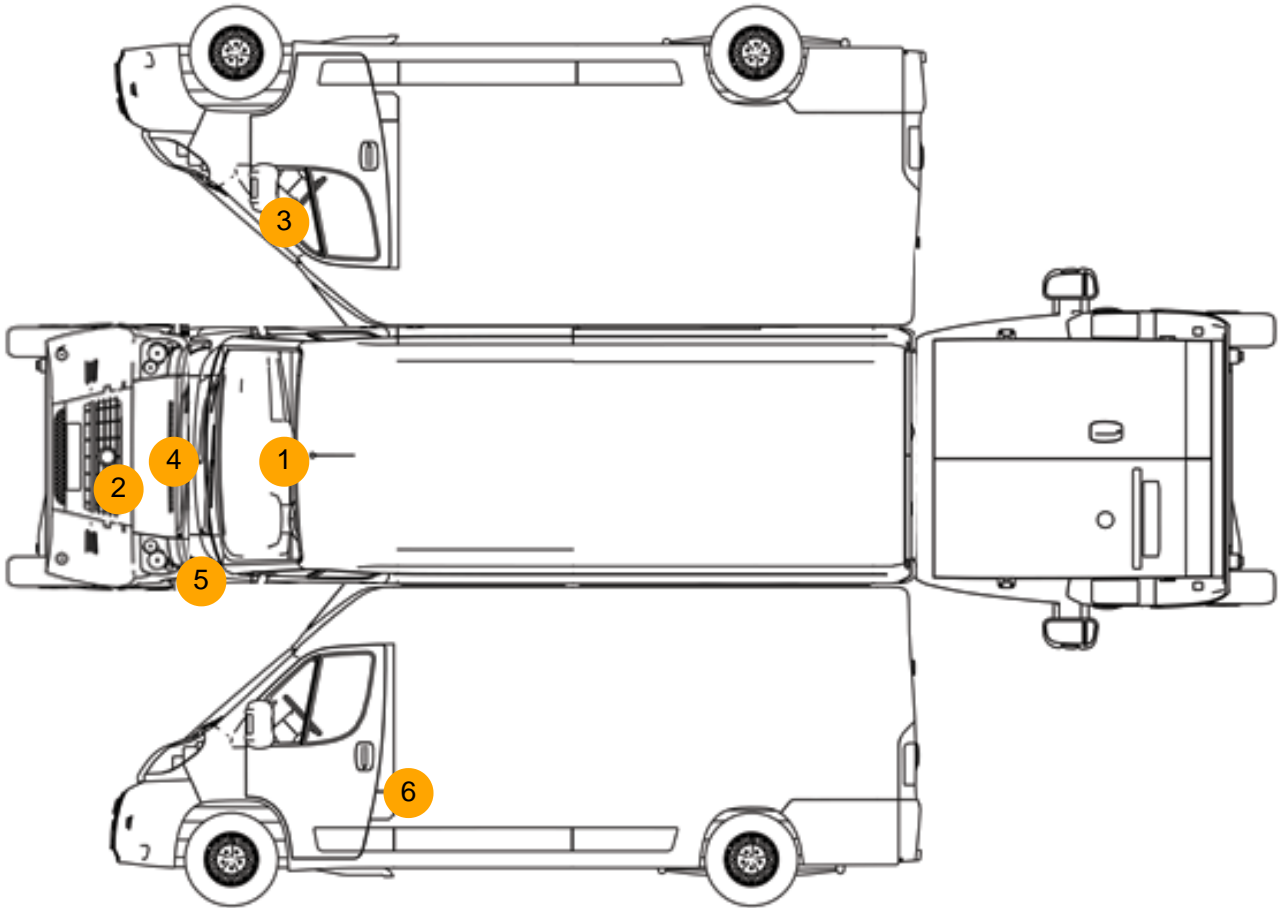
- Cruise control
- Drivers airbag
- Radio/CD
- Cloth seat trim
- Air conditioning
- Front electric windows

Photos





Condition Check



Damage Photos



1: Screen Front
Chipped
Over 10mm



2: Unclassified
Major Parts Missing
Report Only



3: Door Mirror Assy osf
Missing
Replace



4: Bonnet
Dented
Hail - Severe



5: Headlamp ns
Broken
Replace



6: Fuel Flap
Missing
Replace



7: Seat Base Cover osf
Missing
Replace



8: Centre Console Front
Missing
Replace

Interior

Carpet Condition
Seat Condition

Average
Average

Upholstery Condition
Odour

Average
-

Engine Runs Fault