



COMMERCIAL VEHICLE AUCTIONS LTD
THE UK'S MOST ESTABLISHED COMMERCIAL VEHICLE AUCTIONEERS

Carr Hill Industrial Estate
Doncaster
DN4 8DE

01302 732600 | cva.noreply@cva-auctions.co.uk

VEHICLE INSPECTION REPORT

SB63OJP

Ford Transit TDCi 125PS

Inspection

Serious Damage? No

Vehicle

VAT Plus VAT

V5 Present

Details

Reg. date	23/12/2013	VIN	WF0XXXTTFXDK87950	CAP Average	£1,400.00
Year	2013	Body Style	Panel Van LWB	CAP Below	£950.00
Mileage	125,155 Miles Warranted	Service history	Yes	Gearbox	MANUAL
Fuel Type	Diesel	Service documents	Printout	Gears	6
GVW	3500kg	MOT Due	17/01/2027		
Colour	WHITE	CAP Clean	£1,800.00		

SIDE LOAD DOOR, ROOF RACK, TACHOGRAPH FITTED.

Tyres

NSF
NSR
OSF
OSR
Spare

Features

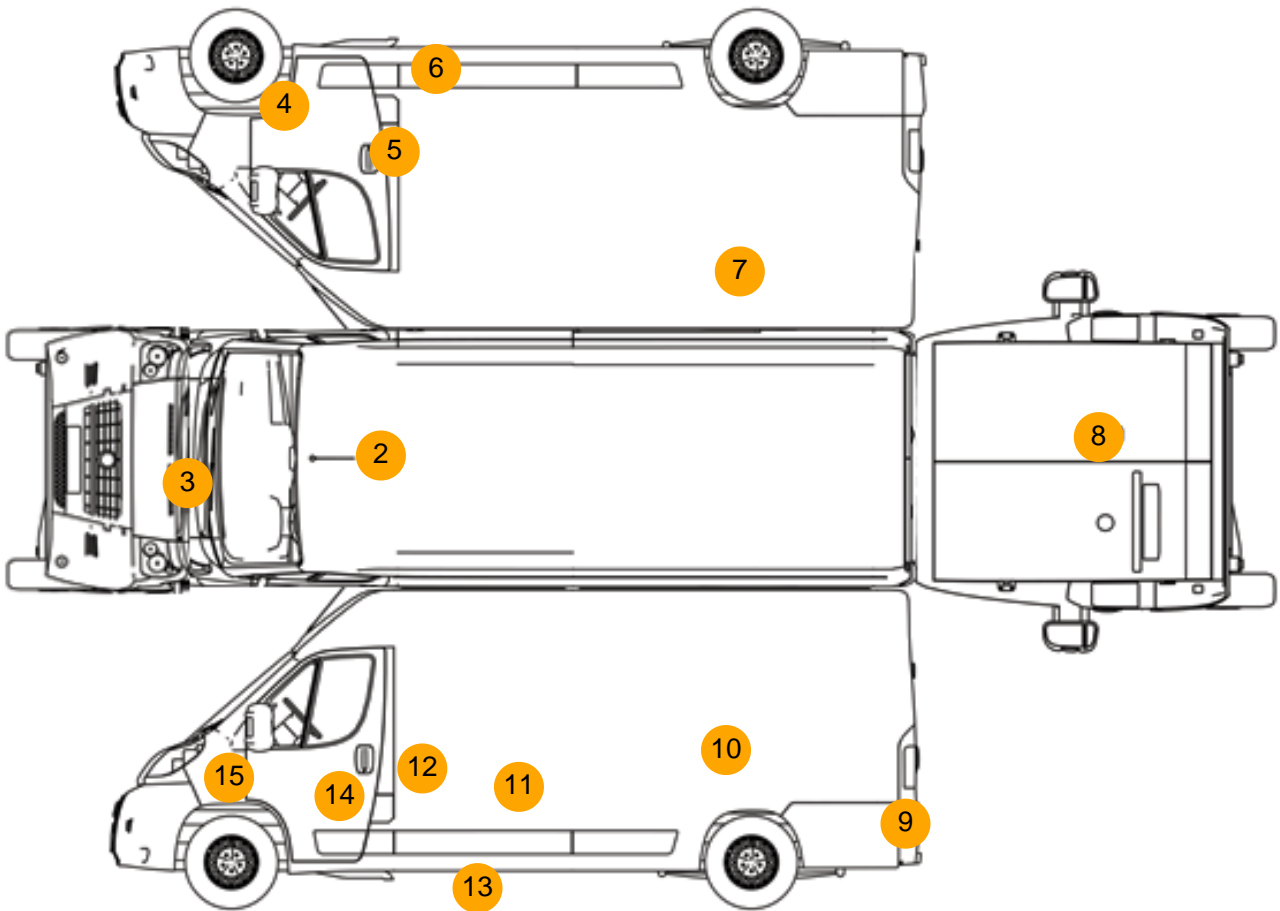
- Radio/CD
- Front electric windows
- Central locking

Photos





Condition Check



Damage Photos



1: Carpets Front
Torn
Over 10mm

2: Roof
Rusted
Over 5mm



3: Bonnet
Rusted
Over 5mm

4: Door osf
Rusted
Over 5mm



5: B Post os
Rusted
Over 5mm

6: Sill os
Rusted
Over 5mm



7: Qtr Panel osr
Rusted
Over 5mm

8: Tailgate
Dented
With Paint Damage



9: Bumper Rear Moulding
Scuffed (Unpainted)
Over 100mm

10: Qtr Panel nsr
Rusted
Over 5mm



11: Door nsr
Dented
Over 30mm

12: B Post ns
Rusted
Over 5mm



13: Sill ns
Rusted
Over 5mm

14: Door nsf
Dented
With Paint Damage



15: Wing nsf
Dented
With Paint Damage

Interior

Carpet Condition	Average	Upholstery Condition	Average
Seat Condition	Average	Odour	No
Engine Runs	OK	Gearbox 1st and Reverse Test	OK
Brakes	OK	Clutch Slip Test from Static	OK
Turbo Boosting	OK	Gearbox Static Gear Selection (engine running)	OK
Parking Brake	OK	No Excessive Smoking	OK
EML light illuminated	OK	Oil warning light illuminated	OK
Airbag light illuminated	OK	DPF light illuminated	OK
ABS light illuminated	OK	Service indicator light illuminated	OK
Windows	OK	Radio	OK
		Steering	OK