



COMMERCIAL VEHICLE AUCTIONS LTD
THE UK'S MOST ESTABLISHED COMMERCIAL VEHICLE AUCTIONEERS

Carr Hill Industrial Estate
Doncaster
DN4 8DE

01302 732600 | cva.noreply@cva-auctions.co.uk

VEHICLE INSPECTION REPORT

FN24JPJ

Toyota Hilux 2.8 D-4D 204PS GR SPORT

Inspection

Serious Damage? No

Vehicle

VAT Plus VAT

V5 Buyer To Apply

Details

Reg. date	22/03/2024	Colour	BLACK	CAP Average	£27,250.00
Year	2024	VIN	AHTBA3CD506272503	CAP Below	£24,000.00
Mileage	59,760 Miles Not Warranted	Body Style	Pickup Double Cab	Gearbox	AUTOMATIC
Fuel Type	Diesel	MOT Due	21/03/2027	Gears	6
GVW	3210kg	CAP Clean	£28,900.00	Axle Combi	4x4

REAR VIEW CAMERA, E/MIRRORS, PLASTIC LINED.

Tyres

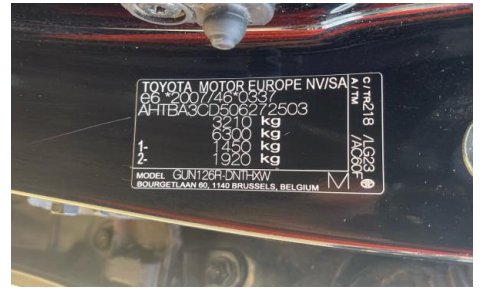
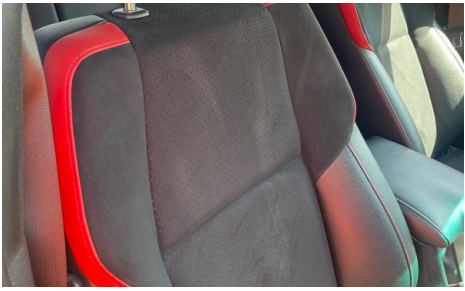
NSF
NSR
OSF
OSR
Spare

Features

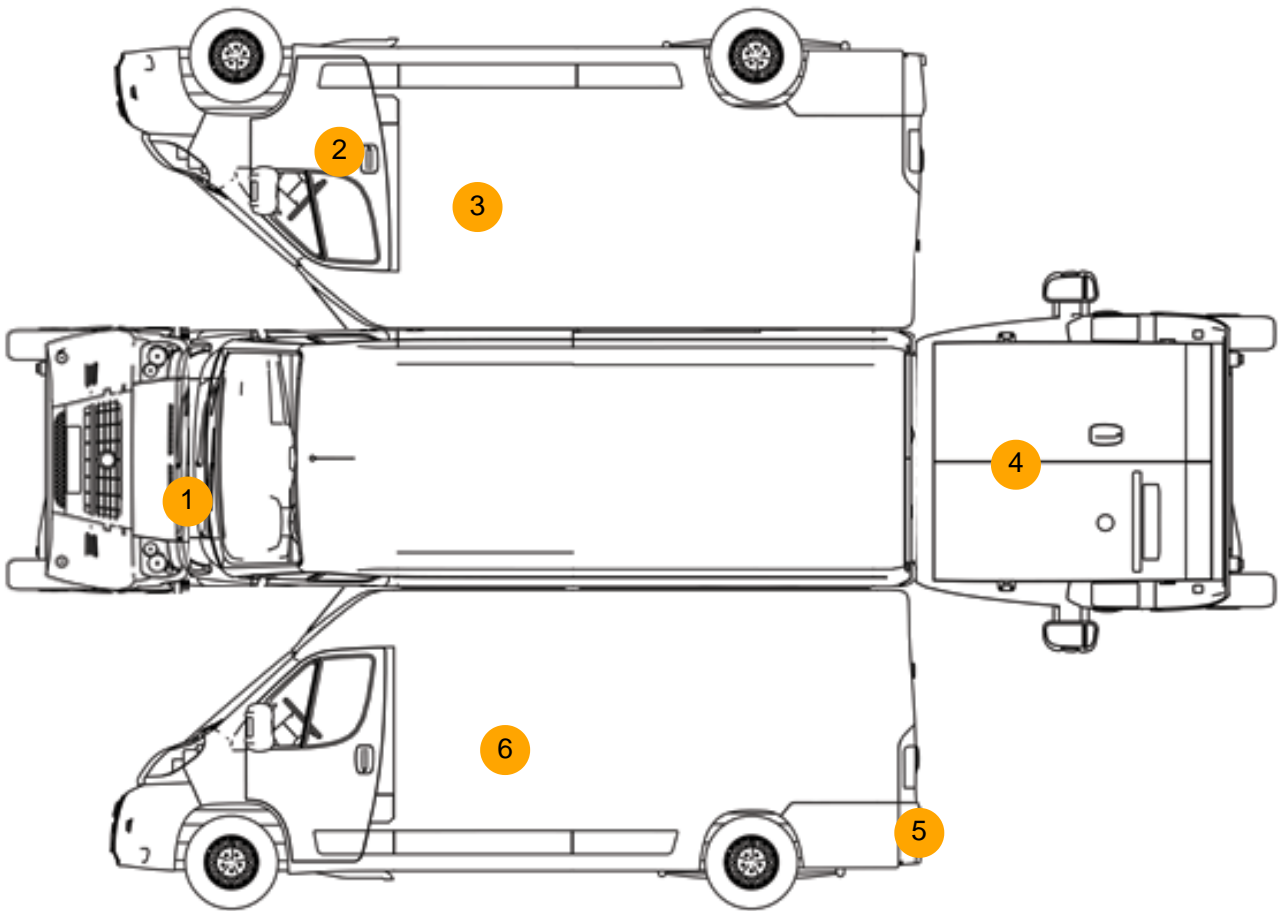
- Front parking sensor
- Heated front seat
- Rear parking sensor
- Radio/CD
- Air conditioning
- Front electric windows
- Central locking

Photos





Condition Check



Damage Photos



1: Bonnet
Chipped
Multiple Chips

2: Door osf
Scratched
Over 25mm Not Thru Paint



3: Door osr
Dented
Over 2 UpTo 10mm

4: Tailgate
Dented
Over 2 UpTo 10mm



5: Bumper Rear
Dented
With Paint Damage

6: Door nsr
Dented
2 Or Less UpTo 10mm

Interior

Carpet Condition	Average	Upholstery Condition	Average
Seat Condition	Average	Odour	No
Engine Runs	OK	Gearbox 1st and Reverse Test	OK
Brakes	OK	Clutch Slip Test from Static	OK
Turbo Boosting	OK	Gearbox Static Gear Selection (engine running)	OK
Parking Brake	OK	No Excessive Smoking	OK
EML light illuminated	OK	Oil warning light illuminated	OK
Airbag light illuminated	OK	DPF light illuminated	OK
ABS light illuminated	OK	Service indicator light illuminated	OK

Windows	OK	Radio	OK
Sat nav	OK	Steering	OK