



COMMERCIAL VEHICLE AUCTIONS LTD
THE UK'S MOST ESTABLISHED COMMERCIAL VEHICLE AUCTIONEERS

Carr Hill Industrial Estate
Doncaster
DN4 8DE

01302 732600 | cva.noreply@cva-auctions.co.uk

VEHICLE INSPECTION REPORT

LB67DPZ

Ford Transit 350 2.0 TDCI 130PS

Inspection

Serious Damage? No

Vehicle

VAT Plus VAT

V5 Present

Details

Reg. date	23/02/2018	Colour	WHITE	CAP Clean	£5,625.00
Year	2018	VIN	WF0XXXTTGXHD29966	CAP Average	£4,775.00
Mileage	81,845 Miles Warranted	Body Style	Panel Van L2	CAP Below	£3,625.00
Fuel Type	Diesel	Service history	Yes	Gearbox	MANUAL
GVW	3500kg	MOT Due	15/12/2026	Gears	6

AD-BLUE, SIDE LOAD DOOR, TOW BAR, DEADLOCKS, EASILIFTSWING LIFT, 230V OUTLETS

Tyres

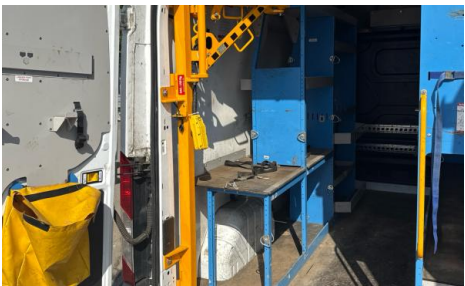
NSF
NSR
OSF
OSR
Spare

Features

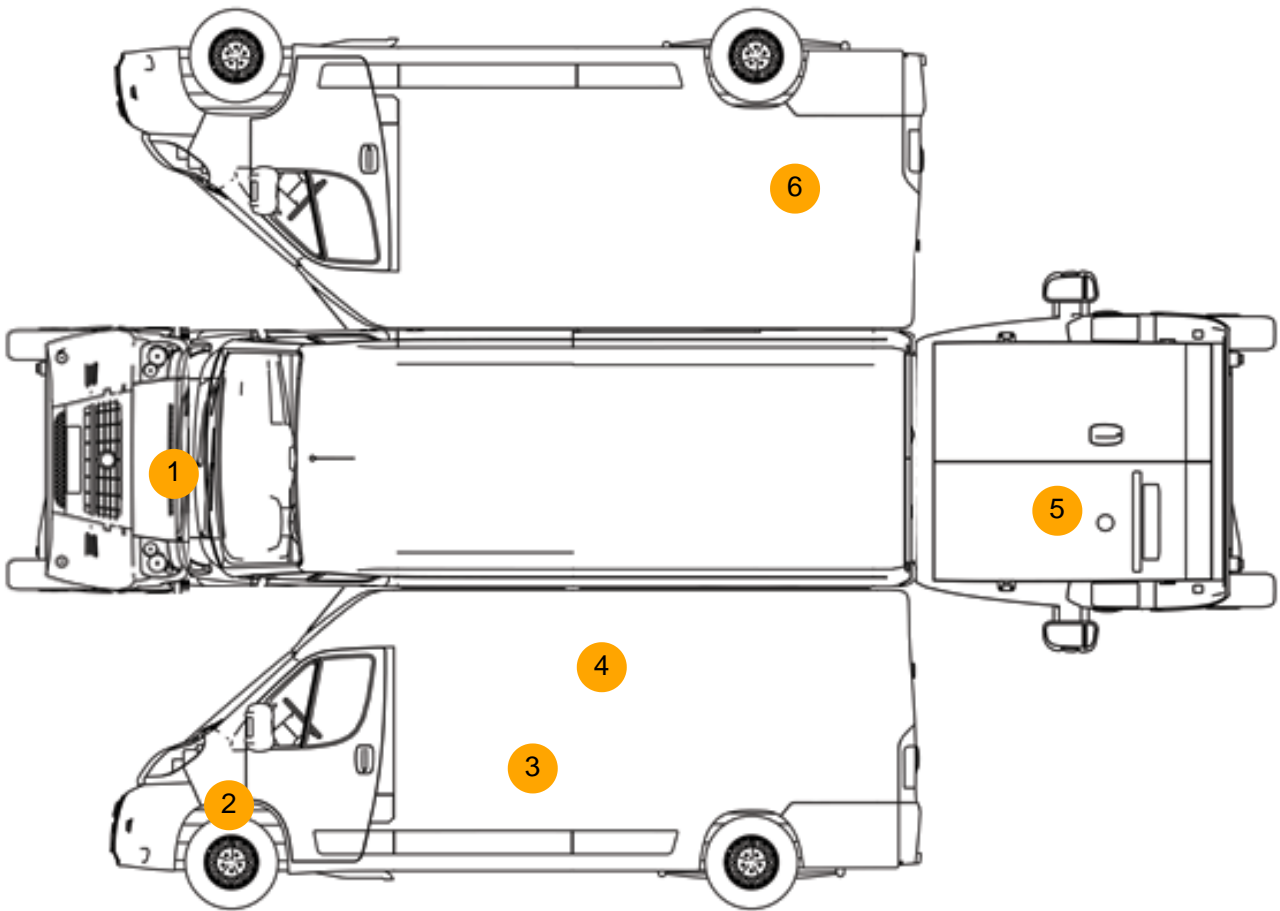
- Bluetooth connection
- Front electric windows
- Cloth seat trim
- Rear parking sensor
- Drivers airbag
- Auxiliary input socket
- Passenger airbag
- Digital radio
- Central locking

Photos





Condition Check

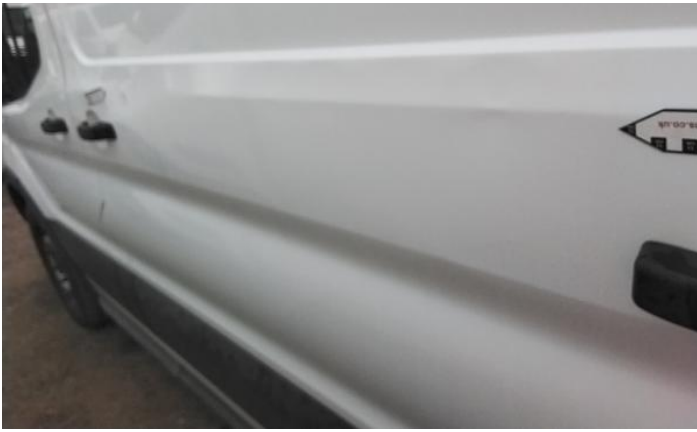


Damage Photos



1: Bonnet
Chipped
Multiple Chips

2: Wing nsf
Scratched
Over 25mm Thru Paint



3: Qtr Panel nsr
Dented
Over 30mm

4: Qtr Panel nsr
Dented
With Paint Damage



5: Door nsf
Dented
With Paint Damage

6: Qtr Panel osr
Dented
Over 30mm



7: Door Pad osf
Soiled
Heavy

8: Carpets Front
Holed
Over 3mm



9: Seat Base Cover osf
 Holed
 Over 3mm

10: Seat Base Cover nsf
 Soiled
 Heavy

Interior

Carpet Condition

Poor

Upholstery Condition

Poor

Seat Condition

Poor

Odour

No

Engine Runs	OK	No Excessive Smoking	OK
EML light illuminated	OK	DPF light illuminated	OK
ABS light illuminated	OK		