



COMMERCIAL VEHICLE AUCTIONS LTD
THE UK'S MOST ESTABLISHED COMMERCIAL VEHICLE AUCTIONEERS

Carr Hill Industrial Estate
Doncaster
DN4 8DE

01302 732600 | cva.noreply@cva-auctions.co.uk

VEHICLE INSPECTION REPORT

LB67XOX

Ford Transit 350 2.0 TDCI 130PS

Inspection

Serious Damage? No

Vehicle

VAT Plus VAT

V5 Present

Details

Reg. date	16/02/2018	Colour	WHITE	CAP Clean	£4,825.00
Year	2018	VIN	WF0XXXTTGXHE59284	CAP Average	£4,125.00
Mileage	101,461 Miles Warranted	Body Style	Panel Van L2	CAP Below	£3,125.00
Fuel Type	Diesel	Service history	Yes	Gearbox	MANUAL
GVW	3500kg	MOT Due	20/02/2027	Gears	6

WARNING LIGHTS ON DASH AD-BLUE, SIDE LOAD DOOR, TOW BAR, DEADLOCKS, WATER HEATER, 230V OUTLETS, HOIST, RACKING IN REAR

Tyres

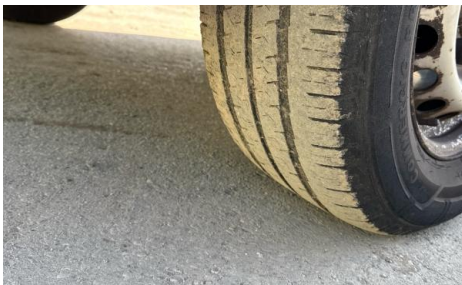
NSF
NSR
OSF
OSR
Spare

Features

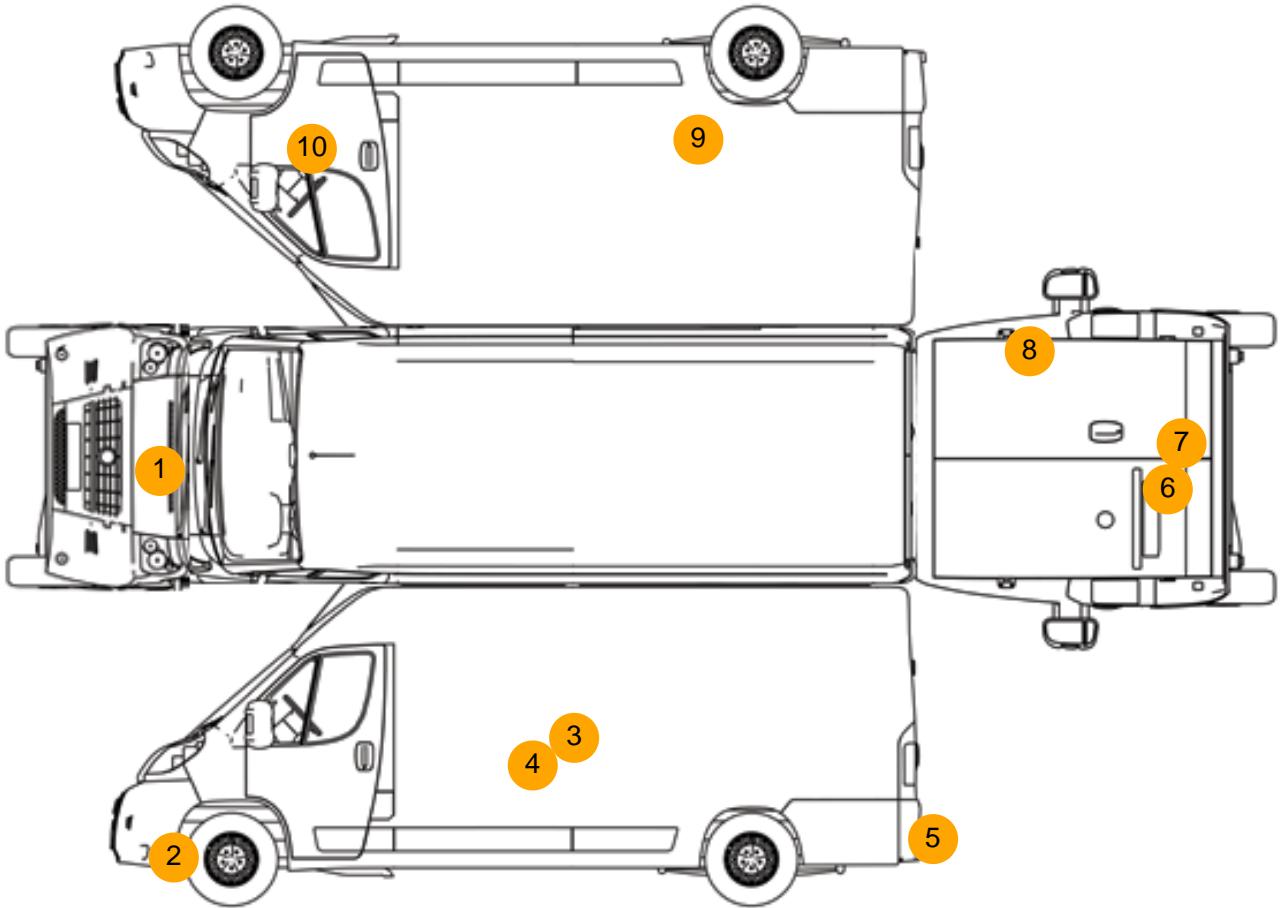
- Bluetooth connection
- Front electric windows
- Cloth seat trim
- Rear parking sensor
- Drivers airbag
- Auxiliary input socket
- Passenger airbag
- Digital radio
- Central locking

Photos





Condition Check



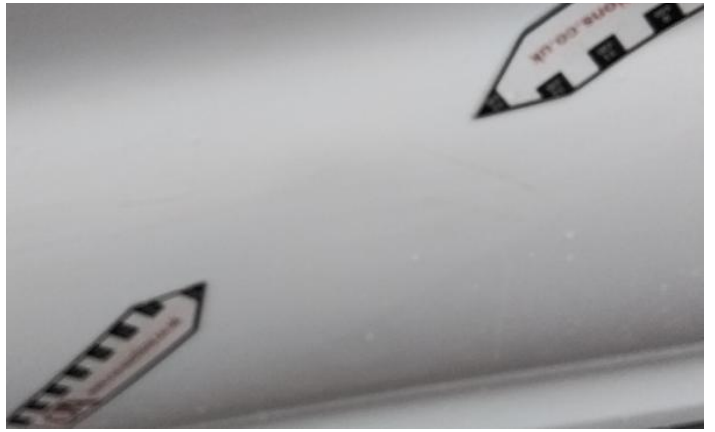
Damage Photos



1: Bonnet
Chipped
Multiple Chips



2: Bumper Front
Scratched
Over 100mm Thru Paint



3: Qtr Panel nsr
Dented
Over 30mm

4: Qtr Panel nsr
Dented
Over 30mm



5: Bumper Rear Moulding
Scuffed (Unpainted)
Over 100mm

6: Door nsr
Dented
With Paint Damage



7: Door osr
Dented
With Paint Damage

8: C Post os
Dented
With Paint Damage



9: Qtr Panel osr
Dented
With Paint Damage



10: Door osf
Dented
Over 30mm



11: Door Pad osf
Scuffed
Over 25mm



12: Seat Base Cover osf
Holed
Over 3mm



13: Seat Base Cover nsf
Soiled
Heavy



14: Dash Warning Lights
Displayed
No Action

Interior

Carpet Condition	OK	Upholstery Condition	Poor
Seat Condition	Poor	Odour	No
Engine Runs	OK	No Excessive Smoking	OK
EML light illuminated	OK	DPF light illuminated	Fault
ABS light illuminated	OK		