



COMMERCIAL VEHICLE AUCTIONS LTD
THE UK'S MOST ESTABLISHED COMMERCIAL VEHICLE AUCTIONEERS

Carr Hill Industrial Estate
Doncaster
DN4 8DE

01302 732600 | cva.noreply@cva-auctions.co.uk

VEHICLE INSPECTION REPORT

LB67XRU

Ford Transit 350 2.0 TDCi 130ps

Inspection		Vehicle	
Serious Damage?	No	VAT	Plus VAT
		V5	Present

Details

Reg. date	16/02/2018	Colour	WHITE	CAP Clean	£7,300.00
Year	2018	VIN	WF0XXXTTGXHE59270	CAP Average	£6,225.00
Mileage	47,227 Miles Warranted	Body Style	Panel Van L2	CAP Below	£4,575.00
Fuel Type	Diesel	Service history	Yes	Gearbox	MANUAL
GVW	3500kg	MOT Due	14/12/2026	Gears	6

AD-BLUE, RACKING, EASYLIFT 150 SWING LIFT, HOT AND COLD WATER DISPENSOR, 230 SOCKETS

Tyres

NSF
NSR
OSF
OSR
Spare

Features

- Rear parking sensor
- Digital radio
- Front electric windows
- Central locking

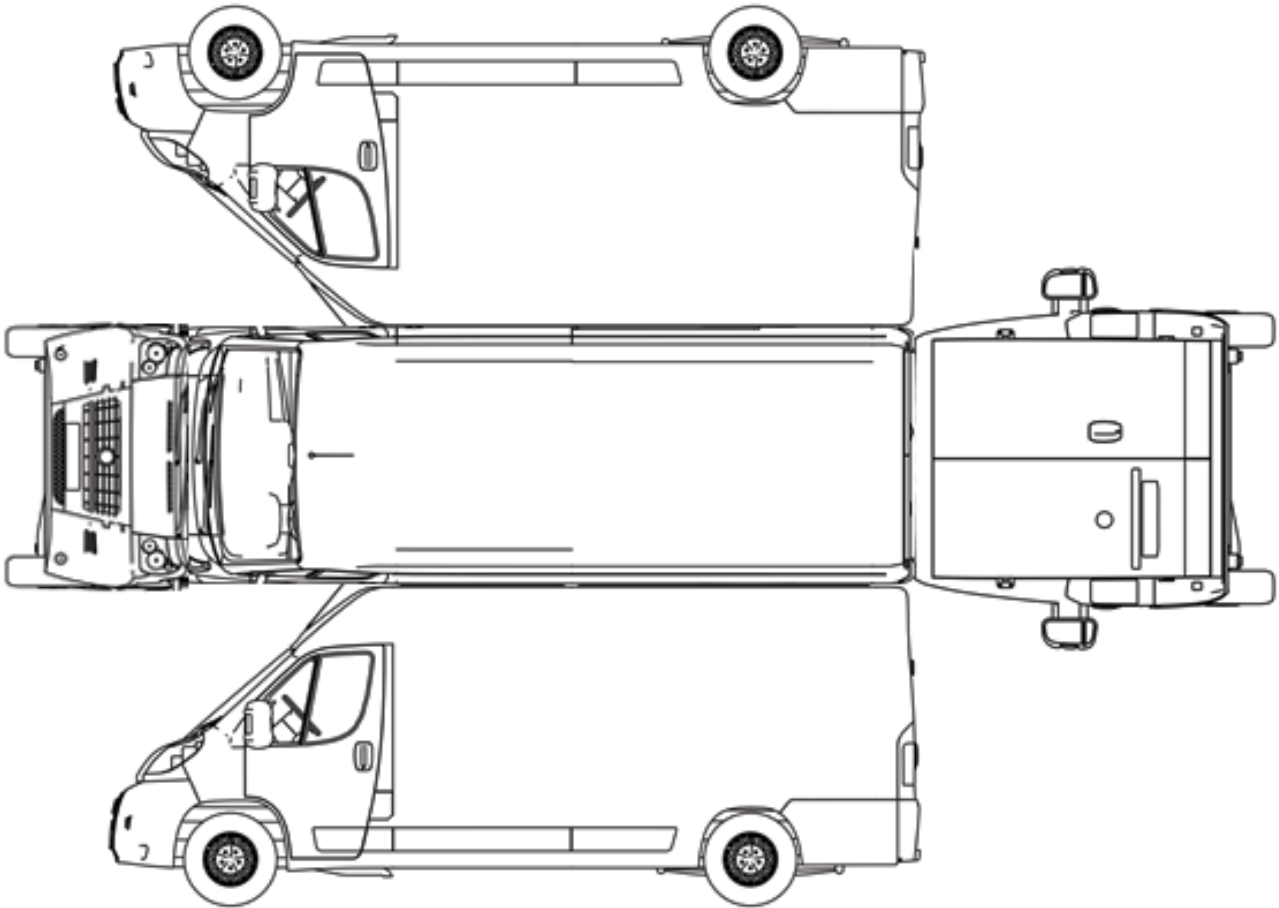
Photos







Condition Check



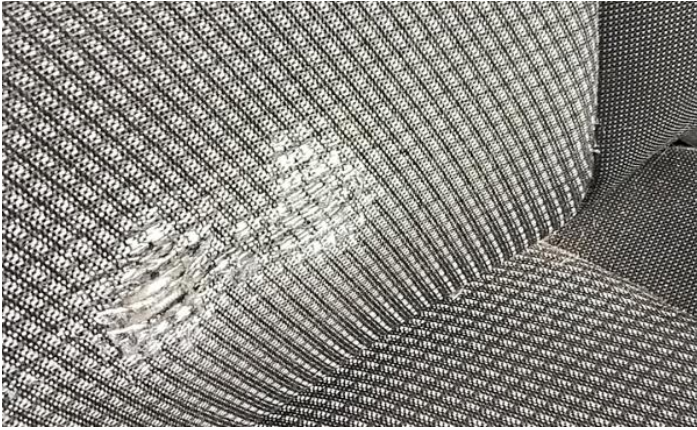
Damage Photos



1: Door Pad osf
Holed
Over 3mm



2: Seat Base Cover osf
Holed
Over 3mm



3: Seat Back Cover of
 Holed
 Over 3mm

4: Carpets Front
 Holed
 Over 3mm

Interior

Carpet Condition Poor
Seat Condition Poor

Upholstery Condition Poor
Odour No

EML light illuminated	OK	Oil warning light illuminated	OK
Airbag light illuminated	OK	DPF light illuminated	OK
ABS light illuminated	OK	Service indicator light illuminated	OK