



**COMMERCIAL VEHICLE AUCTIONS LTD**  
THE UK'S MOST ESTABLISHED COMMERCIAL VEHICLE AUCTIONEERS

Carr Hill Industrial Estate  
Doncaster  
DN4 8DE

01302 732600 | cva.noreply@cva-auctions.co.uk

# VEHICLE INSPECTION REPORT

**LB68AGV**

## Ford Transit 350 2.0 TDCI 130PS

### Inspection

Serious Damage? No

### Vehicle

VAT Plus VAT

V5 Present

### Details

Reg. date 14/01/2019

Year 2019

Mileage 59,355 Miles  
Warranted

Fuel Type Diesel

GVW 3500kg

Colour WHITE

VIN WF0XXTTGXJR42840

Body Style Panel Van L2

Service history Yes

MOT Due 09/12/2026

CAP Clean £7,350.00

CAP Average £5,350.00

CAP Below £4,950.00

Gearbox MANUAL

Gears 6

AD-BLUE, SWING LIFT IN REAR

### Tyres

NSF

NSR

OSF

OSR

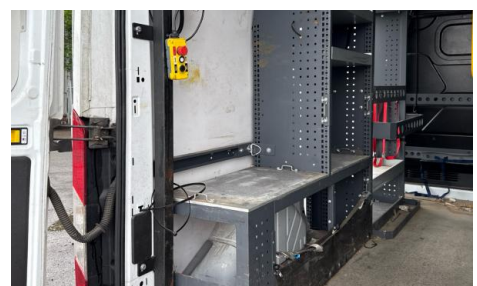
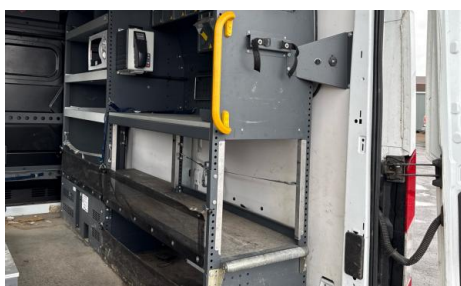
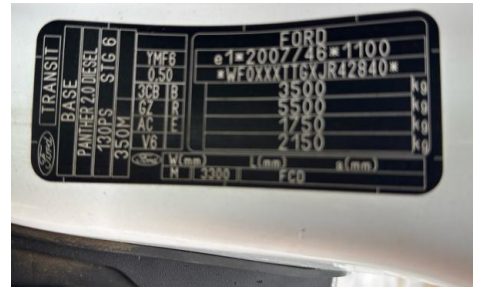
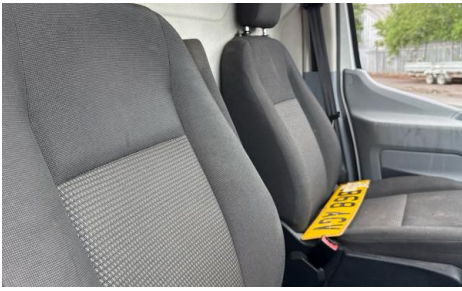
Spare

## Features

- Rear parking sensor
- Front electric windows
- Central locking

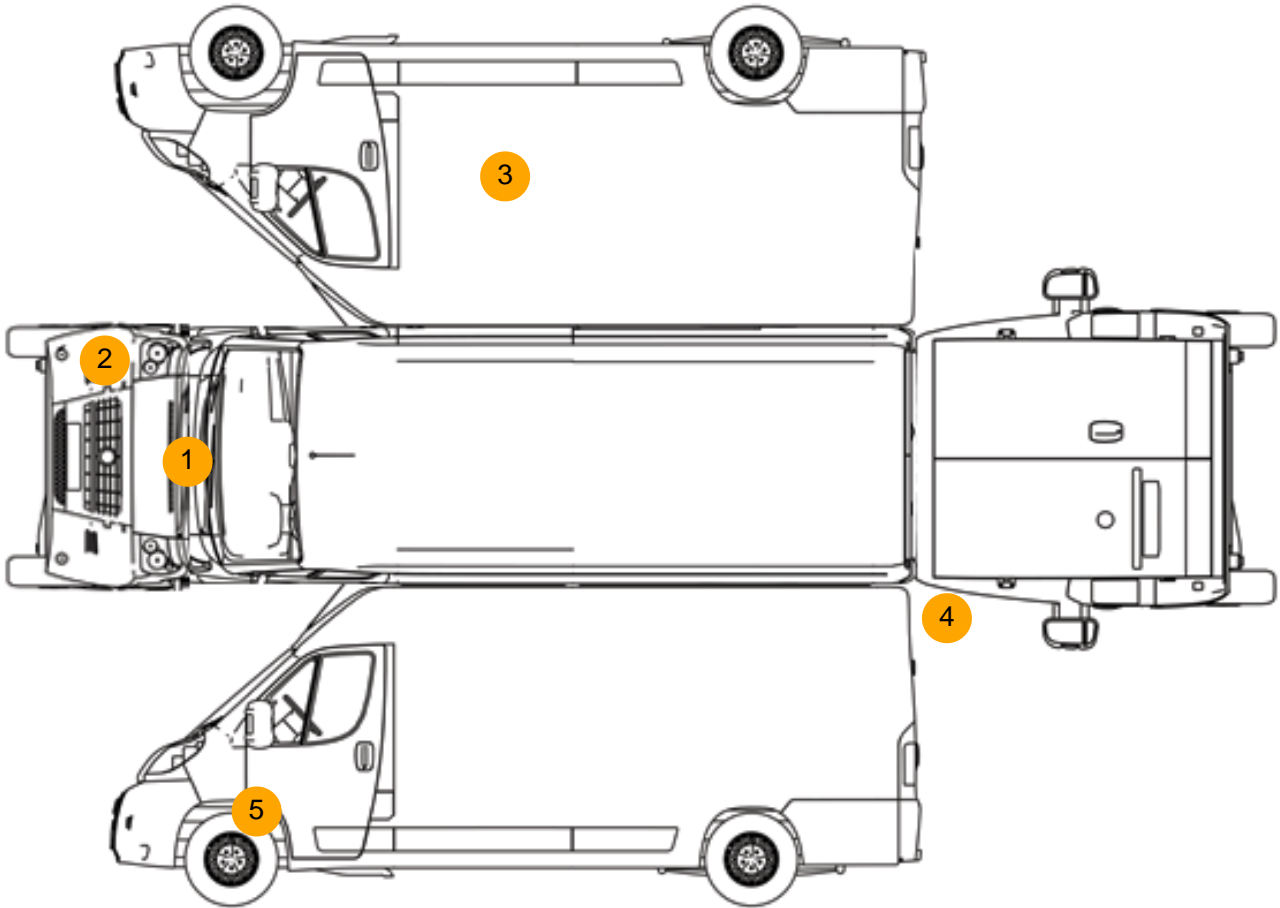
## Photos







## Condition Check



## Damage Photos



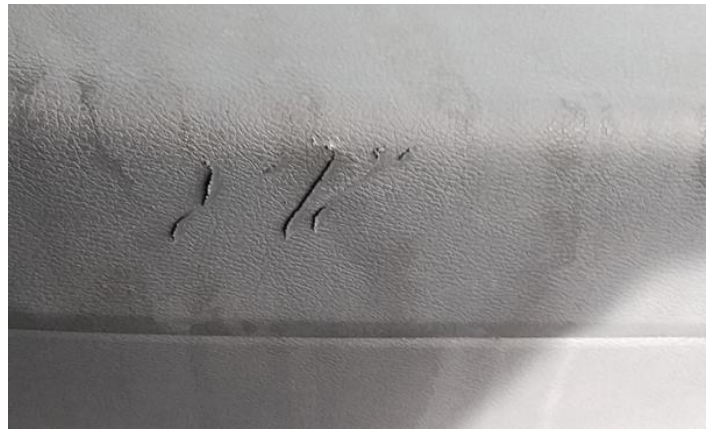
1: Bonnet  
Chipped  
Multiple Chips

2: Bumper Front Moulding  
Scuffed (Unpainted)  
UpTo 100mm



3: Panel Front  
Dented  
Between 10mm + 30mm

4: D Post ns  
Dented  
With Paint Damage



5: Wing nsf  
Dented  
With Paint Damage

6: Door Pad nsf  
Scuffed  
Over 25mm

### Interior

**Carpet Condition**  
**Seat Condition**

Average  
Average

**Upholstery Condition**  
**Odour**

Poor  
No

EML light illuminated	OK	Oil warning light illuminated	OK
Airbag light illuminated	OK	DPF light illuminated	OK
ABS light illuminated	OK	Service indicator light illuminated	OK