



COMMERCIAL VEHICLE AUCTIONS LTD
THE UK'S MOST ESTABLISHED COMMERCIAL VEHICLE AUCTIONEERS

Carr Hill Industrial Estate
Doncaster
DN4 8DE

01302 732600 | cva.noreply@cva-auctions.co.uk

VEHICLE INSPECTION REPORT

WS17BAV

Fiat Ducato 35 2.0 II MULTIJET 115PS

Inspection

Serious Damage? No

Vehicle

VAT Plus VAT

V5 Present

Details

Reg. date	29/08/2017	Colour	WHITE	CAP Clean	£4,475.00
Year	2017	VIN	ZFA25000002F03262	CAP Average	£3,725.00
Mileage	81,451 Miles Warranted	Body Style	Panel Van MWB	CAP Below	£2,750.00
Fuel Type	Diesel	Service history	Yes	Gearbox	MANUAL
GVW	3500kg	MOT Due	27/07/2026	Gears	6

SIDE LOAD DOOR, TOW BAR, E/ MIRRORS, DEADLOCKS, WATER HEATER, 230V OUTLETS, RACKING IN REAR

Tyres

NSF
NSR
OSF
OSR
Spare

Features

- Bluetooth connection
- Drivers airbag
- Rear parking sensor
- Passenger airbag
- Digital radio
- Central locking
- Front electric windows
- Cloth seat trim

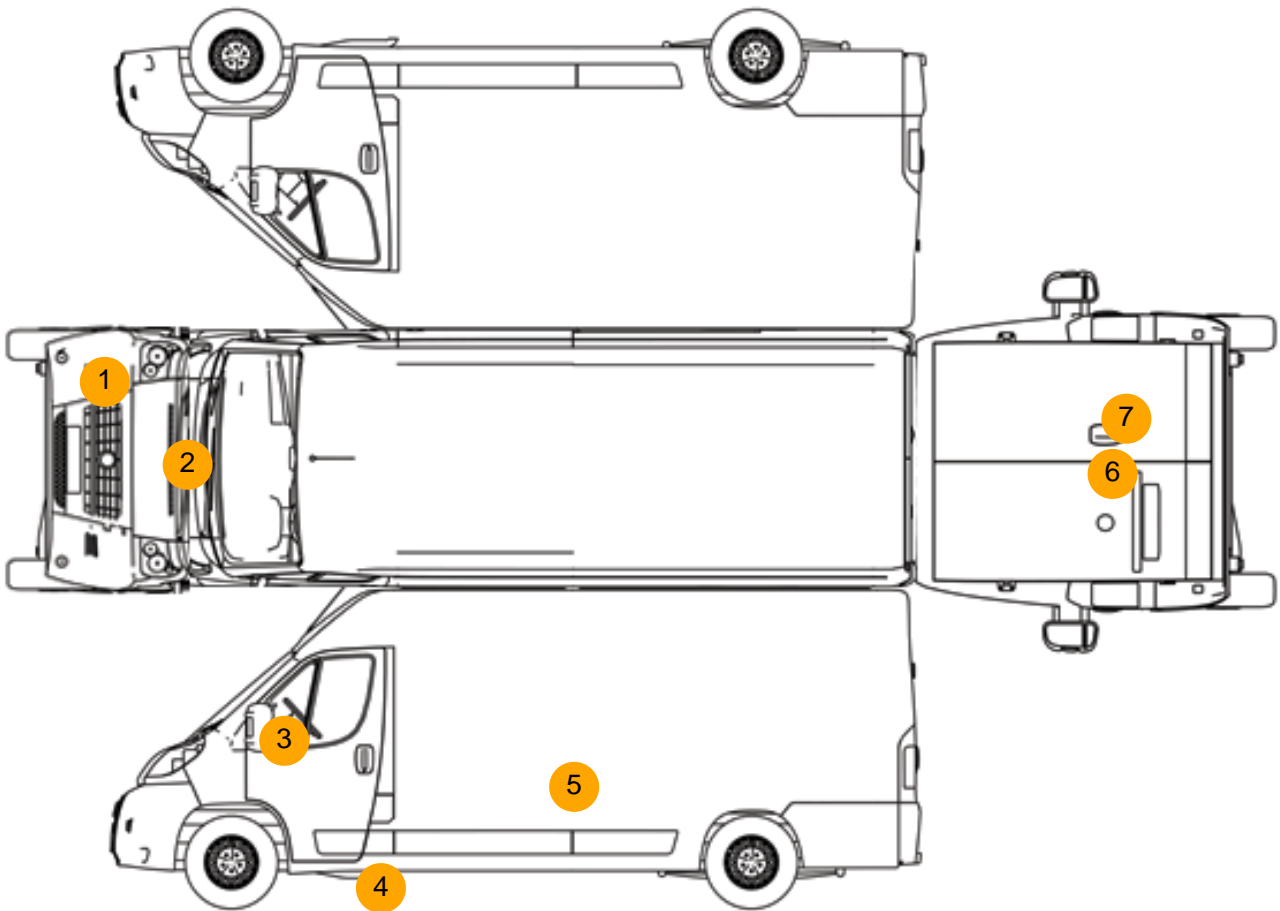
Photos







Condition Check



Damage Photos



1: Bumper Front
Scratched
Over 100mm Thru Paint

2: Bonnet
Chipped
Multiple Chips



3: Door Mirror Assy nsf
Scuffed (Unpainted)
Over 100mm

4: Sill ns
Dented
With Paint Damage



5: Qtr Panel nsr
Dented
Over 30mm

6: Door osr
Dented
With Paint Damage



7: Door osr
Dented
With Paint Damage

8: Door Pad osf
Soiled
Heavy



9: Seat Base Cover osf
 Holed
 Over 3mm

10: Seat Base Cover nsf
 Soiled
 Heavy

Interior

Carpet Condition

OK

Upholstery Condition

Poor

Seat Condition

Poor

Odour

No

Engine Runs	OK	No Excessive Smoking	OK
EML light illuminated	OK	DPF light illuminated	OK
ABS light illuminated	OK		