



**COMMERCIAL VEHICLE AUCTIONS LTD**  
THE UK'S MOST ESTABLISHED COMMERCIAL VEHICLE AUCTIONEERS

Carr Hill Industrial Estate  
Doncaster  
DN4 8DE

01302 732600 | [cva.noreply@cva-auctions.co.uk](mailto:cva.noreply@cva-auctions.co.uk)

# VEHICLE INSPECTION REPORT

**PJ66BCF**

## Daf LF 45.150

Inspection		Vehicle	
Serious Damage?	No	VAT	Plus VAT
		V5	To Follow

### Details

Reg. date	24/10/2016	Colour	RED	Gearbox	MANUAL
Year	2016	VIN	XLRAEL1500L459118	Axle Combi	4x2
Mileage	812,712 Km Warranted	Body Style	Box Van	Rear Suspension	Steel
Fuel Type	Diesel	MOT Due	30/09/2026	Tail Lift	Cantilever
GVW	7500kg	Cab Type	DAY CAB		

\*NON-RUNNER - CAT/SCR - NOT DRIVEABLE, OIL PRESSURE LOW, ENGINE POWER REDUCED, LEAKING HYDRAULIC FLUID WHEN OPERATING TAIL LIFT - WILL NEED TO BE STRAPPED DOWN ON COLLECTION, WARNING LIGHTS ON DASH\*

### Tyres

NSF	NSI1	NSI2	NSI3	NSI4
OSF	OSI1	OSI2	OSI3	OSI4
Spare	NSO1	NSO2	NSO3	NSO4
	OSO1	OSO2	OSO3	OSO4

## Features

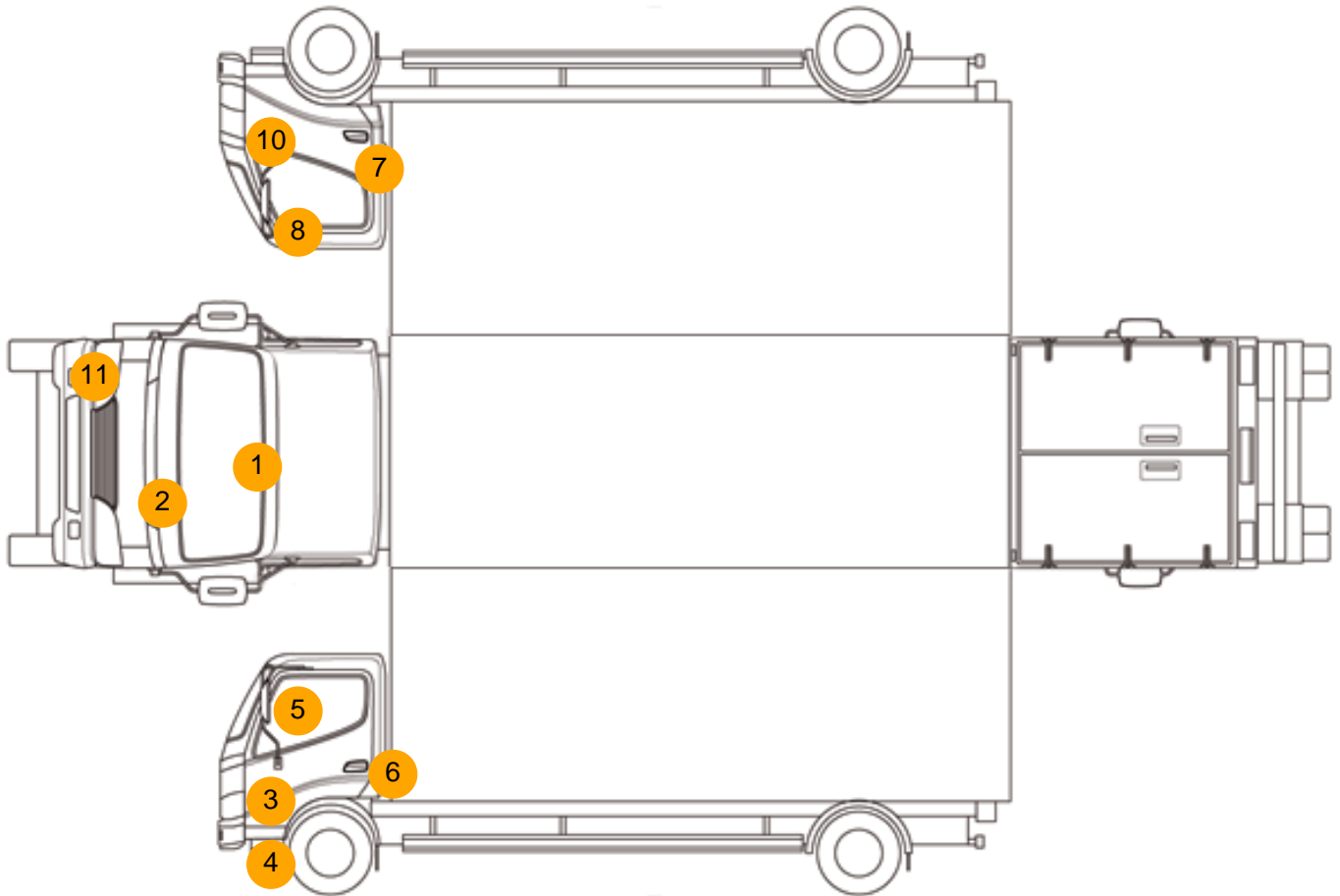
- Cruise control
- Radio/CD
- Front electric windows
- Central locking
- Cloth seat trim

## Photos





## Condition Check



## Damage Photos



1: Screen Front  
Chipped  
Over 10mm



2: Bonnet  
Chipped  
Multiple Chips



3: Moulding nsf Wing  
Scratched (Painted)  
Over 25mm Thru Paint

4: Bumper Front  
Scratched  
Over 100mm Thru Paint



5: Door Mirror Assy nsf  
Broken  
Replace

6: Door nsf  
Chipped  
Multiple Chips



7: Door osf  
Chipped  
Multiple Chips

8: Door Mirror Assy osf  
Scratched (Painted)  
Over 25mm Thru Paint



9: Moulding ofsf Wing  
Scratched (Painted)  
Over 25mm Thru Paint

10: Moulding ofsf Wing  
Broken  
Replace



11: Bumper Front  
Scratched  
Over 100mm Thru Paint

12: Seat Base Cover nsf  
Holed  
Over 3mm



13: Fascia Trim  
Missing  
Replace

14: Dash Warning Lights  
Displayed  
No Action

## Interior

<b>Carpet Condition</b>	OK	<b>Upholstery Condition</b>	Average
<b>Seat Condition</b>	Average	<b>Odour</b>	-
Engine Runs	OK	Gearbox 1st and Reverse Test	OK
Brakes	OK	Gearbox Static Gear Selection (engine running)	OK
Parking Brake	OK	No Excessive Smoking	Fault
EML light illuminated	Fault	DPF light illuminated	Fault
ABS light illuminated	OK		