



**COMMERCIAL VEHICLE AUCTIONS LTD**  
THE UK'S MOST ESTABLISHED COMMERCIAL VEHICLE AUCTIONEERS

Carr Hill Industrial Estate  
Doncaster  
DN4 8DE

01302 732600 | cva.noreply@cva-auctions.co.uk

# VEHICLE INSPECTION REPORT

**LF68WTZ**

## Ford Transit 350 2.0 TDCi 130ps

Inspection		Vehicle	
Serious Damage?	No	VAT	Plus VAT
		V5	Present

### Details

Reg. date	28/09/2018	Colour	WHITE	CAP Clean	£7,675.00
Year	2018	VIN	WF0XXXTTGXJM58777	CAP Average	£6,525.00
Mileage	49,722 Miles Warranted	Body Style	Panel Van L2	CAP Below	£4,975.00
Fuel Type	Diesel	Service history	Yes	Gearbox	MANUAL
GVW	3500kg	MOT Due	09/08/2026	Gears	6

AD-BLUE, RACKING, WATER DISPENSER, MICROWAVE, 230V SOCKETS

### Tyres

NSF
NSR
OSF
OSR
Spare

## Features

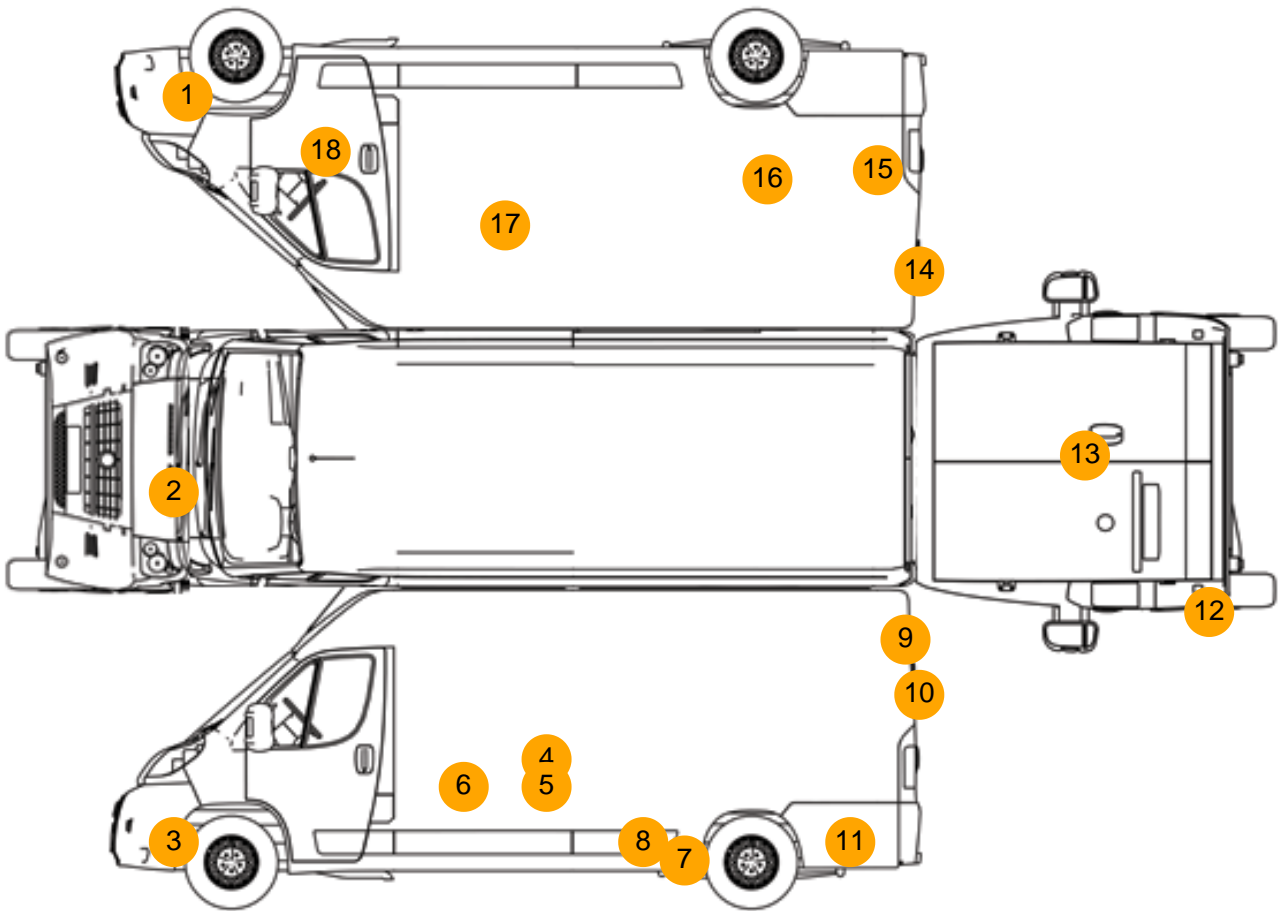
- Bluetooth connection
- Front electric windows
- Cloth seat trim
- Rear parking sensor
- Drivers airbag
- Auxiliary input socket
- Passenger airbag
- Digital radio
- Central locking

## Photos





## Condition Check



## Damage Photos



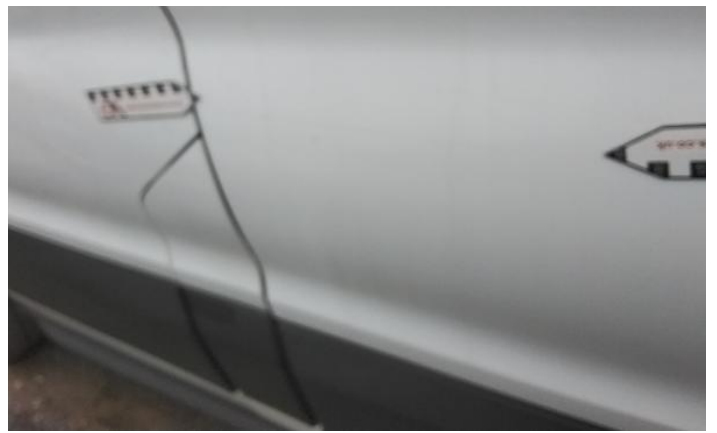
1: Bumper Front  
Scratched  
Over 100mm Thru Paint

2: Bonnet  
Chipped  
Multiple Chips



3: Bumper Front  
Scratched  
Over 100mm Thru Paint

4: Qtr Panel nsr  
Dented  
Over 30mm



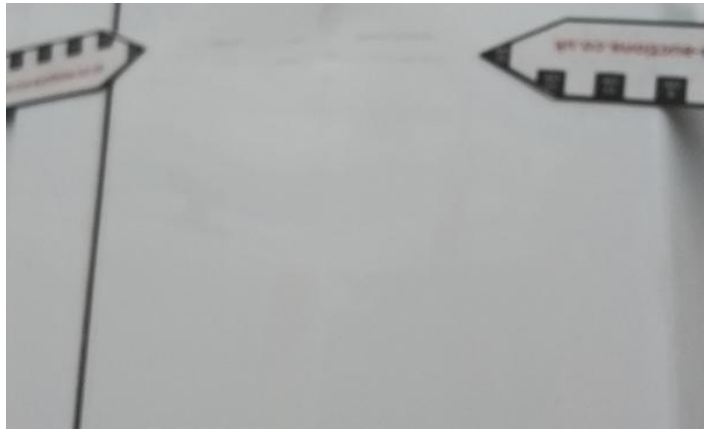
5: Qtr Panel nsr  
Dented  
Over 30mm

6: Qtr Panel nsr  
Scratched  
Over 25mm Thru Paint



7: Qtr Panel nsr  
Dented  
Over 30mm

8: Qtr Panel Moulding ns  
Scuffed (Unpainted)  
Over 100mm



9: C Post ns  
Dented  
With Paint Damage

10: C Post ns  
Dented  
With Paint Damage



11: Qtr Panel Moulding ns  
Broken  
Replace

12: Bumper Rear Moulding  
Broken  
Replace



13: Door osr  
Dented  
Over 30mm

14: C Post os  
Dented  
With Paint Damage



15: Qtr Panel osr  
Dented  
Over 30mm

16: Qtr Panel osr  
Dented  
With Paint Damage



17: Qtr Panel osr  
Dented  
With Paint Damage

18: Door osf  
Chipped  
Multiple Chips



19: Carpets Front  
Holed  
Over 3mm

20: Seat Base Cover osf  
Soiled  
Heavy



21: Seat Base Cover nsf  
 Soiled  
 Heavy

**Interior**

<b>Carpet Condition</b>	Poor	<b>Upholstery Condition</b>	OK
<b>Seat Condition</b>	Poor	<b>Odour</b>	No
Engine Runs	OK	No Excessive Smoking	OK
EML light illuminated	OK	DPF light illuminated	OK
ABS light illuminated	OK		