



COMMERCIAL VEHICLE AUCTIONS LTD  
THE UK'S MOST ESTABLISHED COMMERCIAL VEHICLE AUCTIONEERS

Carr Hill Industrial Estate  
Doncaster  
DN4 8DE

01302 732600 | cva.noreply@cva-auctions.co.uk

# VEHICLE INSPECTION REPORT

**DV69TLJ**

## Toyota Hilux 2.4 D-4D

Non Runner

Serious Damage

### Inspection

Serious Damage? No

### Vehicle

VAT Plus VAT

V5 Present

### Details

Reg. date	23/12/2019	Colour	WHITE	CAP Clean	£13,500.00
Year	2019	VIN	AHTKB3CC602518647	CAP Average	£11,650.00
Mileage	Not Showing	Body Style	4x4	CAP Below	£9,075.00
Fuel Type	Diesel	Service history	Yes	Gearbox	MANUAL
GVW	3150kg	MOT Due	28/12/2026	Gears	6

\*NON-RUNNER - TURNS OVER DOES NOT START\* \*SEVERE DAMAGE\* TOW BAR, E/MIRRORS, LEATHER, MOT SHOWS 37,235 MILES 05/12/2025

### Tyres

NSF

NSR

OSF

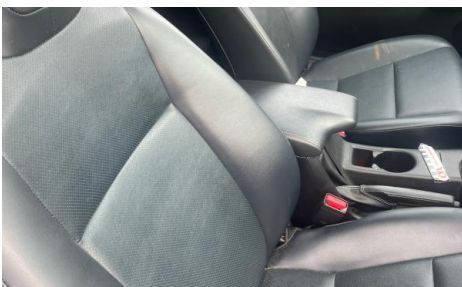
OSR

Spare

## Features

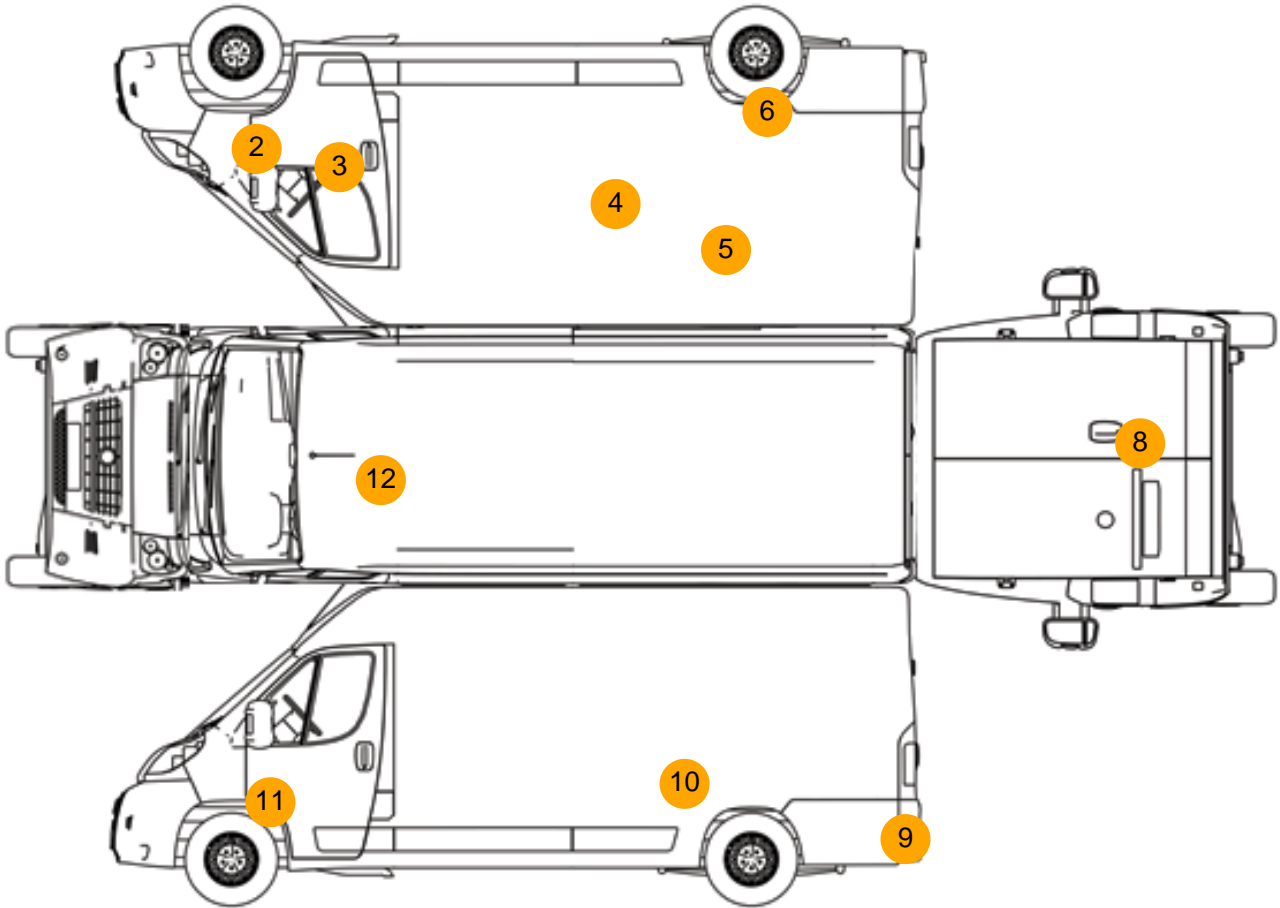
- Radio/CD
- Air conditioning
- Front electric windows
- Central locking

## Photos





## Condition Check



## Damage Photos



1: Seat Base Cover of  
Torn  
Up To 3mm

2: Wing of  
Dented  
With Paint Damage



3: Door osf  
Dented  
With Paint Damage

4: Door osr  
Dented  
With Paint Damage



5: Qtr Panel osr  
Dented  
With Paint Damage

6: Wheel osr  
Missing  
Replace



7: Other  
N/A  
N/A

8: Tailgate  
Rusted  
Over 5mm



9: Bumper Rear Moulding  
Missing  
Replace

10: Qtr Panel nsr  
Dented  
With Paint Damage



11: Wing nsf  
Dented  
With Paint Damage

12: Roof  
Rusted  
Over 5mm

**Interior**

Carpet Condition	Average	Upholstery Condition	Average
Seat Condition	Average	Odour	No
Engine Runs	Fault	Gearbox 1st and Reverse Test	Fault
Brakes	Fault	Clutch Slip Test from Static	Fault
Turbo Boosting	Fault	Gearbox Static Gear Selection (engine running)	Fault
Parking Brake	Fault	No Excessive Smoking	Fault
EML light illuminated	Fault	Oil warning light illuminated	Fault
Airbag light illuminated	Fault	DPF light illuminated	OK
ABS light illuminated	Fault	Service indicator light illuminated	Fault

Windows

OK

Radio

OK

Steering

Fault