



COMMERCIAL VEHICLE AUCTIONS LTD
THE UK'S MOST ESTABLISHED COMMERCIAL VEHICLE AUCTIONEERS

Carr Hill Industrial Estate
Doncaster
DN4 8DE

01302 732600 | cva.noreply@cva-auctions.co.uk

VEHICLE INSPECTION REPORT

OE71AMK

Man TGE 3.140

Inspection

Serious Damage? No

Vehicle

VAT Plus VAT
V5 Present

Details

Reg. date	08/12/2021	Colour	SILVER	CAP Average	£7,150.00
Year	2021	VIN	WMA03VUY8N9005392	CAP Below	£5,825.00
Mileage	141,487 Miles Not Warranted	Body Style	Panel Van L2	Gearbox	MANUAL
Fuel Type	Diesel	MOT Due	07/12/2026	Gears	6
GVW	3500kg	CAP Clean	£8,000.00	Axle Combi	4x2

AD BLUE, SIDE LOAD DOOR,

Tyres

NSF

NSR

OSF

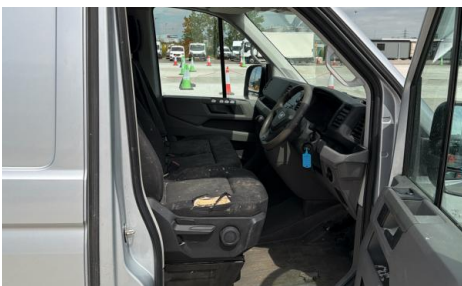
OSR

Spare

Features

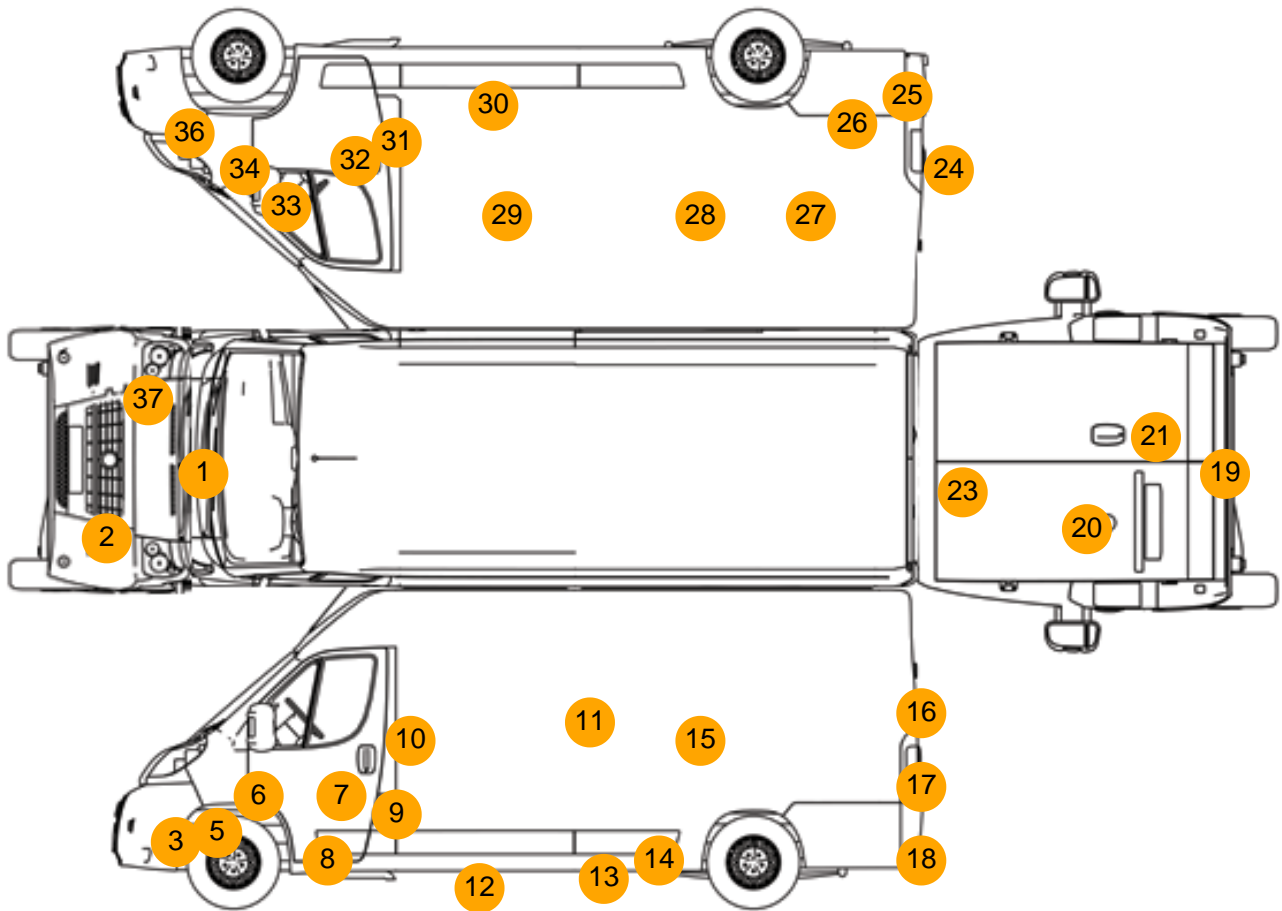
- Bluetooth connection
- Radio/CD
- Cloth seat trim
- Cruise control
- Front electric windows
- Front parking sensor
- Drivers airbag
- Rear parking sensor
- Central locking

Photos





Condition Check

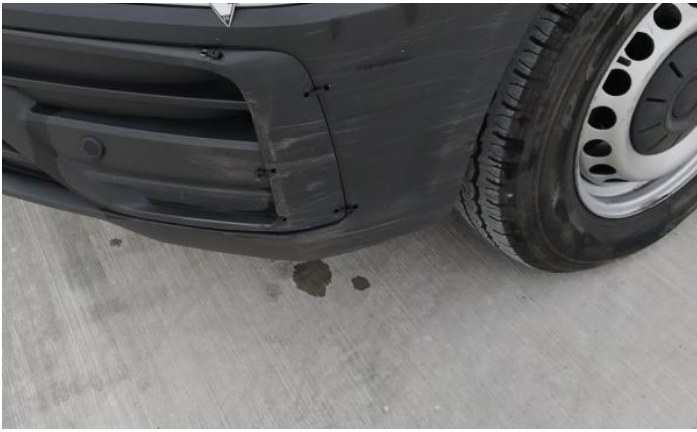


Damage Photos



1: Bonnet
Chipped
Multiple Chips

2: Bumper Front
Chipped
Multiple Chips



3: Bumper Front
Insecure
Action Required

4: Bumper Front
Scratched
Over 100mm Thru Paint



5: Bumper Front
Scratched
Over 100mm Thru Paint

6: Wing nsf
Scratched
Over 25mm Thru Paint



7: Door nsf
Scratched
Over 25mm Thru Paint

8: Door nsf
Dented
With Paint Damage



9: Door nsf
Dented
Over 30mm

10: Door nsf
Chipped
Multiple Chips



11: Qtr Panel nsr
Scratched
Over 25mm Thru Paint

12: Sill ns
Dented
With Paint Damage



13: Qtr Panel nsr
Scratched
Over 25mm Thru Paint

14: Qtr Panel Moulding ns
Scratched (Painted)
Over 25mm Thru Paint



15: Qtr Panel nsr
Chipped
Over 5mm

16: Panel Rear
Chipped
Over 5mm



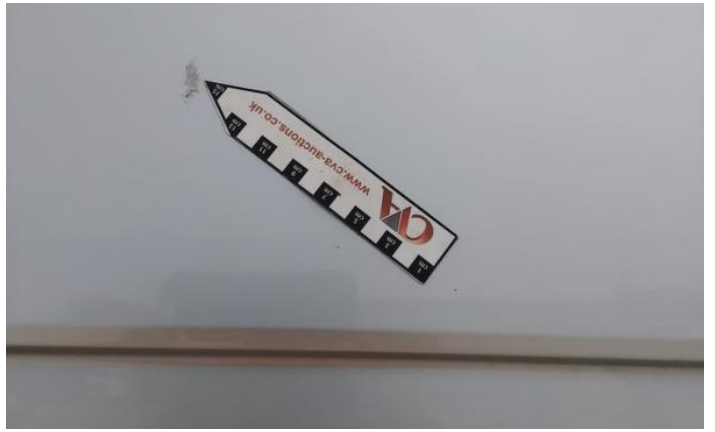
17: Reflector nsr
Broken
Replace

18: Bumper Rear
Scratched
Over 100mm Thru Paint



19: Bumper Rear
Cracked
Over 25mm

20: Door nsr
Dented
With Paint Damage



21: Door osr
Chipped
Over 5mm

22: Door osr
Scratched
Over 25mm Thru Paint



23: Panel Rear
Dented
Hail - Severe

24: Lamp osr
Broken
Replace



25: Bumper Rear
Scratched
Over 100mm Thru Paint

26: Qtr Panel osr
Dented
With Paint Damage



27: Qtr Panel osr
Scratched
Over 25mm Thru Paint

28: Qtr Panel osr
Scratched
Over 25mm Thru Paint



29: Qtr Panel osr
Scratched
Over 25mm Thru Paint

30: Sill os
Dented
With Paint Damage



31: Door osf
Dented
With Paint Damage

32: Door osf
Scratched
Over 25mm Thru Paint



33: Door Mirror Assy osf
Scratched (Painted)
Over 25mm Thru Paint

34: Wing osf
Chipped
Multiple Chips



35: A Post os
Chipped
Over 5mm

36: Bumper Front
Scratched
Over 100mm Thru Paint



37: Bumper Front
Chipped
Multiple Chips

38: Seat Base Cover osf
Holed
Over 3mm



39: Carpets Front
Holed
Over 3mm

40: Seat Base Cover nsf
Soiled
Heavy



41: Seat Base Cover nsf
Holed
Over 3mm

42: Centre Console Front
Scuffed
Over 25mm

Interior

**Carpet Condition
Seat Condition**

Average
Poor

**Upholstery Condition
Odour**

Average
-

Engine Runs	OK	Gearbox 1st and Reverse Test	OK
Brakes	OK	Gearbox Static Gear Selection (engine running)	OK
Turbo Boosting	OK	No Excessive Smoking	OK
Parking Brake	OK		
EML light illuminated	OK	DPF light illuminated	OK
ABS light illuminated	OK		