



**COMMERCIAL VEHICLE AUCTIONS LTD**  
THE UK'S MOST ESTABLISHED COMMERCIAL VEHICLE AUCTIONEERS

Carr Hill Industrial Estate  
Doncaster  
DN4 8DE

01302 732600 | cva.noreply@cva-auctions.co.uk

# VEHICLE INSPECTION REPORT

**FA18FNF**

## Vauxhall Vivaro 2900 1.6 CDTI 95PS

### Inspection

Serious Damage? No

### Vehicle

VAT Plus VAT

V5 Present

### Details

Reg. date	13/08/2018	Colour	WHITE	CAP Clean	£5,250.00
Year	2018	VIN	W0VF7F602JV650460	CAP Average	£4,450.00
Mileage	69,104 Miles Warranted	Body Style	Panel Van	CAP Below	£3,375.00
Fuel Type	Diesel	Service history	Yes	Gearbox	MANUAL
GVW	2960kg	MOT Due	04/09/2026	Gears	6

TWIN SIDE LOAD DOOR, ROOF RACK, E/ MIRRORS, LADDER STOW, PIPE TUBES, RACKING IN REAR

### Tyres

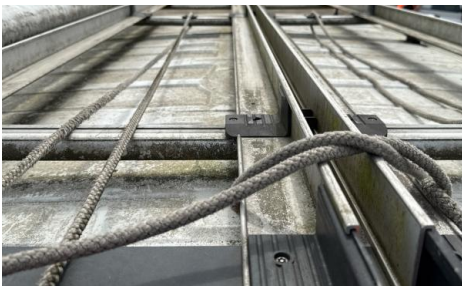
NSF
NSR
OSF
OSR
Spare

## Features

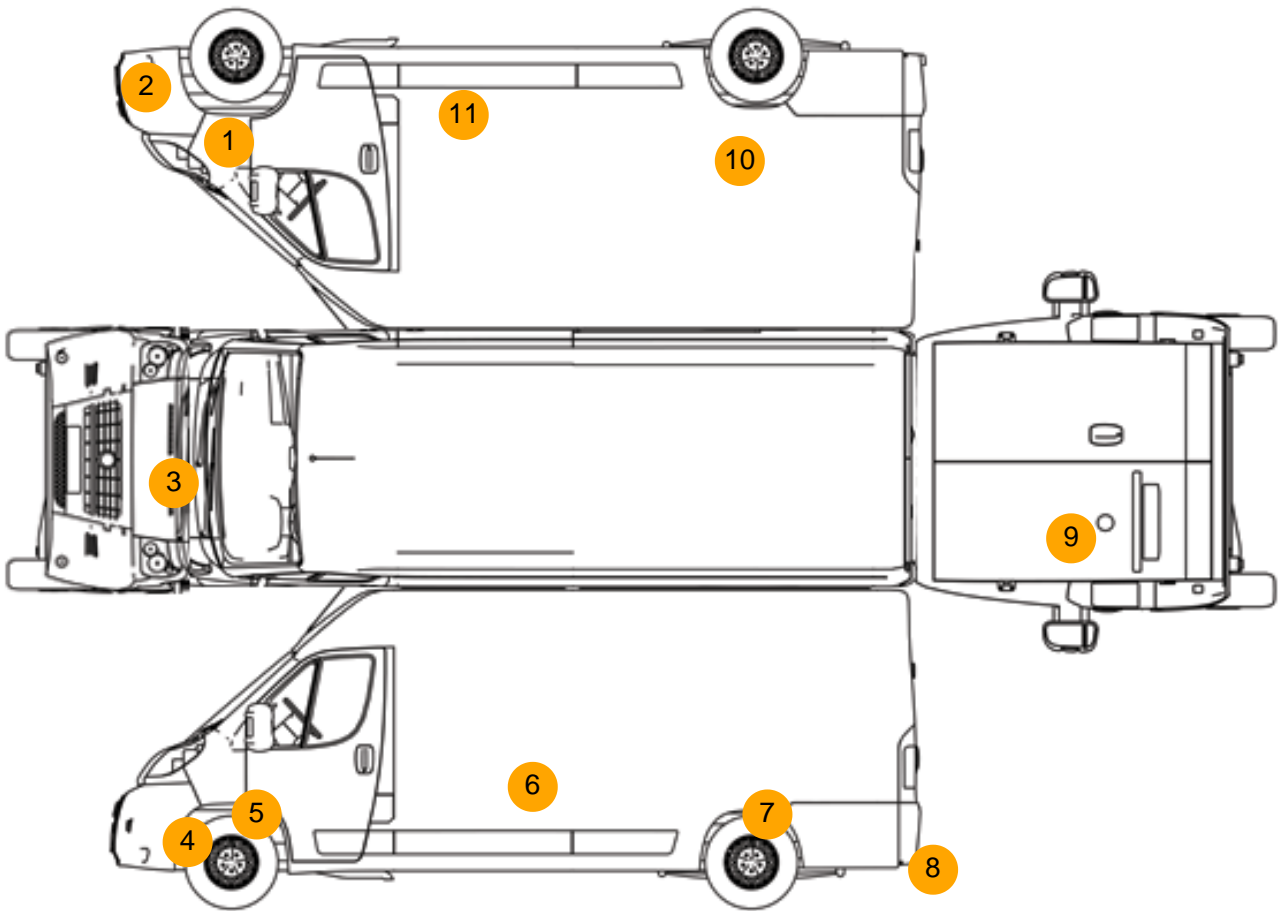
- Rear parking sensor
- Front electric windows
- Central locking

## Photos





## Condition Check



## Damage Photos



1: Wing of  
Scratched  
Over 25mm Thru Paint



2: Bumper Front Moulding  
Scuffed (Unpainted)  
Over 100mm



3: Bonnet  
Chipped  
Multiple Chips

4: Bumper Front Moulding  
Scuffed (Unpainted)  
Over 100mm



5: Wing nsf  
Dented  
With Paint Damage

6: Door nsr  
Dented  
Hail - Moderate



7: Panel Rear  
Dented  
With Paint Damage

8: Bumper Rear Moulding  
Scuffed (Unpainted)  
Over 100mm



9: Door Moulding nsr  
Scratched (Painted)  
Over 25mm Thru Paint

10: Panel Rear  
Dented  
With Paint Damage



11: Sill Panel Trim os  
Missing  
Replace

12: Carpets Front  
Holed  
Over 3mm



13: Seat Base Cover osf  
Holed  
Over 3mm

## Interior

<b>Carpet Condition</b>	Poor	<b>Upholstery Condition</b>	Average
<b>Seat Condition</b>	Poor	<b>Odour</b>	No
Engine Runs	OK	Gearbox 1st and Reverse Test	OK
Brakes	OK	Clutch Slip Test from Static	OK
Parking Brake	OK	Gearbox Static Gear Selection (engine running)	OK
		No Excessive Smoking	OK
EML light illuminated	OK	Oil warning light illuminated	OK
Airbag light illuminated	OK	DPF light illuminated	OK
ABS light illuminated	OK	Service indicator light illuminated	OK