



COMMERCIAL VEHICLE AUCTIONS LTD
THE UK'S MOST ESTABLISHED COMMERCIAL VEHICLE AUCTIONEERS

Carr Hill Industrial Estate
Doncaster
DN4 8DE

01302 732600 | cva.noreply@cva-auctions.co.uk

VEHICLE INSPECTION REPORT

PF66YDY

Daf LF 230

Inspection		Vehicle	
Serious Damage?	No	VAT	Plus VAT
		V5	To Follow

Details			
Reg. date	26/01/2017	VIN	XLRAEL3700L461969
Year	2017	Body Style	Box Van
Mileage	834,966 Km Warranted	Service history	Yes
Fuel Type	Diesel	Service documents	Printout
GVW	18000kg	MOT Due	31/03/2027
Colour	RED	Cab Type	DAY CAB
		Gearbox	AUTOMATIC
		Axle Combi	4x2
		Rear Suspension	Steel
		Tail Lift	Cantilever

COLLECTED AS NON-RUNNER - TAIL LIFT REQUIRES ATTENTION

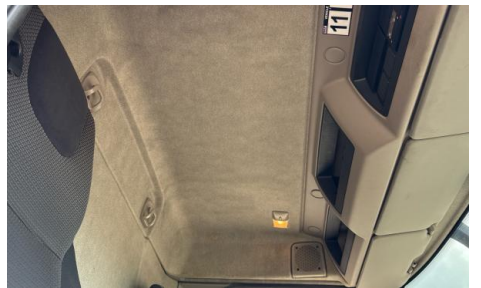
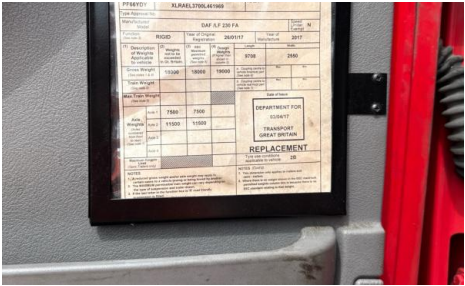
Tyres				
NSF	NSI1	NSI2	NSI3	NSI4
OSF	OSI1	OSI2	OSI3	OSI4
Spare	NSO1	NSO2	NSO3	NSO4
	OSO1	OSO2	OSO3	OSO4

Features

- Cruise control
- Radio/CD
- Air conditioning
- Front electric windows
- Central locking
- Cloth seat trim

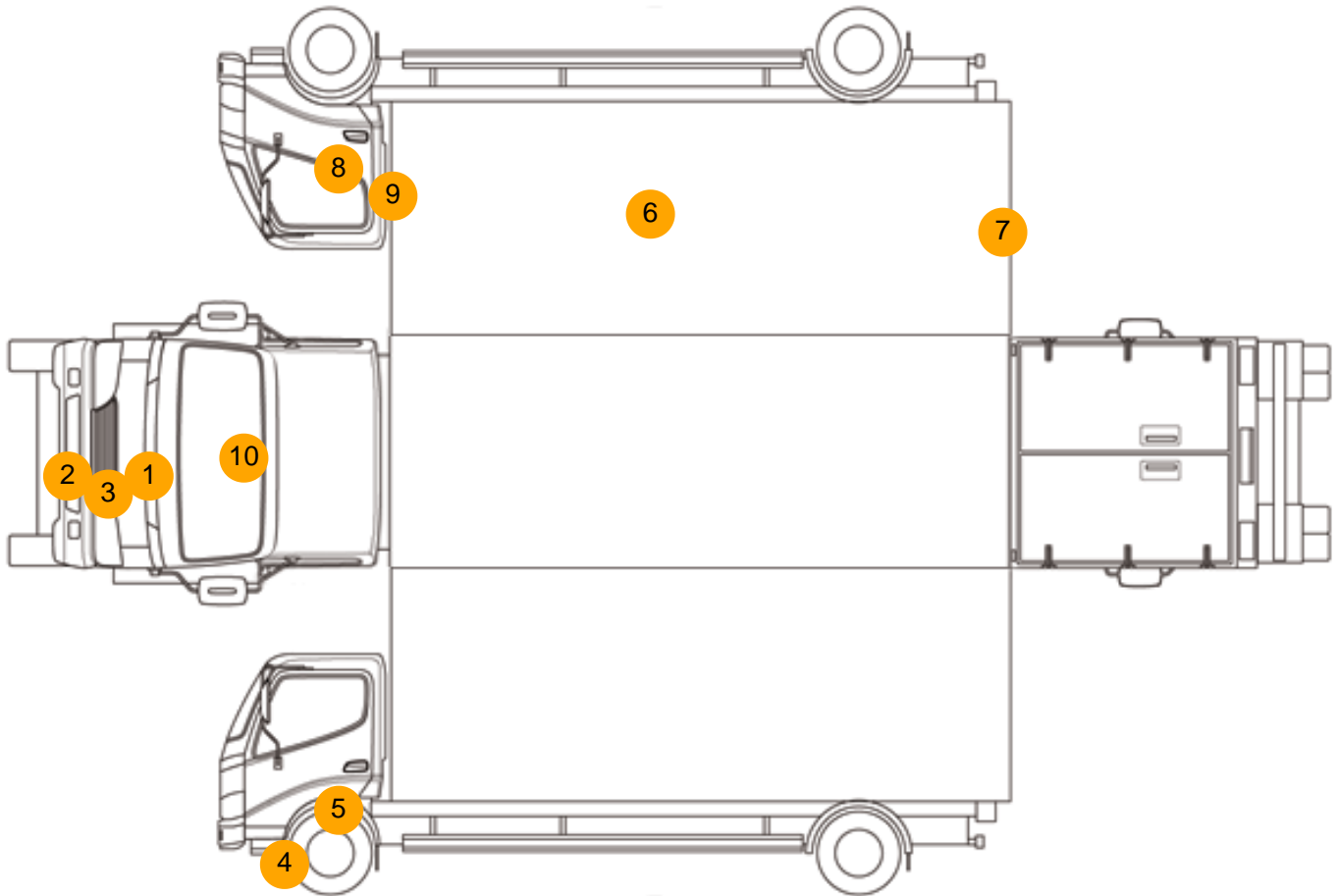
Photos







Condition Check



Damage Photos



1: Bonnet
Chipped
Multiple Chips

2: Number Plate Front
Missing
Replace



3: Bumper Front
Scratched
Over 100mm Thru Paint

4: Bumper Front Moulding
Broken
Replace



5: Wing nsf
Scratched
Over 25mm Thru Paint

6: Qtr Panel osr
Scratched
Over 25mm Not Thru Paint



7: Qtr Panel osr
Scratched
Over 25mm Thru Paint

8: Door osf
Scratched
Over 25mm Thru Paint



9: Door osf
 Scratched
 Over 25mm Not Thru Paint

10: Screen Front
 Cracked
 Replace



11: Door Pad osf
 Soiled
 Heavy

Interior

Carpet Condition
Seat Condition

OK
 OK

Upholstery Condition
Odour

Poor
 -

Engine Runs	OK	No Excessive Smoking	OK
EML light illuminated	OK	DPF light illuminated	OK
ABS light illuminated	OK		