



COMMERCIAL VEHICLE AUCTIONS LTD
THE UK'S MOST ESTABLISHED COMMERCIAL VEHICLE AUCTIONEERS

Carr Hill Industrial Estate
Doncaster
DN4 8DE

01302 732600 | cva.noreply@cva-auctions.co.uk

VEHICLE INSPECTION REPORT

GK22PKV

Iveco Daily 72-180

Inspection

Serious Damage? No

Vehicle

VAT Plus VAT

V5 Present

Details

Reg. date	07/04/2022	Colour	WHITE	Axle Combi	4x2
Year	2022	VIN	ZCFC670D20D697986	Rear Suspension	Steel
Mileage	194,790 Km Warranted	Body Style	Box Van	Rear Doors	Roller
Fuel Type	Diesel	Cab Type	DAY CAB	Tail Lift	Column
GVW	7200kg	Gearbox	AUTOMATIC		

Tyres

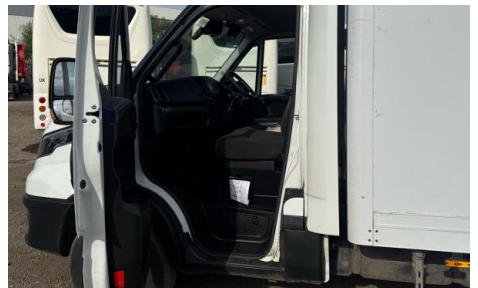
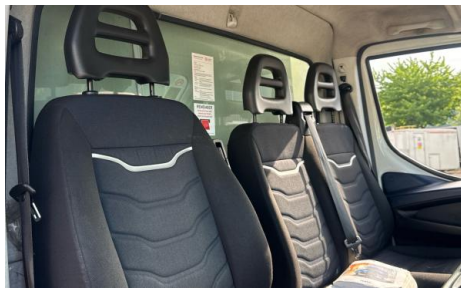
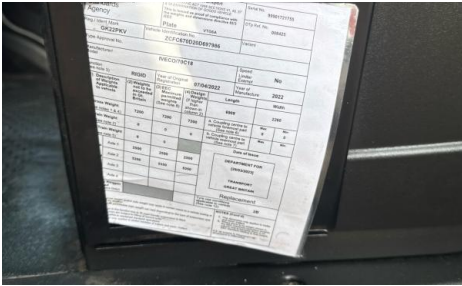
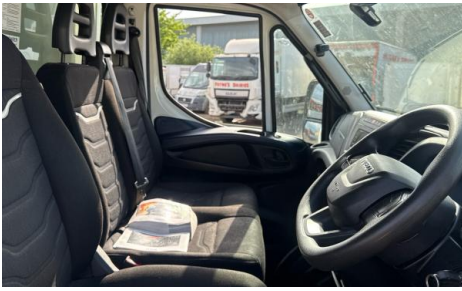
NSF	NSI1	NSI2	NSI3	NSI4
OSF	OSI1	OSI2	OSI3	OSI4
Spare	NSO1	NSO2	NSO3	NSO4
	OSO1	OSO2	OSO3	OSO4

Features

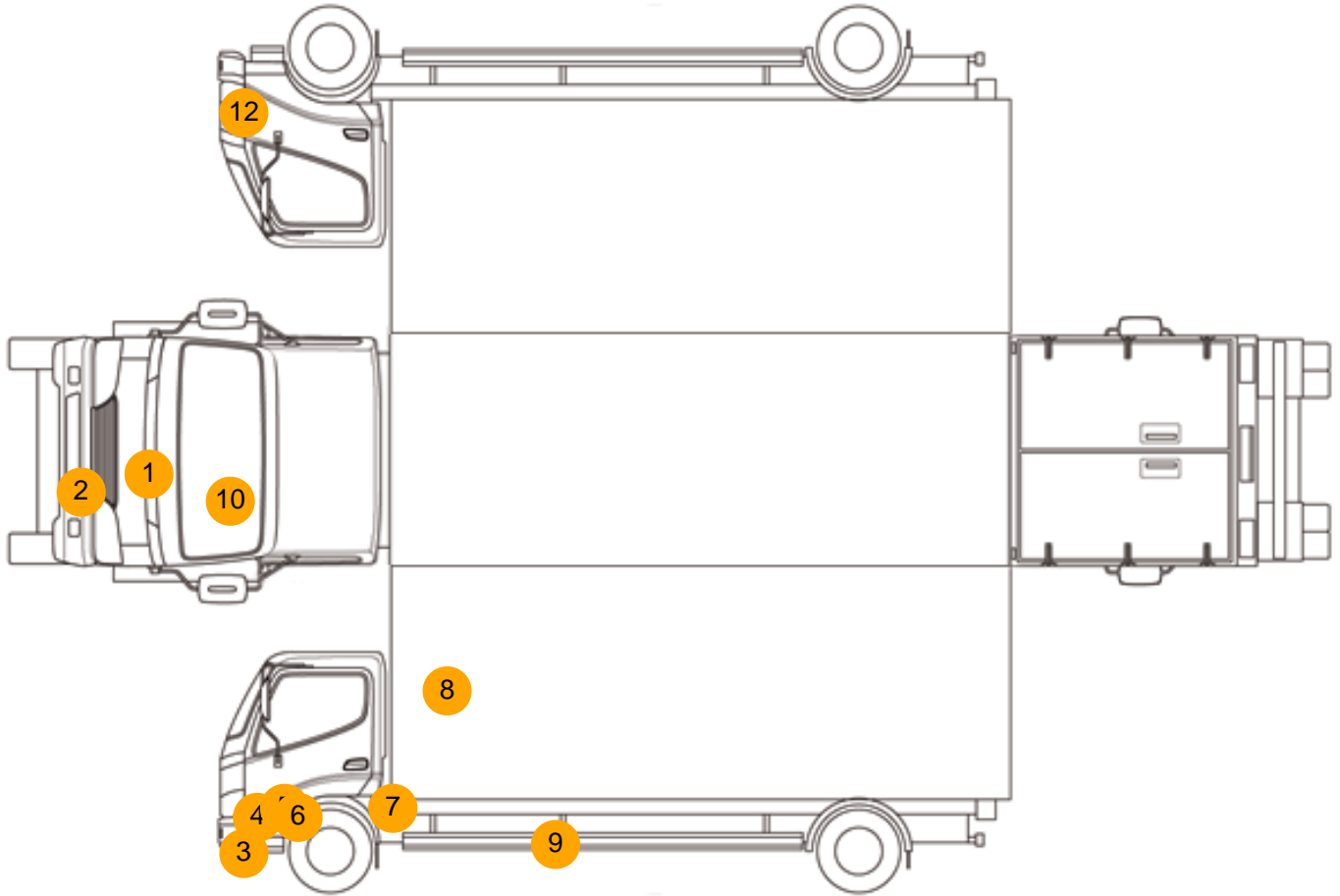
- Bluetooth connection
- Front electric windows
- Cloth seat trim
- Park assist camera
- Drivers airbag
- Digital radio
- Passenger airbag
- Air conditioning
- Central locking

Photos





Condition Check



Damage Photos



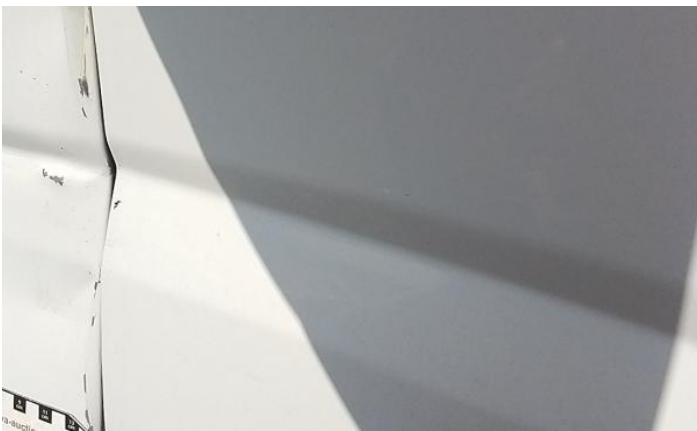
1: Bonnet
Chipped
Multiple Chips

2: Number Plate Front
Missing
Replace



3: Bumper Front
Scratched
Over 100mm Thru Paint

4: Wing nsf
Dented
With Paint Damage



5: Door nsf
Dented
With Paint Damage

6: Door Moulding nsf
Scuffed (Unpainted)
Over 100mm



7: Qtr Panel Moulding ns
Scuffed (Unpainted)
Over 100mm

8: Qtr Panel Trim ns
Broken
Replace



9: Qtr Panel Moulding ns
Scuffed (Unpainted)
Over 100mm

10: Screen Front
Scratched
Over 30mm



11: Seat Base Cover osf
Holed
Over 3mm

12: Wing osf
Dented
With Paint Damage

Interior

Carpet Condition
Seat Condition

OK
Poor

Upholstery Condition
Odour

OK
-

Engine Runs	OK	No Excessive Smoking	OK
EML light illuminated	OK	DPF light illuminated	OK
ABS light illuminated	OK		