



COMMERCIAL VEHICLE AUCTIONS LTD
THE UK'S MOST ESTABLISHED COMMERCIAL VEHICLE AUCTIONEERS

Carr Hill Industrial Estate
Doncaster
DN4 8DE

01302 732600 | cva.noreply@cva-auctions.co.uk

VEHICLE INSPECTION REPORT

GK22PKX

Iveco Daily 72-180

Inspection

Serious Damage? No

Vehicle

VAT Plus VAT

V5 Present

Details

Reg. date	29/03/2022	Colour	WHITE	Axle Combi	4x2
Year	2022	VIN	ZCFC670DX0D697993	Rear Suspension	Steel
Mileage	212,527 Km Warranted	Body Style	Box Van	Rear Doors	Roller
Fuel Type	Diesel	Cab Type	DAY CAB	Tail Lift	Column
GVW	7200kg	Gearbox	AUTOMATIC		

Tyres

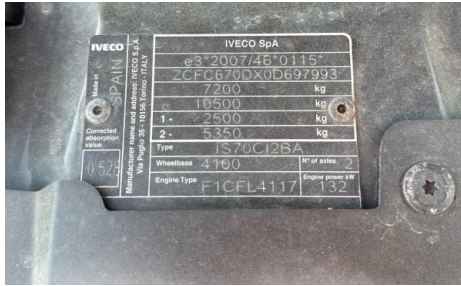
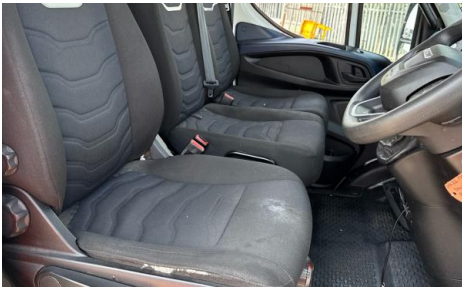
NSF	NSI1	NSI2	NSI3	NSI4
OSF	OSI1	OSI2	OSI3	OSI4
Spare	NSO1	NSO2	NSO3	NSO4
	OSO1	OSO2	OSO3	OSO4

Features

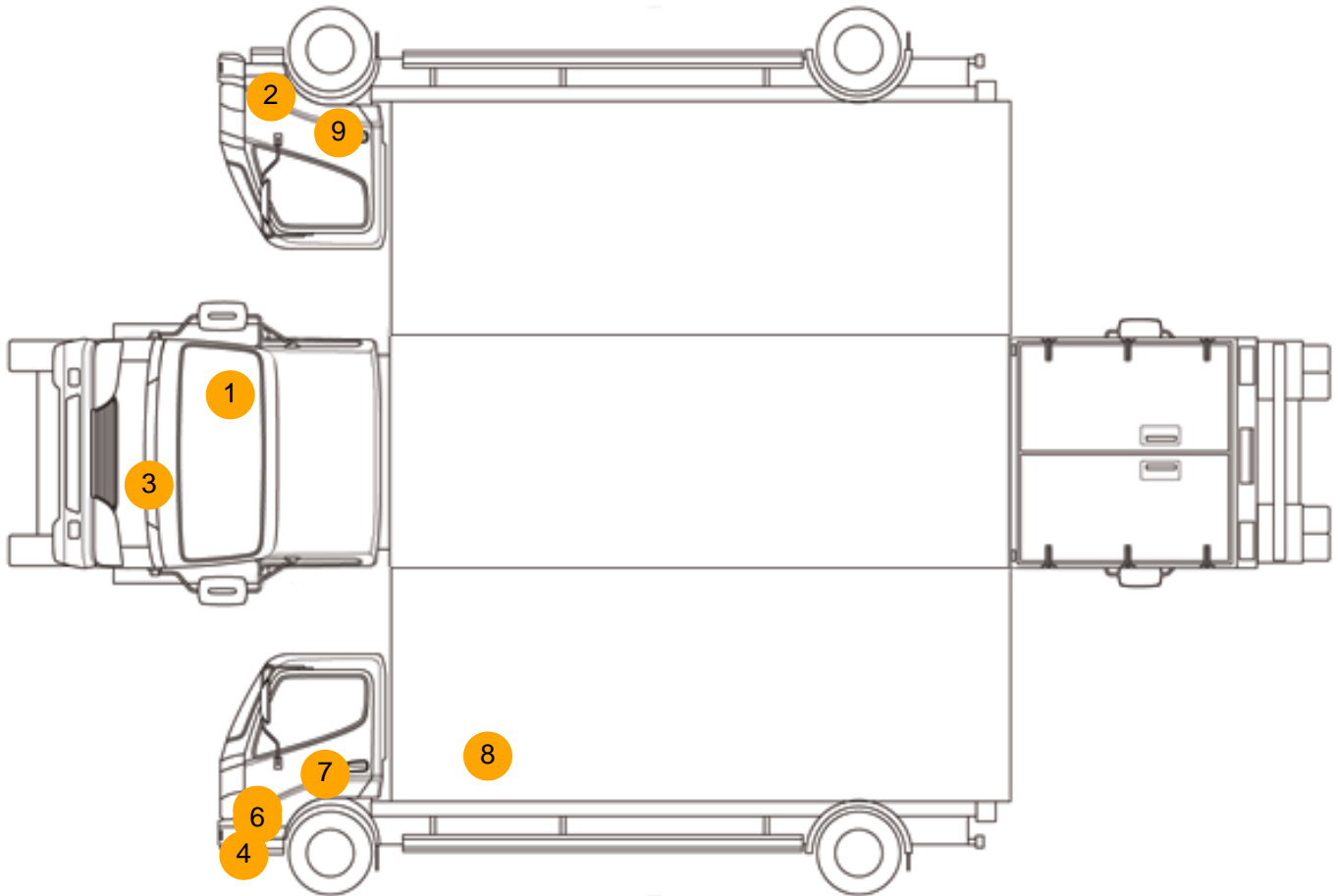
- Bluetooth connection
- Front electric windows
- Cloth seat trim
- Park assist camera
- Drivers airbag
- Digital radio
- Passenger airbag
- Air conditioning
- Central locking

Photos





Condition Check



Damage Photos



1: Screen Front
Chipped
Over 10mm

2: Bumper Front
Dented
Over 30mm



3: Bonnet
Chipped
Multiple Chips

4: Bumper Front
Dented
With Paint Damage



5: Panel Front
Scratched
Over 25mm Thru Paint

6: Wing nsf
Scratched
Over 25mm Thru Paint



7: Door nsf
Dented
With Paint Damage

8: Qtr Panel nsr
Cracked
Replace



9: Door osf
Chipped
Over 5mm

10: Seat Base Cover osf
Torn
Over 3mm



11: Seat Base Cover nsf
Soiled
Heavy

12: Glove Box Lid
Broken
Replace



13: Fascia Panel
Broken
Replace

Interior

Carpet Condition	OK	Upholstery Condition	Poor
Seat Condition	Poor	Odour	-
Engine Runs	OK	No Excessive Smoking	OK
EML light illuminated	OK	DPF light illuminated	OK
ABS light illuminated	OK		