



COMMERCIAL VEHICLE AUCTIONS LTD
THE UK'S MOST ESTABLISHED COMMERCIAL VEHICLE AUCTIONEERS

Carr Hill Industrial Estate
Doncaster
DN4 8DE

01302 732600 | cva.noreply@cva-auctions.co.uk

VEHICLE INSPECTION REPORT

GK22PKZ

Iveco Daily 72-180

Inspection

Serious Damage? No

Vehicle

VAT Plus VAT

V5 To Follow

Details

Reg. date	07/04/2022	Colour	WHITE	Gearbox	AUTOMATIC
Year	2022	VIN	ZCFC670D10D697994	Axle Combi	4x2
Mileage	127,371 Km Warranted	Body Style	Box Van	Rear Suspension	Steel
Fuel Type	Diesel	MOT Due	31/07/2026	Rear Doors	Curtain
GVW	44000kg	Cab Type	DAY CAB	Tail Lift	Cantilever

WARNING LIGHTS ON DASH

Tyres

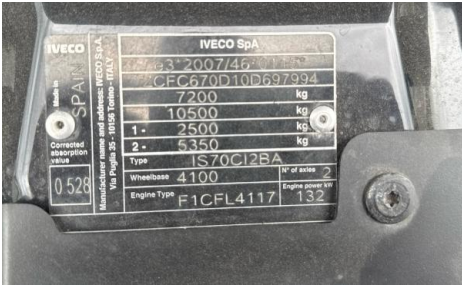
NSF	NSI1	NSI2	NSI3	NSI4
OSF	OSI1	OSI2	OSI3	OSI4
Spare	NSO1	NSO2	NSO3	NSO4
	OSO1	OSO2	OSO3	OSO4

Features

- Park assist camera
- Digital radio
- Air conditioning

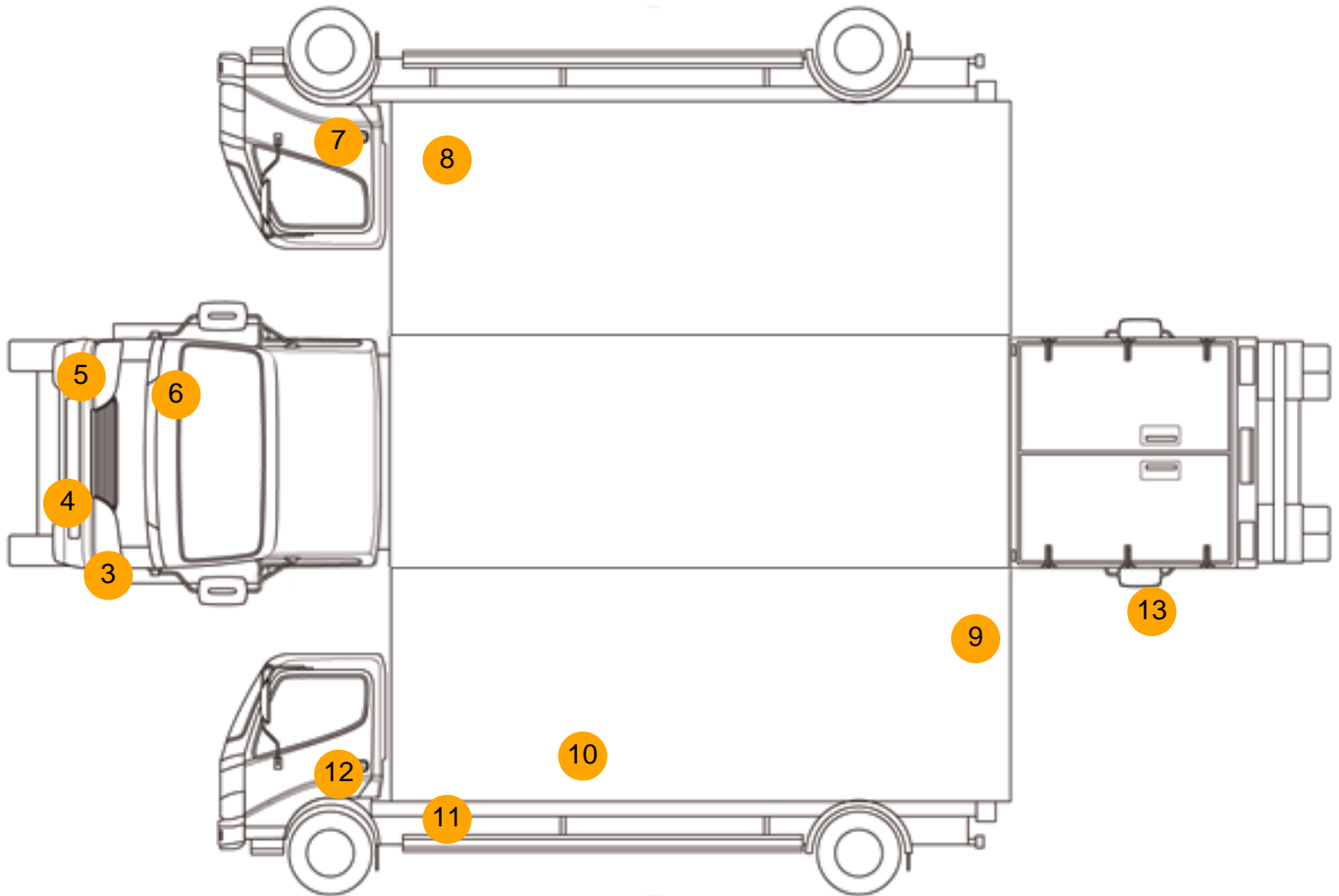
Photos







Condition Check



Damage Photos



1: Fascia Panel
Holed
Over 3mm

2: Seat Base Cover of
Scuffed
Over 25mm



3: Bumper Front
Dented
Over 30% Of Panel

4: Bumper Front Moulding
Missing
Replace



5: Bumper Front Moulding
Scuffed (Unpainted)
Over 100mm

6: Bonnet
Scratched
Up To 25mm Thru Paint



7: Door osf
Chipped
Multiple Chips

8: Panel Front
Dented
With Paint Damage



9: Panel Rear
Scratched
Over 25mm Thru Paint

10: Panel Rear
Scratched
Over 25mm Thru Paint



11: Panel Front
Dented
With Paint Damage

12: Door nsf
Dented
With Paint Damage



13: Door Mirror Assy nsf
Broken
Replace

Interior

Carpet Condition	Average	Upholstery Condition	Poor
Seat Condition	Poor	Odour	-
EML light illuminated	OK	Oil warning light illuminated	OK
Airbag light illuminated	OK	DPF light illuminated	Fault
ABS light illuminated	OK	Service indicator light illuminated	OK