



COMMERCIAL VEHICLE AUCTIONS LTD
THE UK'S MOST ESTABLISHED COMMERCIAL VEHICLE AUCTIONEERS

Carr Hill Industrial Estate
Doncaster
DN4 8DE

01302 732600 | cva.noreply@cva-auctions.co.uk

VEHICLE INSPECTION REPORT

GK71TTY

Iveco Daily 72-180

Inspection

Serious Damage? No

Vehicle

VAT Plus VAT

V5 Present

Details

Reg. date	09/12/2021	VIN	ZCFC670DX0D692597	Axle Combi	4x2
Year	2021	Body Style	Box Van	Rear Suspension	Steel
Mileage	228,759 Km Warranted	MOT Due	28/02/2027	Rear Doors	Roller
Fuel Type	Diesel	Cab Type	DAY CAB	Tail Lift	Cantilever
Colour	WHITE	Gearbox	AUTOMATIC		

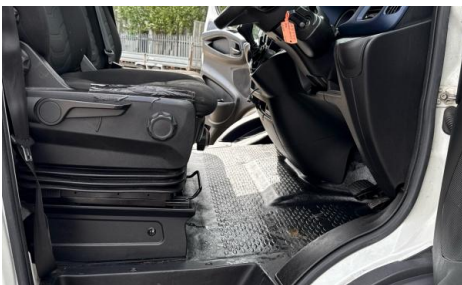
Tyres

NSF	NSI1	NSI2	NSI3	NSI4
OSF	OSI1	OSI2	OSI3	OSI4
Spare	NSO1	NSO2	NSO3	NSO4
	OSO1	OSO2	OSO3	OSO4

Features

- Bluetooth connection
- Drivers airbag
- Digital radio
- Passenger airbag
- Air conditioning
- Central locking
- Front electric windows
- Cloth seat trim

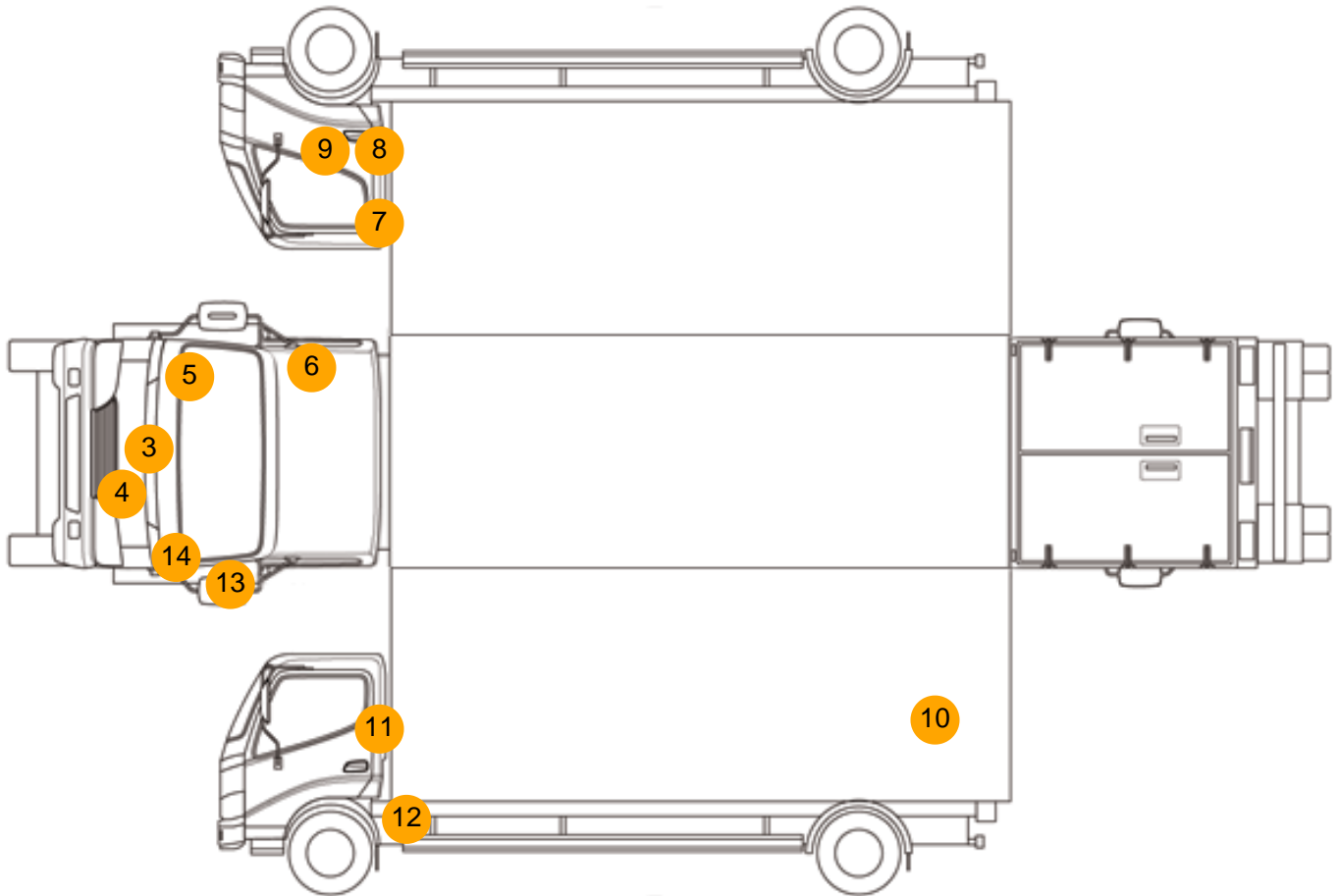
Photos







Condition Check



Damage Photos



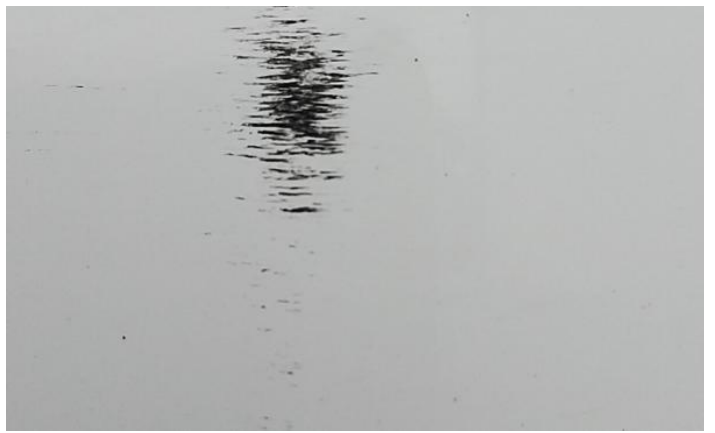
1: Carpets Front
Holed
Over 3mm

2: Seat Base Cover of
Holed
Over 3mm



3: Bumper Front
Chipped
Over 5mm

4: Bumper Front
Chipped
1 To 5



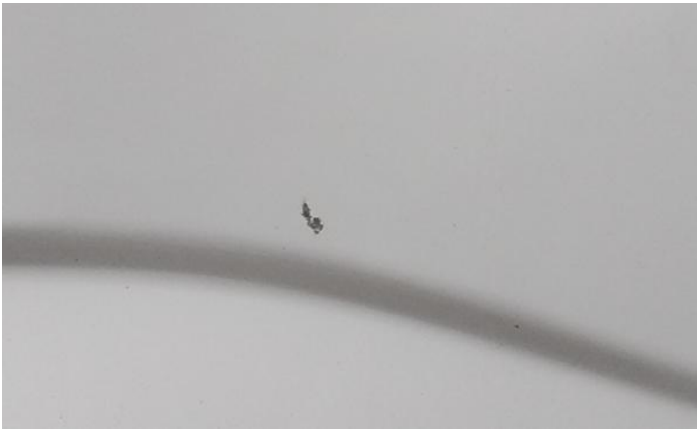
5: Bonnet
Scratched
Over 25mm Thru Paint

6: Panel Front
Scratched
UpTo 25mm Thru Paint



7: Door osf
Chipped
Edge Chip

8: Door osf
Chipped
Edge Chip



9: Door osf
 Scratched
 UpTo 25mm Not Thru Paint

10: Panel Rear
 Cracked
 Replace



11: Door nsf
 Chipped
 Edge Chip

12: Door nsf
 Chipped
 Edge Chip



13: A Post ns
 Missing
 Replace

14: Bumper Front
 Poor Previous Repair
 Poor Paint

Interior

Carpet Condition	Poor	Upholstery Condition	Average
Seat Condition	Poor	Odour	-
Engine Runs	OK	Gearbox 1st and Reverse Test	OK
Brakes	OK	Clutch Slip Test from Static	OK
Turbo Boosting	OK	Gearbox Static Gear Selection (engine running)	OK
Parking Brake	OK	No Excessive Smoking	OK
EML light illuminated	OK	Oil warning light illuminated	OK
Airbag light illuminated	OK	DPF light illuminated	OK
ABS light illuminated	OK	Service indicator light illuminated	OK
Windows	OK	Radio	OK
		Steering	OK