



**COMMERCIAL VEHICLE AUCTIONS LTD**  
THE UK'S MOST ESTABLISHED COMMERCIAL VEHICLE AUCTIONEERS

Carr Hill Industrial Estate  
 Doncaster  
 DN4 8DE

01302 732600 | [cva.noreply@cva-auctions.co.uk](mailto:cva.noreply@cva-auctions.co.uk)

# VEHICLE INSPECTION REPORT

**URZ2750**

## Scania S 540

### Inspection

**Serious Damage?** No

### Vehicle

**VAT** Plus VAT  
**V5** Present

### Details

<b>Reg. date</b>	28/04/2023	<b>Colour</b>	BLUE	<b>Gearbox</b>	AUTOMATIC
<b>Year</b>	2023	<b>VIN</b>	YS2S6X20005671192	<b>Axle Combi</b>	6x2
<b>Mileage</b>	429,195 Km Not Warranted	<b>Body Style</b>	Tractor Unit	<b>Steering Combi</b>	Mid-Lift
<b>Fuel Type</b>	Diesel	<b>Service history</b>	Yes	<b>Rear Suspension</b>	Air
<b>GVW</b>	44000kg	<b>Cab Type</b>	HIGHLINE CAB		

\*WARNING LIGHTS ON DASH\* FULL AIR SUSPENSION, RETARDER, A/C POD, FRIDGE, MICROWAVE, ALLOY WHEELS, HEATED & COOLED DRIVERS SEAT, PREMIUM INFOTAINMENT SYSTEM, PREMIUM INSTRUMENTS

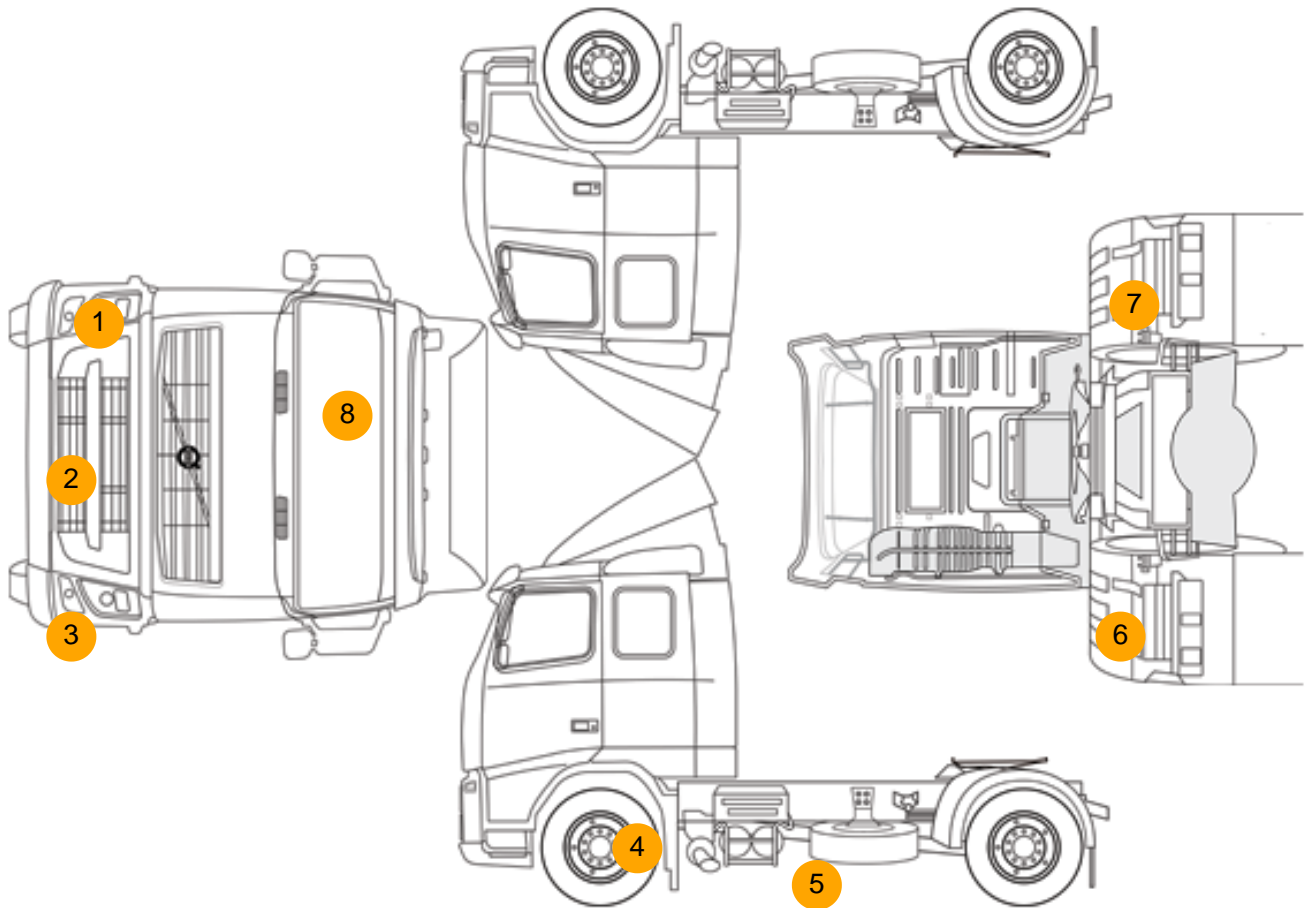
### Tyres

<b>NSF</b>	<b>NSI1</b>	<b>NSI2</b>	<b>NSI3</b>	<b>NSI4</b>
<b>OSF</b>	<b>OSI1</b>	<b>OSI2</b>	<b>OSI3</b>	<b>OSI4</b>
<b>Spare</b>	<b>NSO1</b>	<b>NSO2</b>	<b>NSO3</b>	<b>NSO4</b>
	<b>OSO1</b>	<b>OSO2</b>	<b>OSO3</b>	<b>OSO4</b>

## Features

- Bluetooth connection
- Auxiliary input socket
- Central locking
- Cruise control
- Digital radio
- Leather seat trim
- Navigation system
- Air conditioning
- Park assist camera
- Front electric windows

# Condition Check



## Damage Photos



1: Bumper Front Moulding  
Scratched (Painted)  
Over 25mm Thru Paint

2: Bumper Front  
Chipped  
Multiple Chips



3: Bumper Front Moulding  
Scratched (Painted)  
Over 25mm Thru Paint

4: Wheel nsf  
Scratched  
Over 50mm



5: Qtr Panel Moulding ns  
Scratched (Painted)  
Over 25mm Thru Paint

6: Qtr Panel Moulding ns  
Broken  
Replace



7: Qtr Panel Moulding os  
Broken  
Replace

8: Screen Front  
Chipped  
Over 10mm



9: Dash Warning Lights  
 Displayed  
 No Action

**Interior**

<b>Carpet Condition</b>	OK	<b>Upholstery Condition</b>	OK
<b>Seat Condition</b>	OK	<b>Odour</b>	-
Engine Runs	OK	No Excessive Smoking	OK
EML light illuminated	Fault	DPF light illuminated	OK
ABS light illuminated	OK		