



COMMERCIAL VEHICLE AUCTIONS LTD
THE UK'S MOST ESTABLISHED COMMERCIAL VEHICLE AUCTIONEERS

Carr Hill Industrial Estate
Doncaster
DN4 8DE

01302 732600 | cva.noreply@cva-auctions.co.uk

VEHICLE INSPECTION REPORT

YA12USY

Ford Transit T350 2.2 TDCI 125PS

Inspection

Serious Damage? No

Vehicle

VAT Plus VAT

V5 Present

Details

Reg. date	17/08/2012	Colour	WHITE	CAP Average	£2,850.00
Year	2012	VIN	WF0FXXTTFFCA01784	CAP Below	£1,875.00
Mileage	121,652 Miles Warranted	Body Style	Tipper	Gearbox	MANUAL
Fuel Type	Diesel	MOT Due	06/07/2026	Gears	6
GVW	3500kg	CAP Clean	£3,650.00		

Tyres

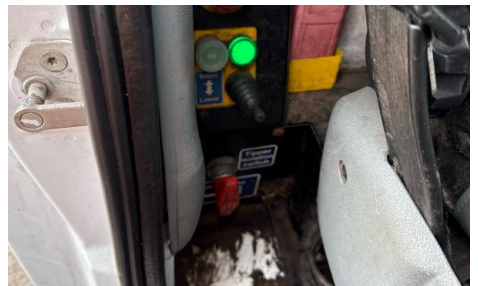
NSF	
NSR	
OSF	
OSR	
Spare	

Features

- Heated front seat
- Front electric windows
- Park assist camera
- Drivers airbag
- Auxiliary input socket
- Central locking
- Digital radio
- Cloth seat trim

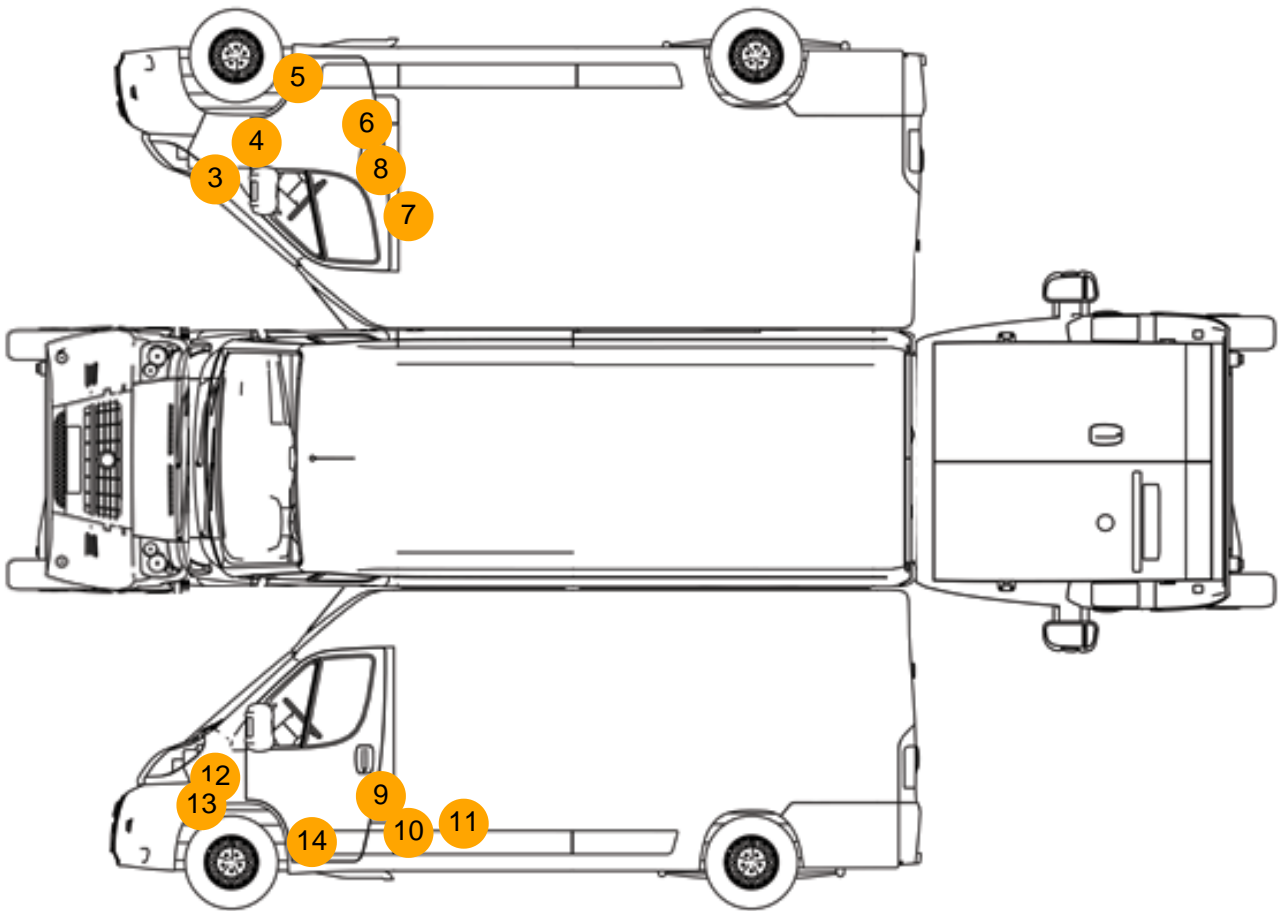
Photos







Condition Check



Damage Photos



1: Carpets Front
Holed
Over 3mm

2: Seat Base Cover of
Holed
Over 3mm



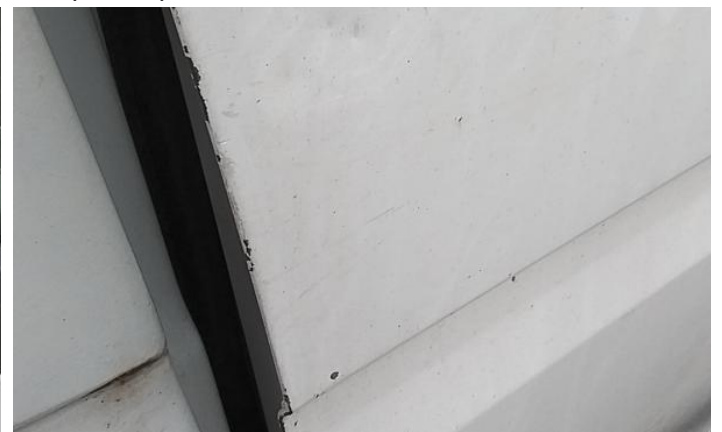
3: Wing osf
Dented
With Paint Damage

4: Wing osf
Rusted
Over 5mm



5: Panel Front
Rusted
Over 5mm

6: Door osf
Chipped
Multiple Chips



7: Door osf
Chipped
Edge Chip

8: Door osf
Chipped
Edge Chip



9: Door nsf
Scratched
Over 25mm Not Thru Paint

10: Door nsf
Chipped
Edge Chip



11: B Post ns
Scratched
Over 25mm Not Thru Paint

12: Wing nsf
Dented
With Paint Damage



13: Bumper Front Moulding
Scuffed (Unpainted)
Over 100mm

14: Panel Front
Rusted
Over 5mm

Interior

Carpet Condition	Poor	Upholstery Condition	Average
Seat Condition	Poor	Odour	No
Engine Runs	OK	Gearbox 1st and Reverse Test	OK
Brakes	OK	Clutch Slip Test from Static	OK
Turbo Boosting	OK	Gearbox Static Gear Selection (engine running)	OK
Parking Brake	OK	No Excessive Smoking	OK
EML light illuminated	OK	Oil warning light illuminated	OK
Airbag light illuminated	OK	DPF light illuminated	OK
ABS light illuminated	OK	Service indicator light illuminated	OK
Windows	OK	Radio	Fault
		Steering	OK