



COMMERCIAL VEHICLE AUCTIONS LTD
THE UK'S MOST ESTABLISHED COMMERCIAL VEHICLE AUCTIONEERS

Carr Hill Industrial Estate
Doncaster
DN4 8DE

01302 732600 | cva.noreply@cva-auctions.co.uk

VEHICLE INSPECTION REPORT

YG63DHX

Ford Transit T350 2.2 TDCI 125PS

Inspection

Serious Damage? No

Vehicle

VAT Plus VAT

V5 Present

Details

Reg. date	11/12/2013	Colour	WHITE	CAP Average	£4,600.00
Year	2013	VIN	WF0FXXTTFFDC50844	CAP Below	£3,025.00
Mileage	52,905 Miles Not Warranted	Body Style	Tipper	Gearbox	MANUAL
Fuel Type	Diesel	MOT Due	22/10/2026	Gears	6
GVW	3500kg	CAP Clean	£5,875.00		

HEATED WINDSCREEN

Tyres

NSF
NSR
OSF
OSR
Spare

Features

- Front electric windows
- Central locking

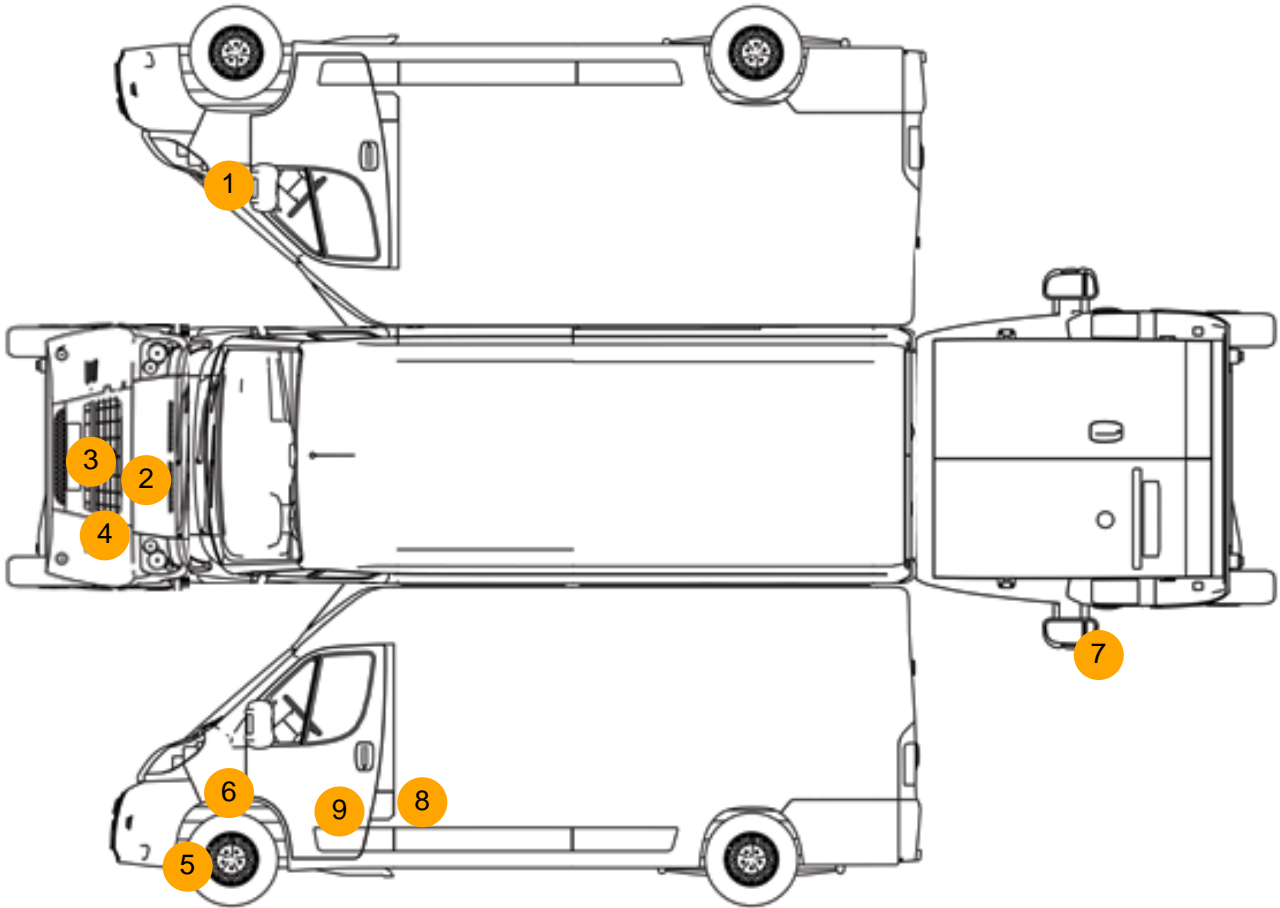
Photos







Condition Check



Damage Photos



1: Wing of
Scratched
Up To 25mm Thru Paint

2: Bonnet
Scratched
Over 25mm Thru Paint



3: Bumper Front Moulding
Scuffed (Unpainted)
Over 100mm

4: Bonnet
Chipped
Multiple Chips



5: Bumper Front Moulding
Scuffed (Unpainted)
Over 100mm

6: Wing of
Rusted
Over 5mm



7: Door Mirror Assy of
Broken
Replace

8: B Post of
Scratched
Over 25mm Thru Paint



9: Door osf
Dented
With Paint Damage

10: Carpets Front
Holed
Over 3mm



11: Seat Base Cover osf
Holed
Over 3mm

Interior

Carpet Condition	Poor		Upholstery Condition	Average
Seat Condition	Poor		Odour	No
Engine Runs		OK	Gearbox 1st and Reverse Test	OK
Brakes		OK	Clutch Slip Test from Static	OK
Parking Brake		OK	Gearbox Static Gear Selection (engine running)	OK
			No Excessive Smoking	OK
EML light illuminated		OK	Oil warning light illuminated	OK
Airbag light illuminated		OK	DPF light illuminated	OK
ABS light illuminated		OK	Service indicator light illuminated	OK