



**COMMERCIAL VEHICLE AUCTIONS LTD**  
THE UK'S MOST ESTABLISHED COMMERCIAL VEHICLE AUCTIONEERS

Carr Hill Industrial Estate  
Doncaster  
DN4 8DE

01302 732600 | cva.noreply@cva-auctions.co.uk

# VEHICLE INSPECTION REPORT

**YH13PBO**

## Ford Transit T330 2.2 TDCI 125PS

### Inspection

Serious Damage? No

### Vehicle

VAT Plus VAT

V5 Present

### Details

Reg. date	06/06/2013	Colour	WHITE	CAP Average	£1,800.00
Year	2013	VIN	WFOXXXTTFXDU80513	CAP Below	£1,200.00
Mileage	45,131 Miles Warranted	Body Style	Panel Van MWB	Gearbox	MANUAL
Fuel Type	Diesel	MOT Due	15/04/2027	Gears	6
GVW	3325kg	CAP Clean	£2,300.00		

HEATED WINDSCREEN

### Tyres

NSF

NSR

OSF

OSR

Spare

## Features

- Rear parking sensor
- Front electric windows
- Central locking

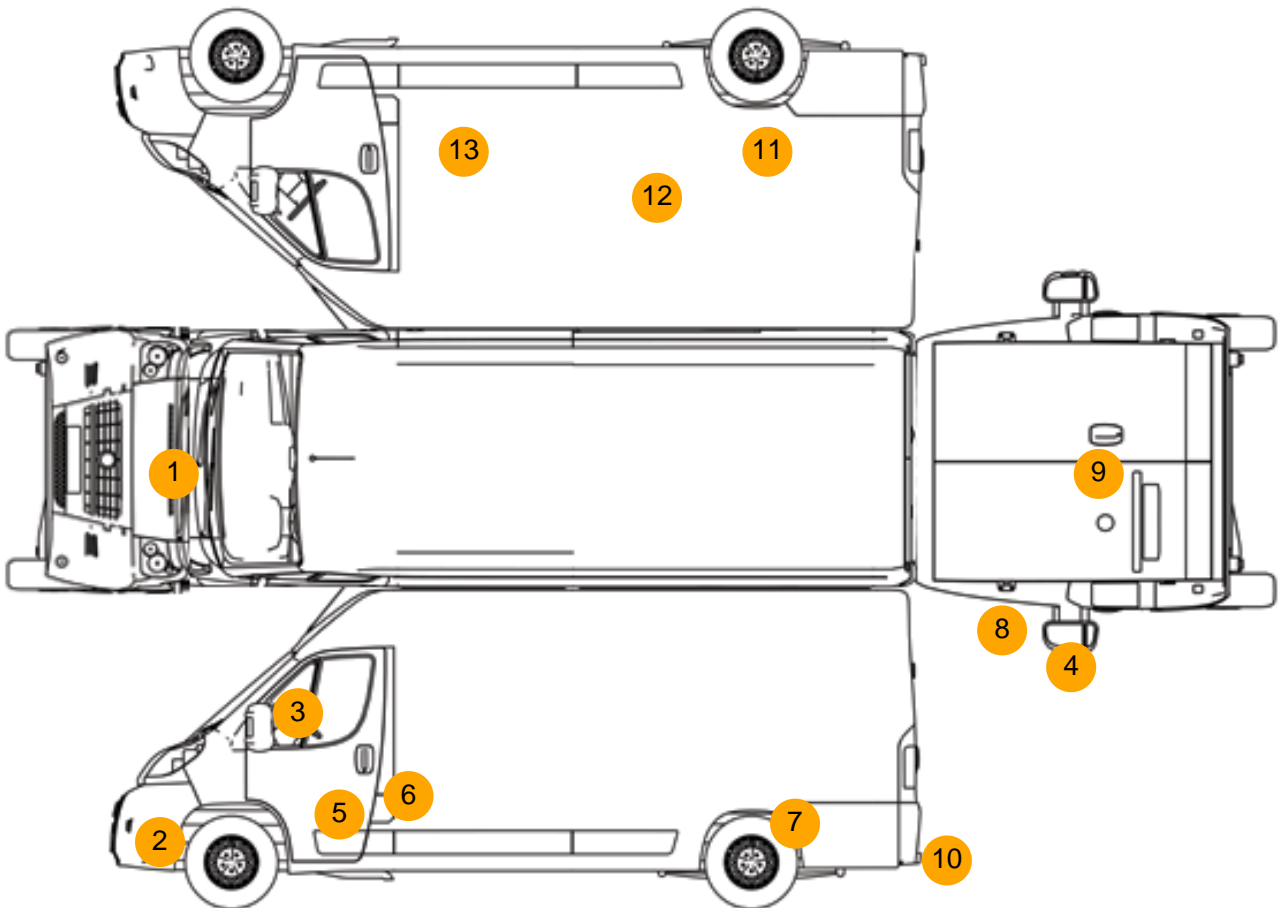
## Photos







## Condition Check



## Damage Photos



1: Bonnet  
Chipped  
Multiple Chips

2: Bumper Front Moulding  
Scuffed (Unpainted)  
Over 100mm



3: A Post ns  
Missing  
Replace

4: Door Mirror Glass ns  
Broken  
Replace



5: Door nsf  
Dented  
With Paint Damage

6: B Post ns  
Dented  
With Paint Damage



7: Panel Rear  
Rusted  
Holed

8: D Post ns  
Scratched  
Over 25mm Thru Paint



9: Door osf  
Scratched  
Over 25mm Thru Paint

10: Bumper Rear Moulding  
Scuffed (Unpainted)  
Over 100mm



11: Panel Rear  
Rusted  
Over 5mm

12: Panel Rear  
Scratched  
UpTo 25mm Thru Paint



13: B Post os  
Rusted  
Over 5mm

14: Seat Base Cover osf  
Holed  
Over 3mm

**Interior**

<b>Carpet Condition</b>	Poor	<b>Upholstery Condition</b>	Average
<b>Seat Condition</b>	Poor	<b>Odour</b>	No
Engine Runs	OK	Gearbox 1st and Reverse Test	OK
Brakes	OK	Clutch Slip Test from Static	OK
Parking Brake	OK	Gearbox Static Gear Selection (engine running)	OK
		No Excessive Smoking	OK
Windows	OK	Radio	OK
		Steering	OK